



**T&S BRASS AND BRONZE WORKS, INC.**  
 2 Saddleback Cove / P.O. Box 1088  
 Travelers Rest, SC 29690

Model No.

**B-0296-BKT**

Item No.

Travelers Rest, SC: 800-476-4103 • Simi Valley, CA: 800-423-0150 • Fax: 864-834-3518 • www.tsbrass.com



**ADA Compliant**

This Space for Architect/Engineer Approval

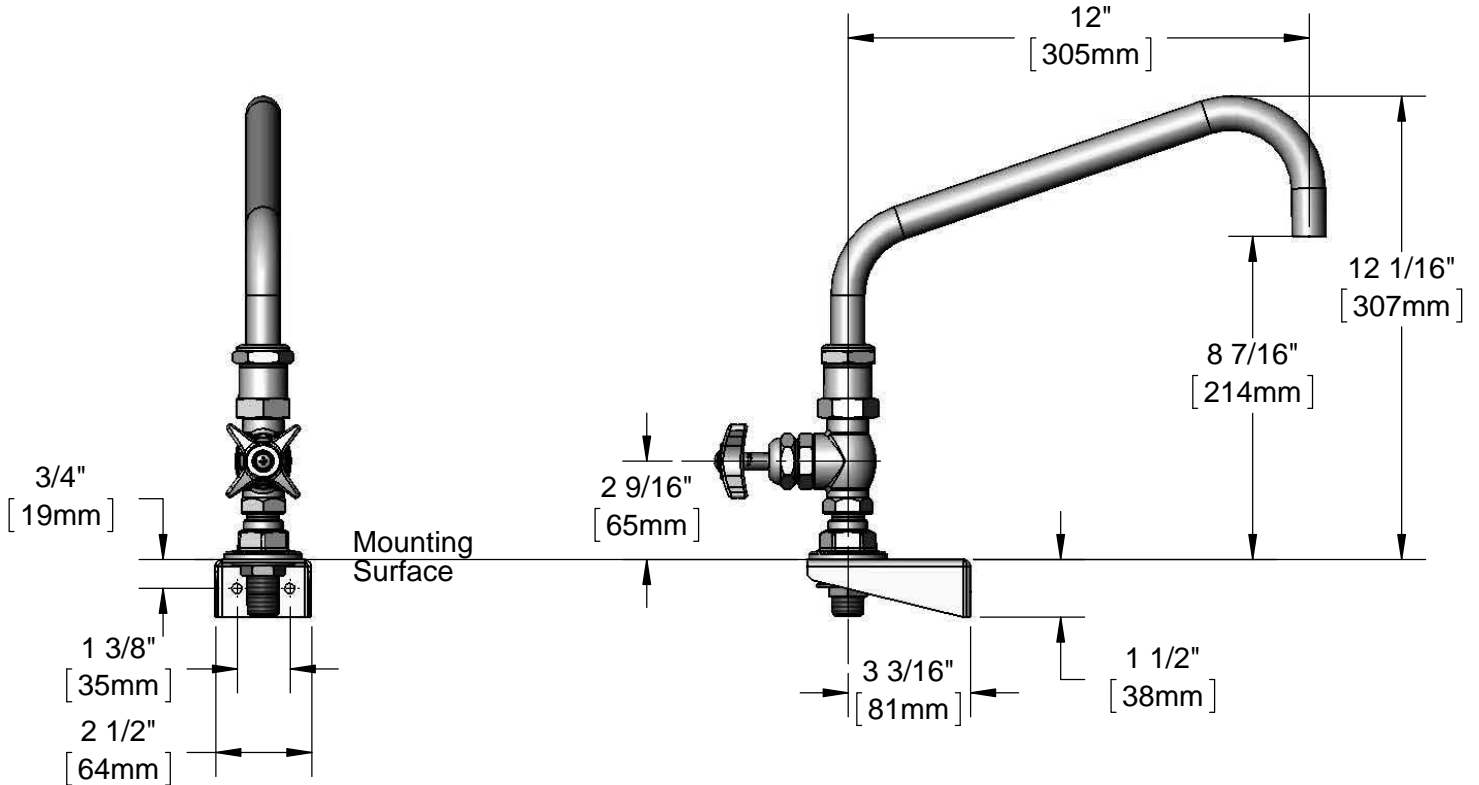
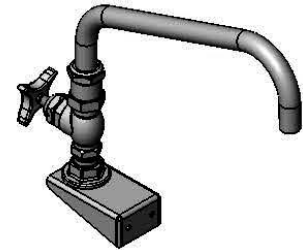
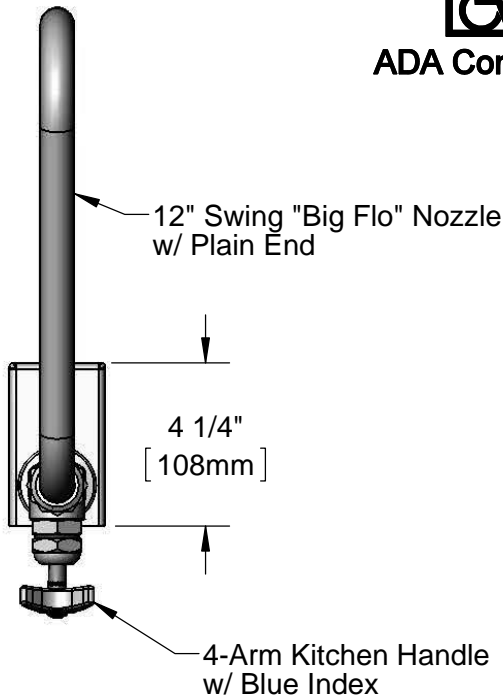
Job Name \_\_\_\_\_ Date \_\_\_\_\_

Model Specified \_\_\_\_\_ Quantity \_\_\_\_\_

Customer/Wholesaler \_\_\_\_\_

Contractor \_\_\_\_\_

Architect/Engineer \_\_\_\_\_



Product Specifications:  
 "Big- Flo" Kettle Filler Faucet w/ 4-Arm Handle, 12" Plain End  
 Nozzle Assembly & Stainless Steel Mounting Bracket

Product Compliance:  
 ASME A112.18.1 / CSA B125.1  
 NSF 61 - Section 9  
 NSF 372 (Low Lead Content)  
 ANSI A117.1 (ADA)

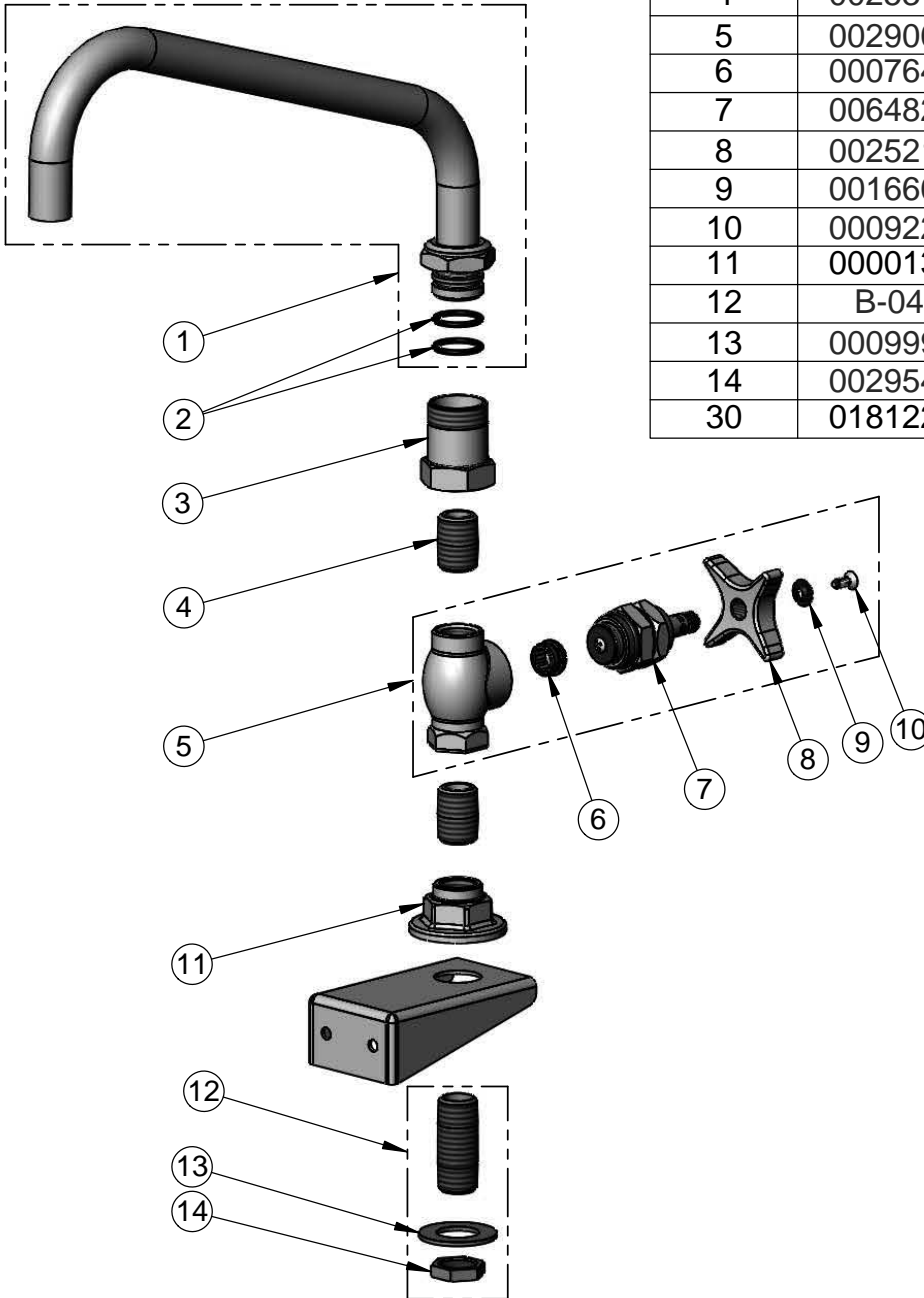


**T&S BRASS AND BRONZE WORKS, INC.**  
 2 Saddleback Cove / P.O. Box 1088  
 Travelers Rest, SC 29690

Model No.  
**B-0296-BKT**  
 Item No.

Travelers Rest, SC: 800-476-4103 • Simi Valley, CA: 800-423-0150 • Fax: 864-834-3518 • www.tsbrass.com

ITEM NO.	SALES NO.	DESCRIPTION
1	114X	12" Big Flo Swing Nozzle Asm
2	001068-45	O-ring
3	000594-25	Swivel Body x 1/2-14 NPT
4	002534-25	Close Nipple, 1/2"
5	002900-40	Valve w/ 4-Arm Handle
6	000764-20	Seat, Big-Flo
7	006482-40	Big-Flo Cartridge, RTC
8	002521-45	4-Arm Handle
9	001660-45	Blue Index-CW
10	000922-45	Lever Handle Screw
11	000013-40	Flange, 1/2" NPT Wall Mount
12	B-0425	1/2" NPT Supply Nipple Kit
13	000999-45	Brass Lock Washer
14	002954-45	Shank Lock Nut
30	018122-45	Mounting Bracket, B-0296-BKT



Product Specifications:  
 "Big- Flo" Kettle Filler Faucet w/ 4-Arm Handle, 12" Plain End  
 Nozzle Assembly & Stainless Steel Mounting Bracket

Product Compliance:  
 ASME A112.18.1 / CSA B125.1  
 NSF 61 - Section 9  
 NSF 372 (Low Lead Content)  
 ANSI A117.1 (ADA)