



T&S BRASS AND BRONZE WORKS, INC.

2 Saddleback Cove / P.O. Box 1088
Travelers Rest, SC 29690

Model No.

B-0296-LN

Item No.

Travelers Rest, SC: 800-476-4103 • Simi Valley, CA: 800-423-0150 • Fax: 864-834-3518 • www.tsbrass.com

This Space for Architect/Engineer Approval

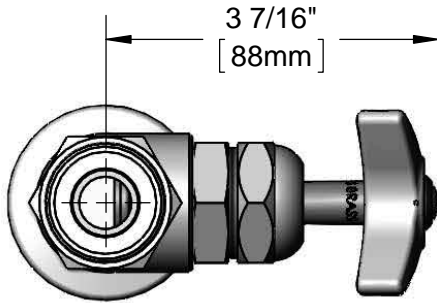
Job Name _____ Date _____

Model Specified _____ Quantity _____

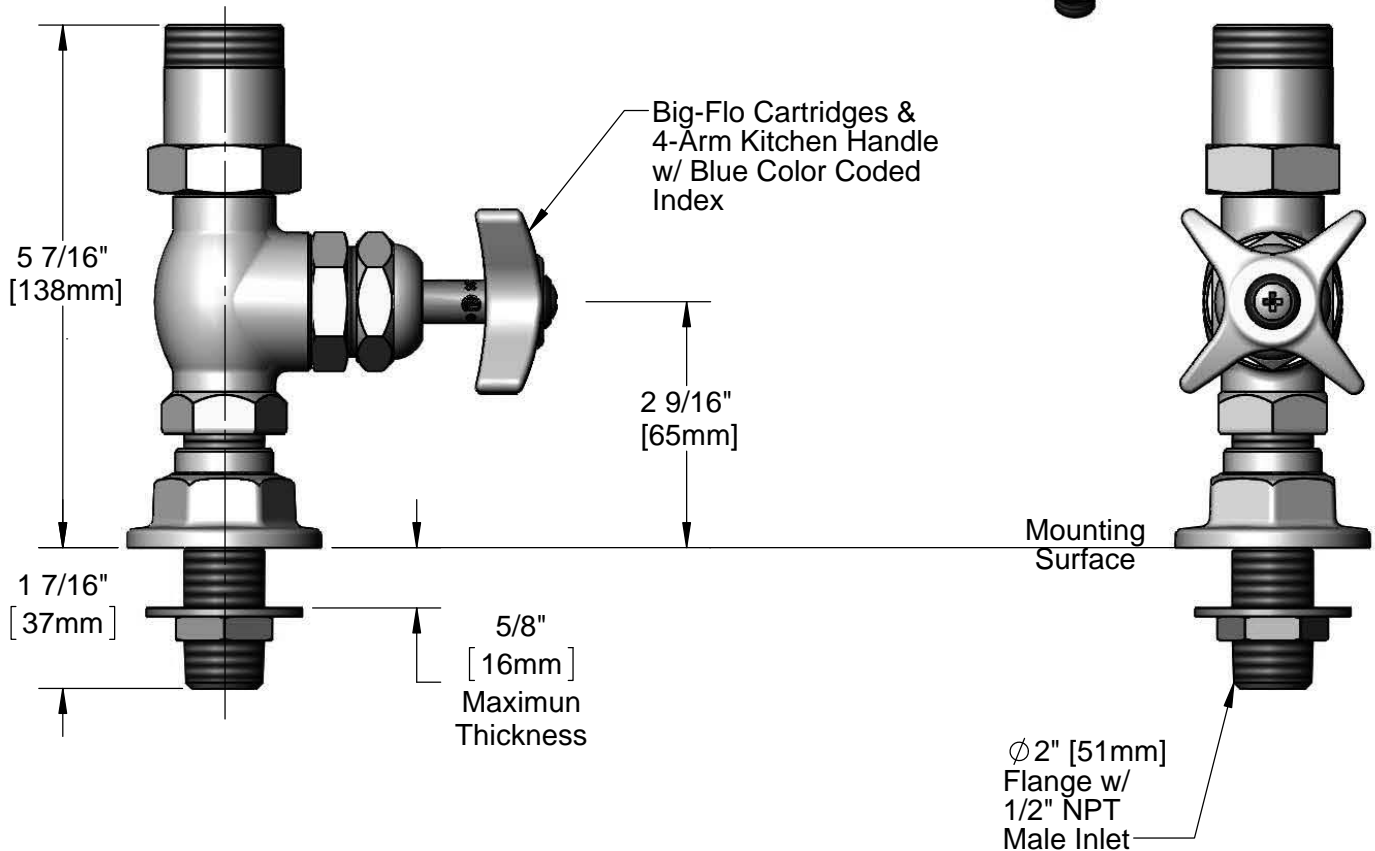
Customer/Wholesaler _____

Contractor _____

Architect/Engineer _____



ADA Compliant



Rough-in Requirement: ϕ 1" [25mm] Mounting Hole

Product Specifications:

Single Hole Single Temperature Faucet, 4-Arm Handle & 1/2" NPT Supply Nipple Kits

Product Compliance:

ASME A112.18.1 / CSA B125.1
NSF 61 - Section 9
NSF 372 (Low Lead Content)
ANSI A117.1 (ADA)



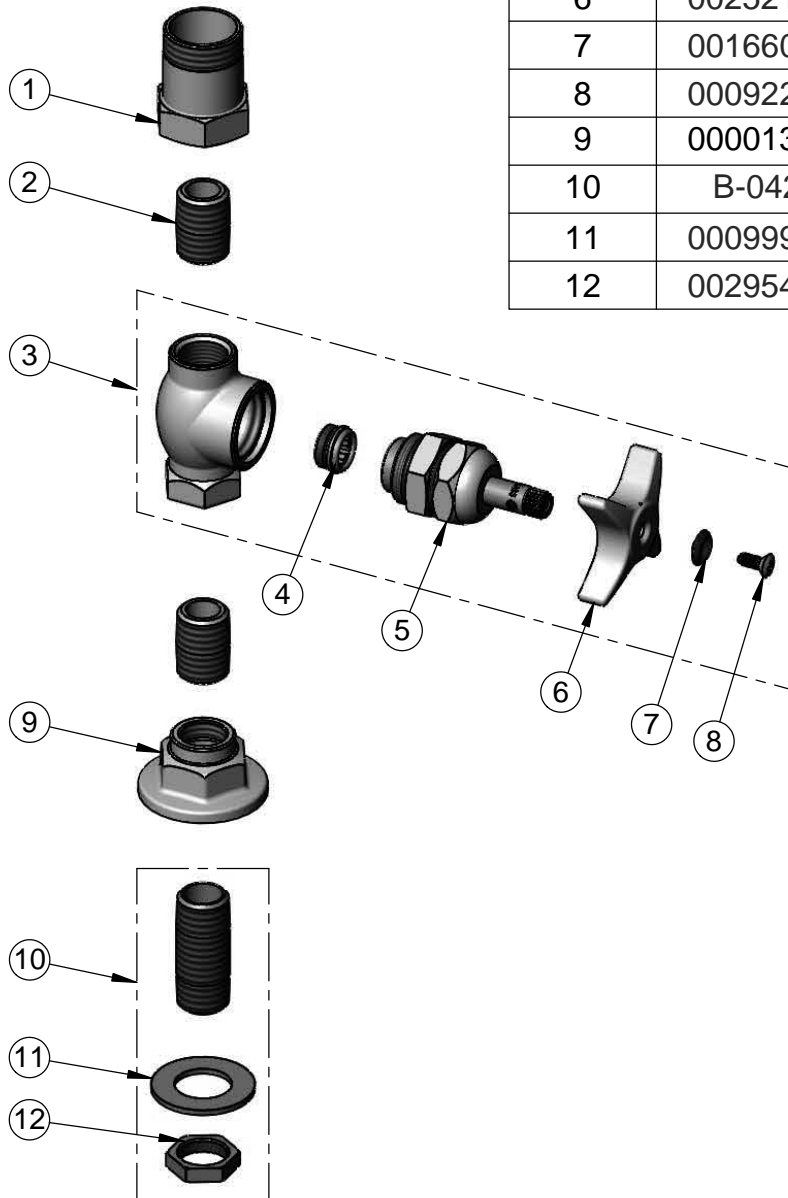
T&S BRASS AND BRONZE WORKS, INC.
 2 Saddleback Cove / P.O. Box 1088
 Travelers Rest, SC 29690

Model No.
B-0296-LN

Item No.

Travelers Rest, SC: 800-476-4103 • Simi Valley, CA: 800-423-0150 • Fax: 864-834-3518 • www.tsbrass.com

ITEM NO.	SALES NO.	DESCRIPTION
1	000594-25	Swivel Body x 1/2-14 NPT
2	002534-25	Close Nipple, 1/2"
3	002900-40	Valve Assembly w/ 4-Arm Handle
4	000764-20	Seat, Big-Flo
5	006482-40	Big-Flo Cartridge, RTC
6	002521-45	4-Arm Handle
7	001660-45	Blue Index-CW
8	000922-45	Lever Handle Screw
9	000013-40	Flange, 1/2" NPT Wall Mount
10	B-0425	Supply Nipple Unit, 1/2" NPT
11	000999-45	Brass Lock Washer
12	002954-45	Shank Lock Nut



Product Specifications:
 Single Hole Single Temperature Faucet, 4-Arm Handle &
 1/2" NPT Supply Nipple Kits

Product Compliance:
 ASME A112.18.1 / CSA B125.1
 NSF 61 - Section 9
 NSF 372 (Low Lead Content)
 ANSI A117.1 (ADA)