



T&S BRASS AND BRONZE WORKS, INC.
 2 Saddleback Cove / P.O. Box 1088
 Travelers Rest, SC 29690

Model No.
B-0300-102A-CR

Item No.

Travelers Rest, SC: 800-476-4103 • Simi Valley, CA: 800-423-0150 • Fax: 864-834-3518 • www.tsbrass.com

This Space for Architect/Engineer Approval

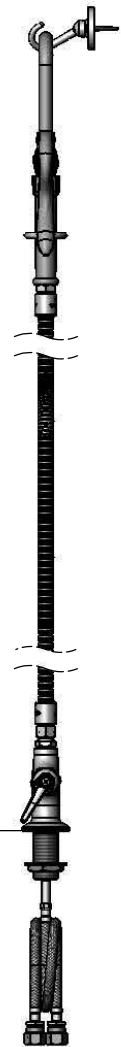
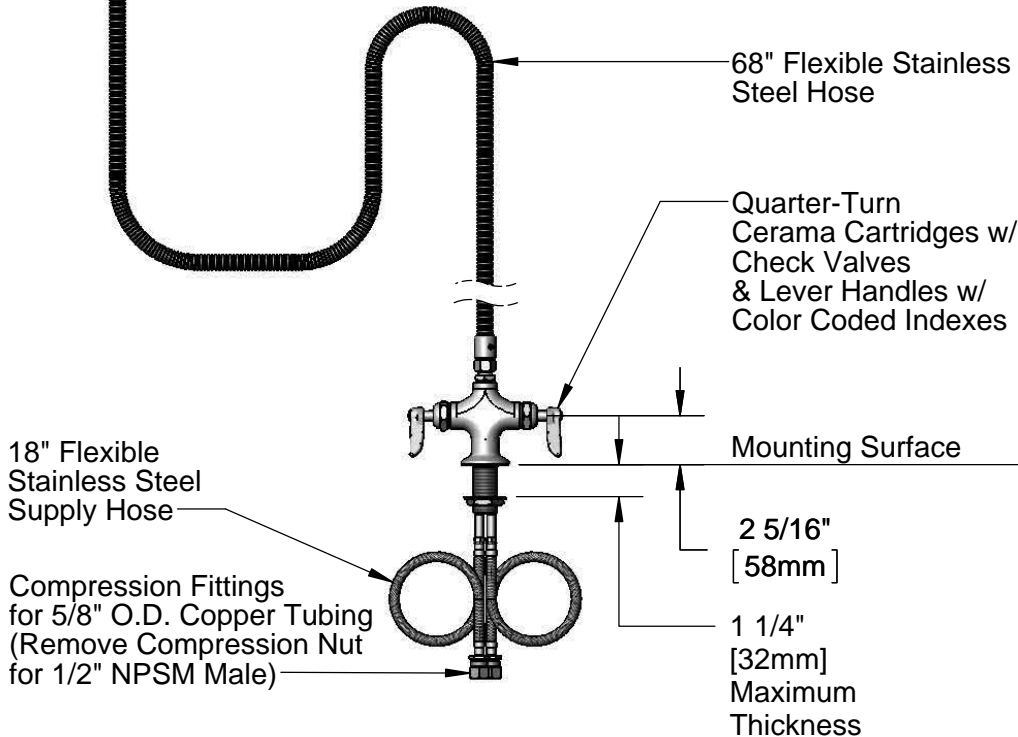
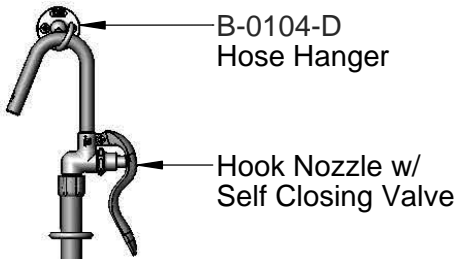
Job Name _____ Date _____

Model Specified _____ Quantity _____

Customer/Wholesaler _____

Contractor _____

Architect/Engineer _____



Rough-In Requirement:
 Ø 1 1/2" [38mm] Mounting Hole

Product Specifications:
 Single Hole Deck Mount Mixing Faucet, Quarter-Turn Cerama Cartridges w/
 Check Valves, Lever Handles, Spray Valve w/ Hook Nozzle, 68" Flexible
 Stainless Steel Hose & 18" Flexible Stainless Steel Supply Hoses w/ 1/2" NPT
 Male Inlets

Product Compliance:
 ASME A112.18.1 / CSA B125.1
 NSF 61 - Section 9
 NSF 372 (Low Lead Content)



T&S BRASS AND BRONZE WORKS, INC.

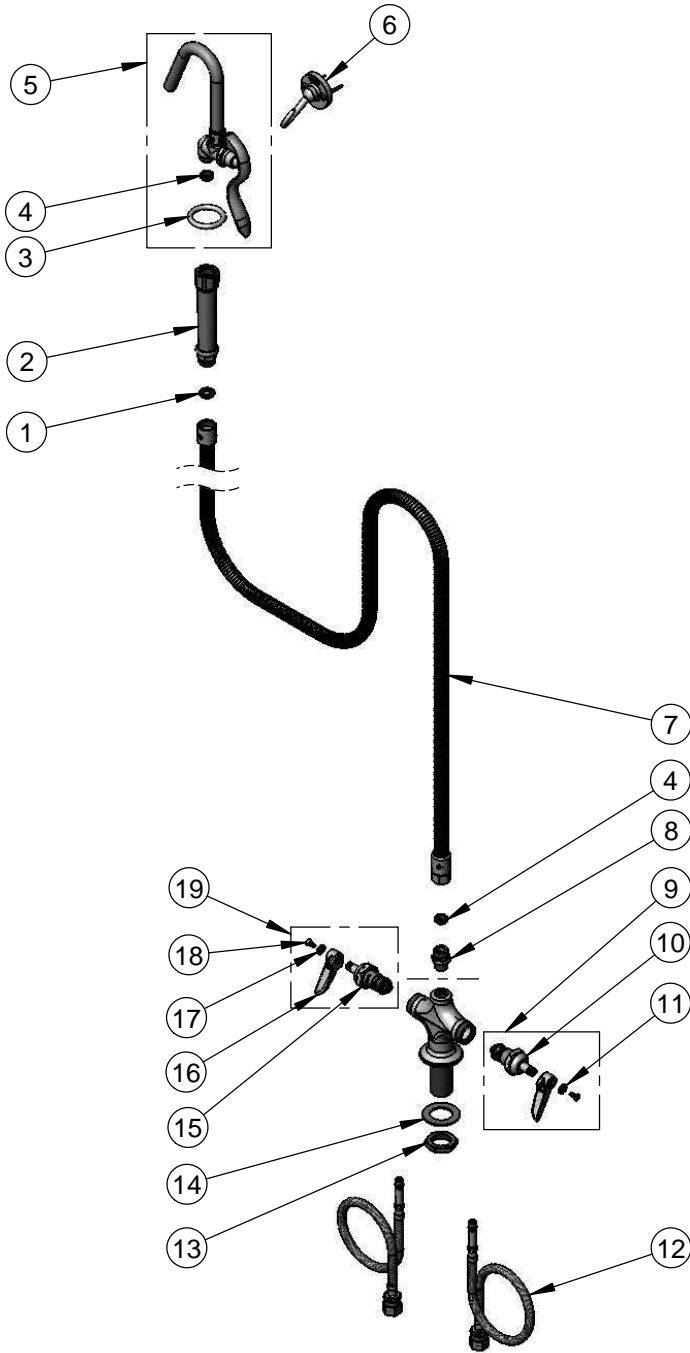
2 Saddleback Cove / P.O. Box 1088
Travelers Rest, SC 29690

Model No.

B-0300-102A-CR

Item No.

Travelers Rest, SC: 800-476-4103 • Simi Valley, CA: 800-423-0150 • Fax: 864-834-3518 • www.tsbrass.com



ITEM NO.	SALES NO.	DESCRIPTION
1	001014-45	Washer, B-0100 Hose Barrel
2	002987-40	Grip Handle
3	000907-45	Spray Valve Hold Down Ring
4	010476-45	#27 Washer
5	002851-40	Hook Nozzle & Spray Valve
6	B-0104-D	Dummy Wall Hook Bracket
7	B-0068-H2A	68" Flexible Stainless Steel Hose, Less Handle
8	053A	Adapter, 3/8" NPT Male
9	012447-25	Quarter-Turn Cerama Cartridge, LTC w/ Check Valve, Handle, Index & Screw
10	012395-25	Quarter-Turn Cerama Cartridge, LTC w/ Check Valve
11	001660-45	Blue Index-CW
12	012534-45	18" Flexible Supply Hose (2)
13	000965-45	Lock Nut
14	002290-45	Lock Washer
15	012394-25	Quarter-Turn Cerama Cartridge, RTC w/ Check Valve
16	001638-45	Lever Handle
17	001661-45	Red Index-HW
18	000922-45	Lever Handle Screw
19	012446-25	Quarter-Turn Cerama Cartridge, RTC w/ Check Valve, Handle, Index & Screw

Product Specifications:

Single Hole Deck Mount Mixing Faucet, Quarter-Turn Cerama Cartridges w/ Check Valves, Lever Handles, Spray Valve w/ Hook Nozzle, 68" Flexible Stainless Steel Hose & 18" Flexible Stainless Steel Supply Hoses w/ 1/2" NPT Male Inlets

Product Compliance:

ASME A112.18.1 / CSA B125.1
NSF 61 - Section 9
NSF 372 (Low Lead Content)