



T&S BRASS AND BRONZE WORKS, INC.
 2 Saddleback Cove / P.O. Box 1088
 Travelers Rest, SC 29690

Model No.
B-0300-A16-WD

Item No.

Travelers Rest, SC: 800-476-4103 • Simi Valley, CA: 800-423-0150 • Fax: 864-834-3518 • www.tsbrass.com

This Space for Architect/Engineer Approval

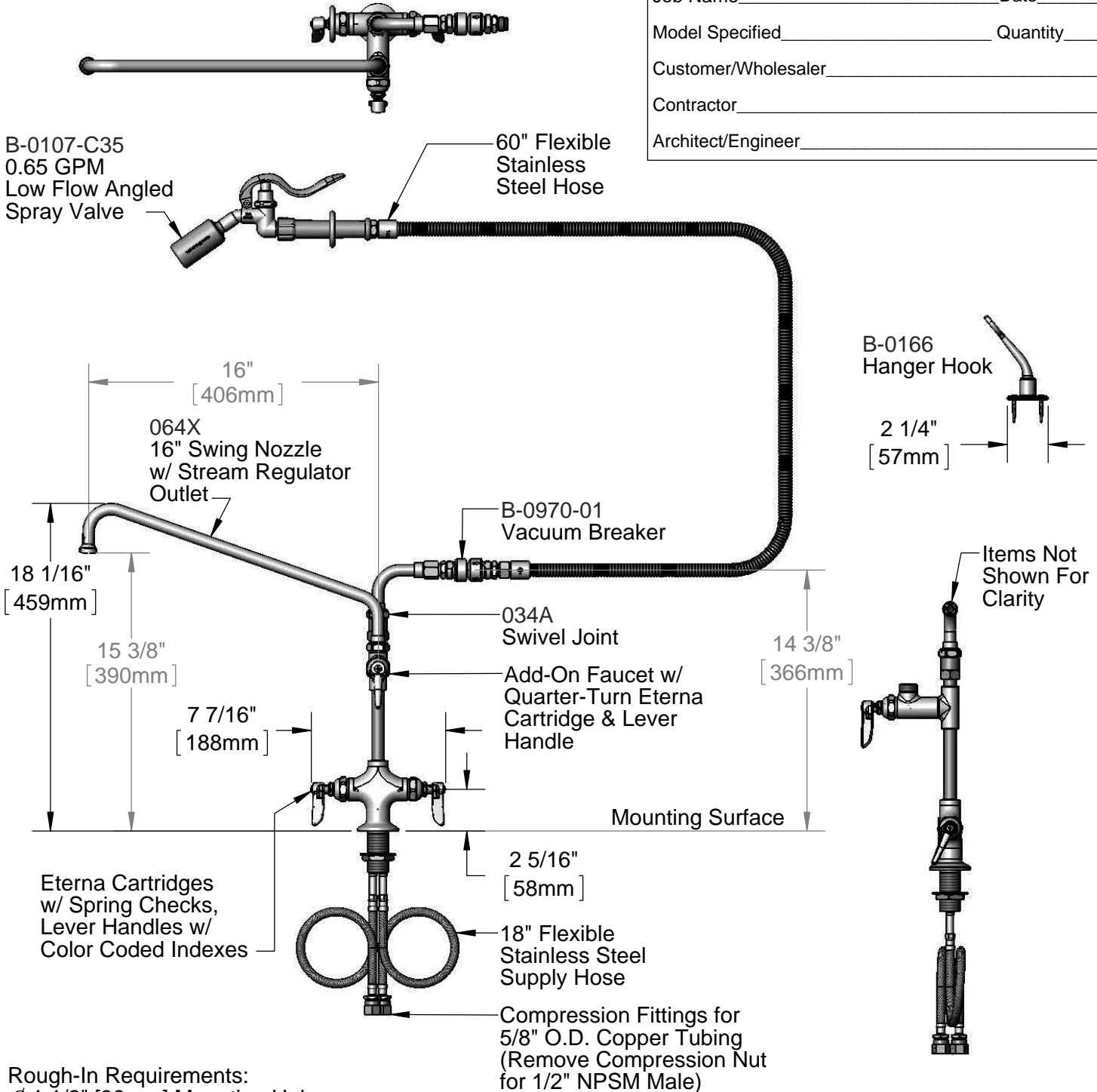
Job Name _____ Date _____

Model Specified _____ Quantity _____

Customer/Wholesaler _____

Contractor _____

Architect/Engineer _____



Rough-In Requirements:
 ϕ 1 1/2" [38mm] Mounting Hole

Product Specifications:
 Double Pantry Deck Mount Faucet, Eterna Cartridges w/ Spring Checks, Add-On Faucet, 16" Swing Nozzle, Stream Regulator Outlet, 0.65 PM Low Flow Spray Valve, 60" Flexible Stainless Steel Hose, Vacuum Breaker, & Flexible Stainless Steel Supply Hoses

Product Compliance:
 ASME A112.18.1 / CSA B125.1
 NSF 61 - Section 9
 NSF 372 (Low Lead Content)
 EPA Act 2005 (PRSV)
 CSA B64.8 (VB)



T&S BRASS AND BRONZE WORKS, INC.

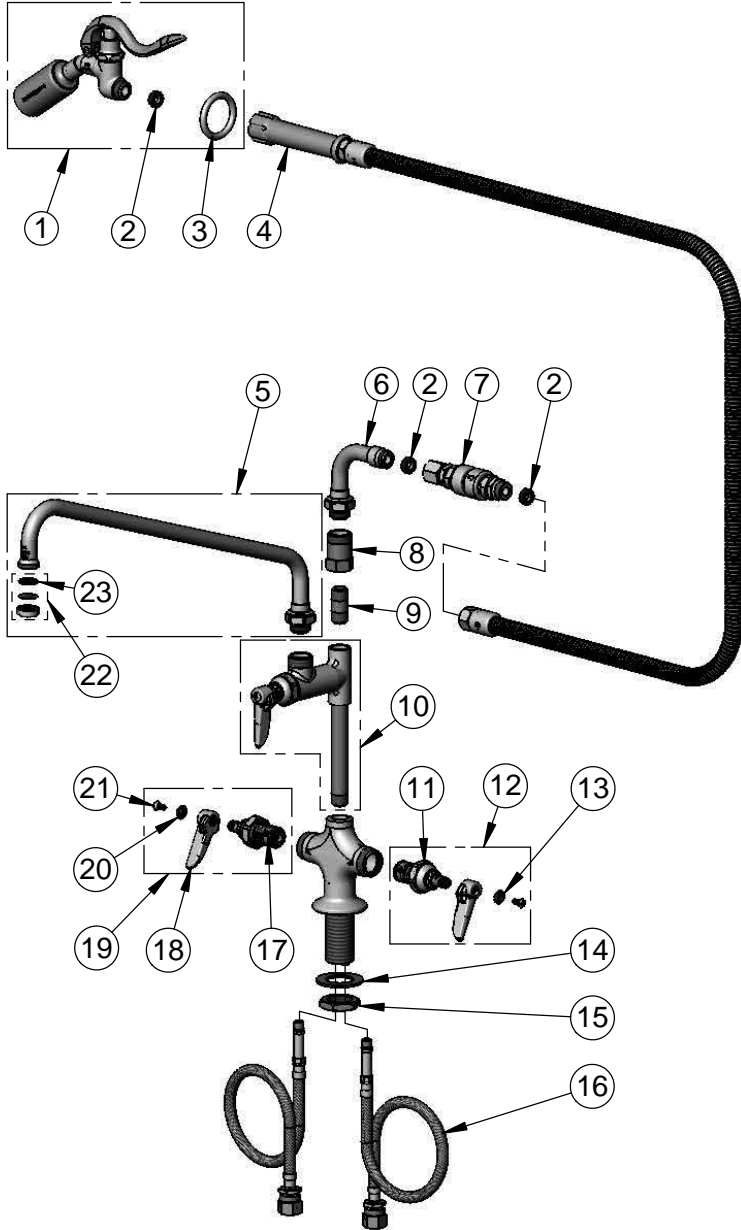
2 Saddleback Cove / P.O. Box 1088
Travelers Rest, SC 29690

Model No.

B-0300-A16-WD

Item No.

Travelers Rest, SC: 800-476-4103 • Simi Valley, CA: 800-423-0150 • Fax: 864-834-3518 • www.tsbrass.com



ITEM NO.	SALES NO.	DESCRIPTION
1	B-0107-C35	0.65 GPM Low Flow Angled Spray Valve
2	010476-45	#27 Washer
3	000907-45	Spray Valve Hold Down Ring
4	B-0060-H	60" Flexible Stainless Steel Hose
5	064X	16" Swing Nozzle
6	034A	Swivel Adapter, 90°
7	B-0970-01	Vacuum Breaker
8	054X	Swivel Body
9	002341-40	3/8" NPT x 1 1/2" Nipple
10	B-0155-05LN	Add-On Faucet, Less Nozzle
11	012442-40	Eterna Cartridge, LTC w/ Spring Check
12	002711-40	Eterna Cartridge, LTC w/ Spring Check, Handle, Index & Screw
13	001660-45	Blue Index-CW
14	002290-45	Lock Washer
15	000965-45	Lock Nut
16	012534-45	18" Flexible Supply Hose (2)
17	012443-40	Eterna Cartridge, RTC w/ Spring Check
18	001638-45	Lever Handle
19	002712-40	Eterna Cartridge, RTC w/ Spring Check, Handle, Index & Screw
20	001661-45	Red Index-HW
21	000922-45	Lever Handle Screw
22	B-PT	Stream Regulator Outlet
23	001048-45	Nozzle Tip Washer

Product Specifications:

Double Pantry Deck Mount Faucet, Eterna Cartridges w/ Spring Checks, Add-On Faucet, 16" Swing Nozzle, Stream Regulator Outlet, 0.65 PM Low Flow Spray Valve, 60" Flexible Stainless Steel Hose, Vacuum Breaker, & Flexible Stainless Steel Supply Hoses

Product Compliance:

ASME A112.18.1 / CSA B125.1
NSF 61 - Section 9
NSF 372 (Low Lead Content)
EPA Act 2005 (PRSV)
CSA B64.8 (VB)