



T&S BRASS AND BRONZE WORKS, INC.

2 Saddleback Cove / P.O. Box 1088
Travelers Rest, SC 29690

Model No.

B-0300-CR

Item No.

Travelers Rest, SC: 800-476-4103 • Simi Valley, CA: 800-423-0150 • Fax: 864-834-3518 • www.tsbrass.com



ADA Compliant

This Space for Architect/Engineer Approval

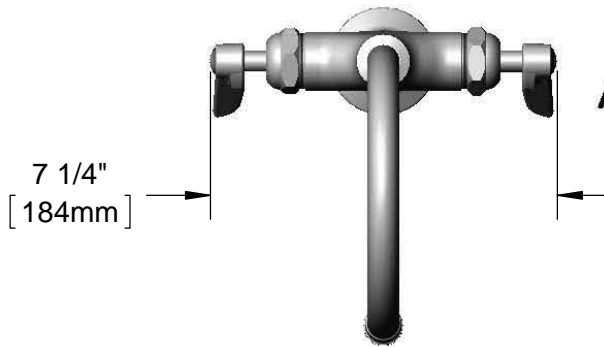
Job Name _____ Date _____

Model Specified _____ Quantity _____

Customer/Wholesaler _____

Contractor _____

Architect/Engineer _____



7 1/4"
[184mm]

13 9/16"
[345mm]

120X
Rigid Gooseneck w/
Stream Regulator Outlet

Cerama Cartridges
& Lever Handles w/
Color Coded Indexes

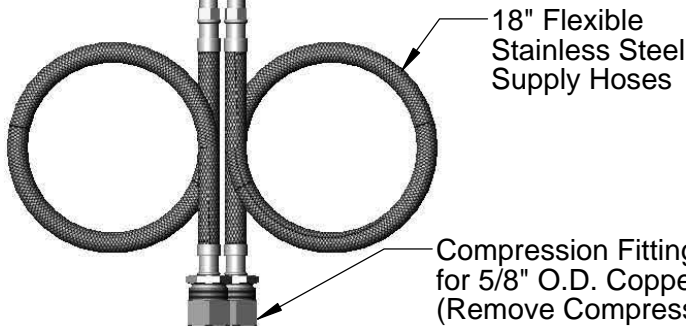
2 5/16"
[58mm]

Mounting
Surface

8 9/16"
[217mm]

5 1/2"
[140mm]

1 3/8" [35mm]
Maximum
Thickness



18" Flexible
Stainless Steel
Supply Hoses

Compression Fittings
for 5/8" O.D. Copper Tubing
(Remove Compression Nut
for 1/2" NPSM Male)

Rough-In Requirement:
Ø 1 1/2" [38mm] Mounting Hole

Product Specifications:

Single Hole Deck Mount Mixing Faucet, Cerama Cartridges, Lever Handles w/ Color Coded Indexes, Rigid Gooseneck w/ Stream Regulator Outlet & 18" Flexible Stainless Steel Supply Hoses w/ 1/2" NPSM Male Inlets

Product Compliance:

ASME A112.18.1 / CSA B125.1
NSF 61 - Section 9
NSF 372 (Low Lead Content)
ANSI A117.1 (ADA)



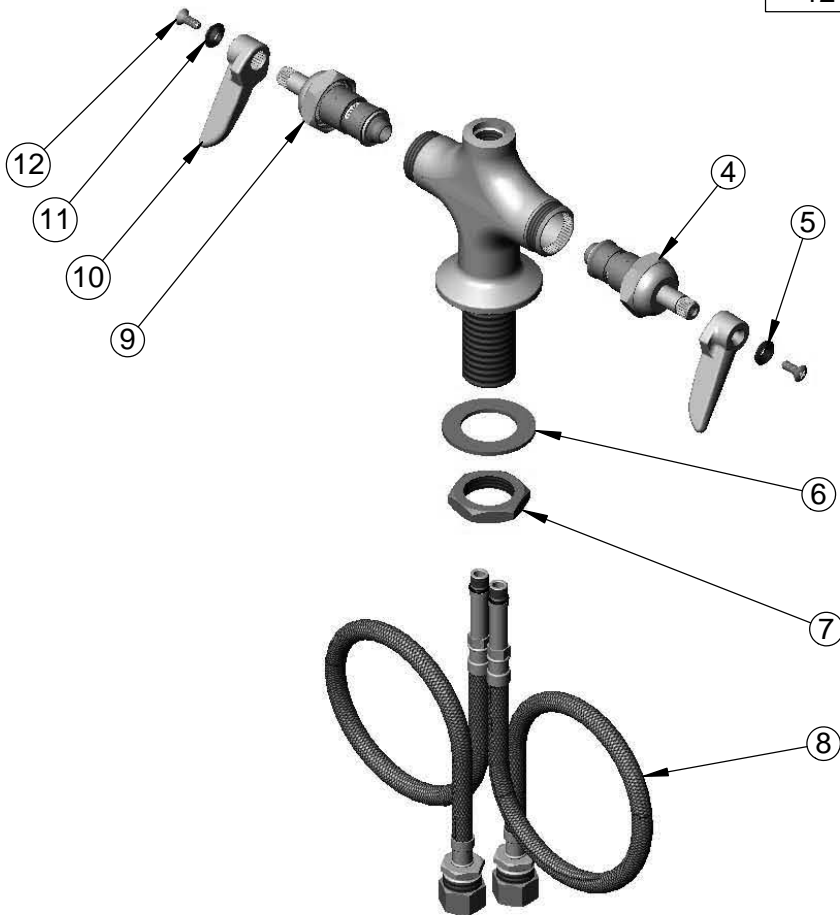
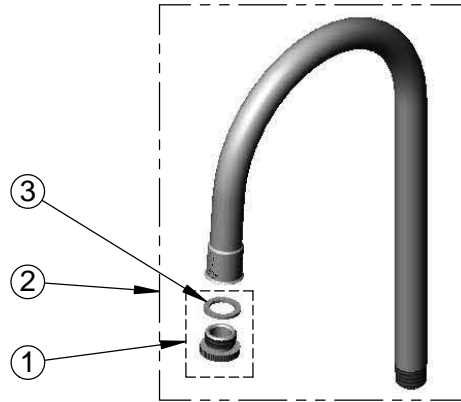
T&S BRASS AND BRONZE WORKS, INC.
 2 Saddleback Cove / P.O. Box 1088
 Travelers Rest, SC 29690

Model No.
B-0300-CR

Item No.

Travelers Rest, SC: 800-476-4103 • Simi Valley, CA: 800-423-0150 • Fax: 864-834-3518 • www.tsbrass.com

ITEM NO.	SALES NO.	DESCRIPTION
1	B-LT	Stream Regulator Outlet
2	120X	Rigid Gooseneck
3	001043-45	Washer
4	011279-25	Cerama Cartridge - LTC
5	001660-45	Blue Index-CW
6	002290-45	Lock Washer
7	000965-45	Lock Nut
8	012534-45	18" Flexible Supply Hose (2)
9	011278-25	Cerama Cartridge - RTC
10	001638-45	Lever Handle
11	001661-45	Red Index-HW
12	000922-45	Lever Handle Screw



Product Specifications:
 Single Hole Deck Mount Mixing Faucet, Cerama Cartridges,
 Lever Handles w/ Color Coded Indexes, Rigid Gooseneck
 w/ Stream Regulator Outlet & 18" Flexible Stainless Steel
 Supply Hoses w/ 1/2" NPSM Male Inlets

Product Compliance:
 ASME A112.18.1 / CSA B125.1
 NSF 61 - Section 9
 NSF 372 (Low Lead Content)
 ANSI A117.1 (ADA)