



T&S BRASS AND BRONZE WORKS, INC.

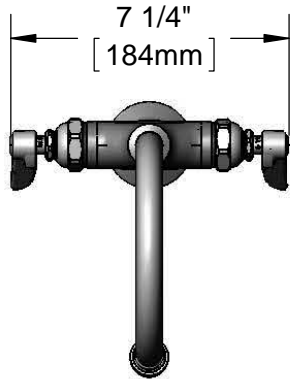
2 Saddleback Cove / P.O. Box 1088
Travelers Rest, SC 29690

Model No.

B-0300-VR

Item No.

Travelers Rest, SC: 800-476-4103 • Simi Valley, CA: 800-423-0150 • Fax: 864-834-3518 • www.tsbrass.com



7 1/4"
[184mm]



ADA Compliant

This Space for Architect/Engineer Approval

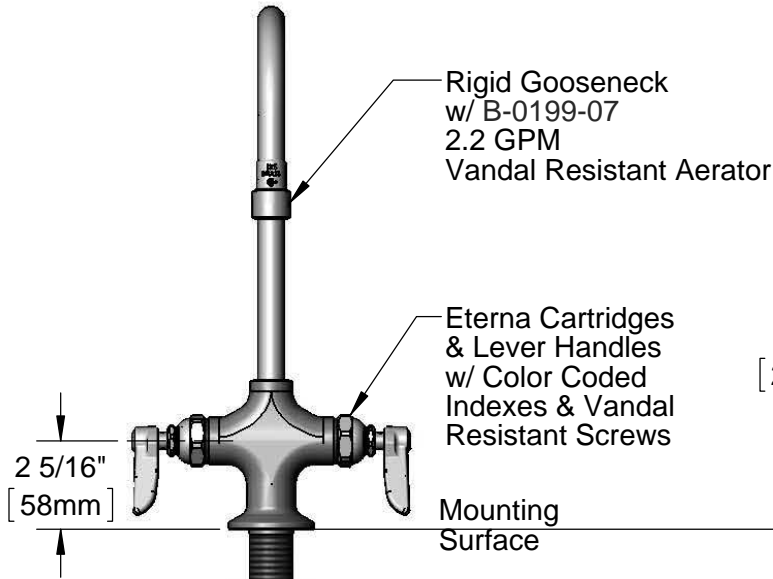
Job Name _____ Date _____

Model Specified _____ Quantity _____

Customer/Wholesaler _____

Contractor _____

Architect/Engineer _____

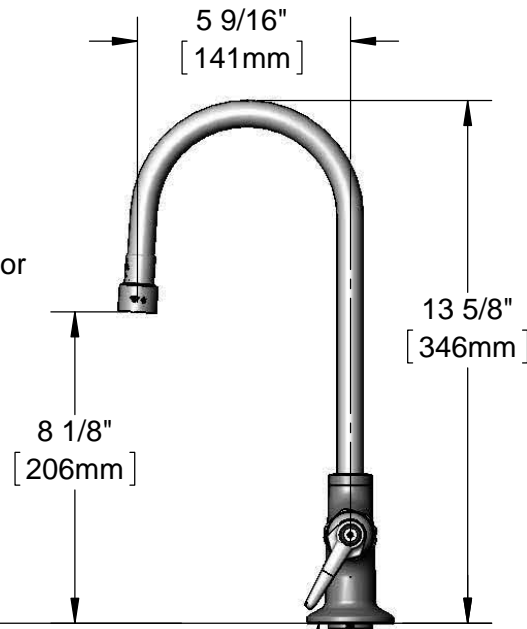


Rigid Gooseneck
w/ B-0199-07
2.2 GPM
Vandal Resistant Aerator

Eterna Cartridges
& Lever Handles
w/ Color Coded
Indexes & Vandal
Resistant Screws

Mounting
Surface

2 5/16"
[58mm]



5 9/16"
[141mm]

8 1/8"
[206mm]

13 5/8"
[346mm]



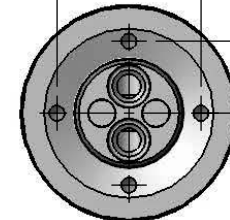
Ø 2 1/4"
[57mm]
Base Flange
w/ Anti-Rotation
Screws

1 3/8"
[35mm]
Maximum
Thickness

18" Flexible
Stainless Steel
Supply Hoses

Compression Fittings
for 5/8" O.D. Copper Tubing
(Remove Compression Nut
for 1/2" NPSM Male)

1 1/2"
[38mm]



3/4"
[19mm]

Bottom View
Scale 1:2

Rough-In Requirement:
Ø 1 1/2" [38mm] Mounting Hole

Product Specifications:

Single Hole Deck Mount Mixing Faucet, Eterna Cartridges, Lever Handles w/ Vandal Resistant Screws, 5 9/16" Rigid Gooseneck w/ 2.2 GPM Vandal Resistant Aerator, 18" Flexible Stainless Steel Supply Hoses w/ 1/2" NPSM Male Inlets & Vandal Resistant Anti-Rotational Pins

Product Compliance:

ASME A112.18.1 / CSA B125.1
NSF 61 - Section 9
NSF 372 (Low Lead Content)
ANSI A117.1 (ADA)



T&S BRASS AND BRONZE WORKS, INC.

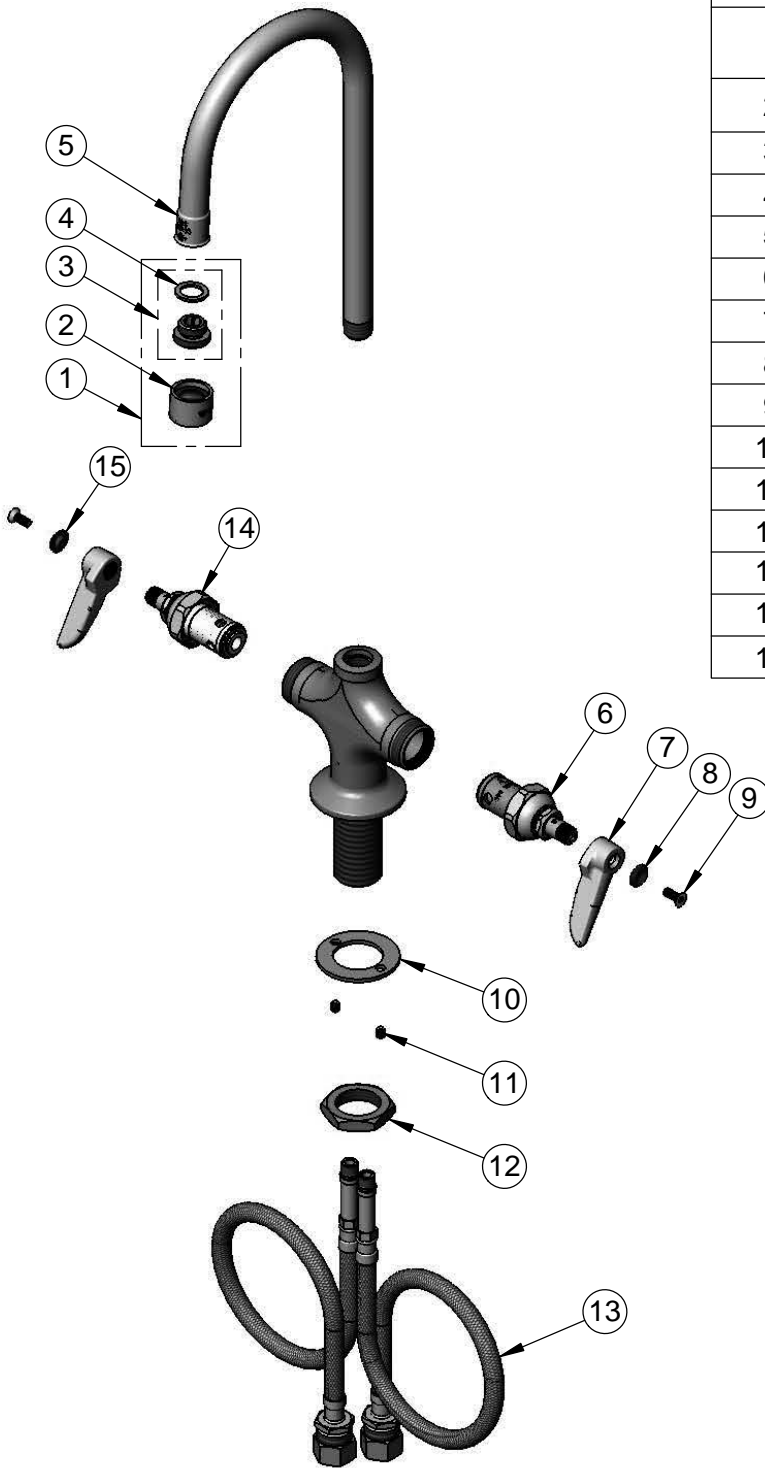
2 Saddleback Cove / P.O. Box 1088
Travelers Rest, SC 29690

Model No.

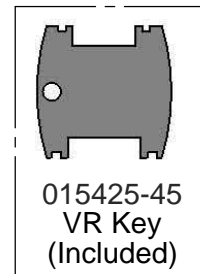
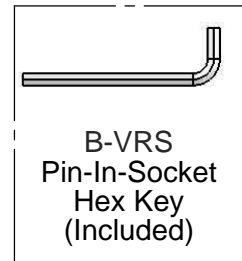
B-0300-VR

Item No.

Travelers Rest, SC: 800-476-4103 • Simi Valley, CA: 800-423-0150 • Fax: 864-834-3518 • www.tsbrass.com



ITEM NO.	SALES NO.	DESCRIPTION
1	B-0199-07	VR 2.2 GPM Aerator, 3/8" NPSM Male w/ Key
2	B-0199-06	VR 2.2 GPM Aerator, 55/64-27 Female
3	044A	3/8" to Aerator Adapter
4	001043-45	Washer
5	000398-40	Rigid Gooseneck
6	005959-40	Cerama Cartridge, RTC
7	001638-45	Lever Handle
8	001660-45	Blue Index-CW
9	010586-45	Pin-In-Socket Screw
10	013039-20	Washer, VR Shank
11	012698-45	Anti-Rotation Pin (2)
12	000965-45	Lock Nut
13	012534-45	18" Flexible Supply Hose (2)
14	005960-40	Eterna Cartridge, RTC
15	001661-45	Red Index-HW



Product Specifications:

Single Hole Deck Mount Mixing Faucet, Eterna Cartridges, Lever Handles w/ Vandal Resistant Screws, 5 9/16" Rigid Gooseneck w/ 2.2 GPM Vandal Resistant Aerator, 18" Flexible Stainless Steel Supply Hoses w/ 1/2" NPSM Male Inlets & Vandal Resistant Anti-Rotational Pins

Product Compliance:

ASME A112.18.1 / CSA B125.1
NSF 61 - Section 9
NSF 372 (Low Lead Content)
ANSI A117.1 (ADA)