



T&S BRASS AND BRONZE WORKS, INC.

2 Saddleback Cove / P.O. Box 1088
Travelers Rest, SC 29690

Model No.

B-0300-WD

Item No.

Travelers Rest, SC: 800-476-4103 • Simi Valley, CA: 800-423-0150 • Fax: 864-834-3518 • www.tsbrass.com

This Space for Architect/Engineer Approval

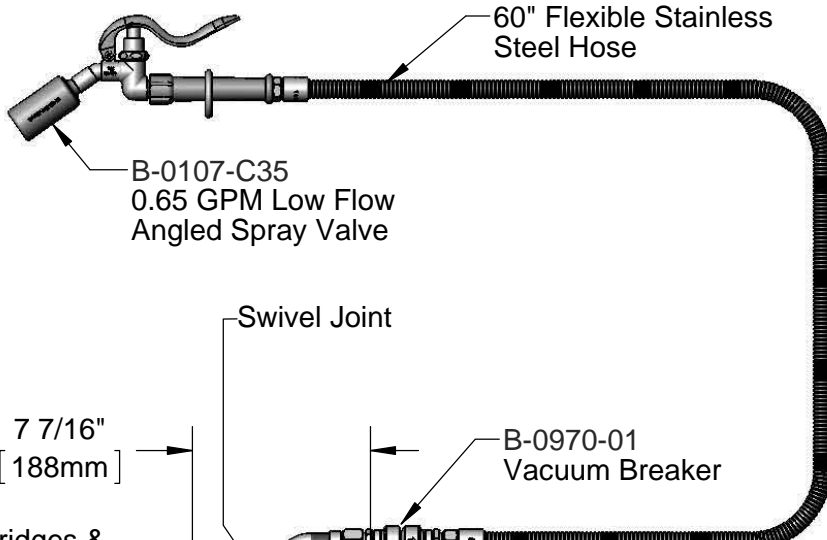
Job Name _____ Date _____

Model Specified _____ Quantity _____

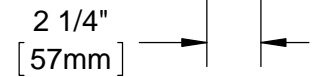
Customer/Wholesaler _____

Contractor _____

Architect/Engineer _____

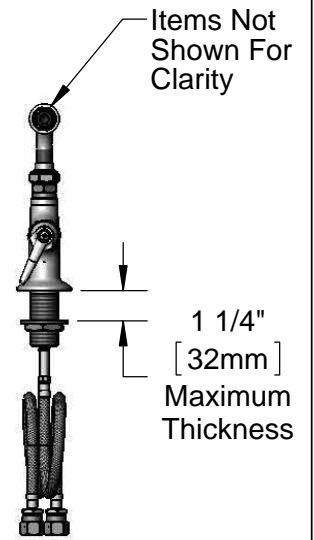


B-0166
Hanger Hook



Eterna Cartridges &
Lever Handles w/
Color Coded Indexes

Items Not
Shown For
Clarity



Rough-In Requirement:
Ø 1 1/2" [38mm] Mounting Hole

Product Specifications:

Single Hole Deck Mount Mixing Faucet, Eterna Cartridges w/ Spring Checks, 0.65 GPM Low Flow Spray Valve, 60" Flexible Stainless Steel Hose, Vacuum Breaker & 18" Flexible Supply Hoses

Product Compliance:

ASME A112.18.1 / CSA B125.1
NSF 61 - Section 9
NSF 372 (Low Lead Content)
EPA Act 2005 (PRSV)
CSA B64.8 (VB)

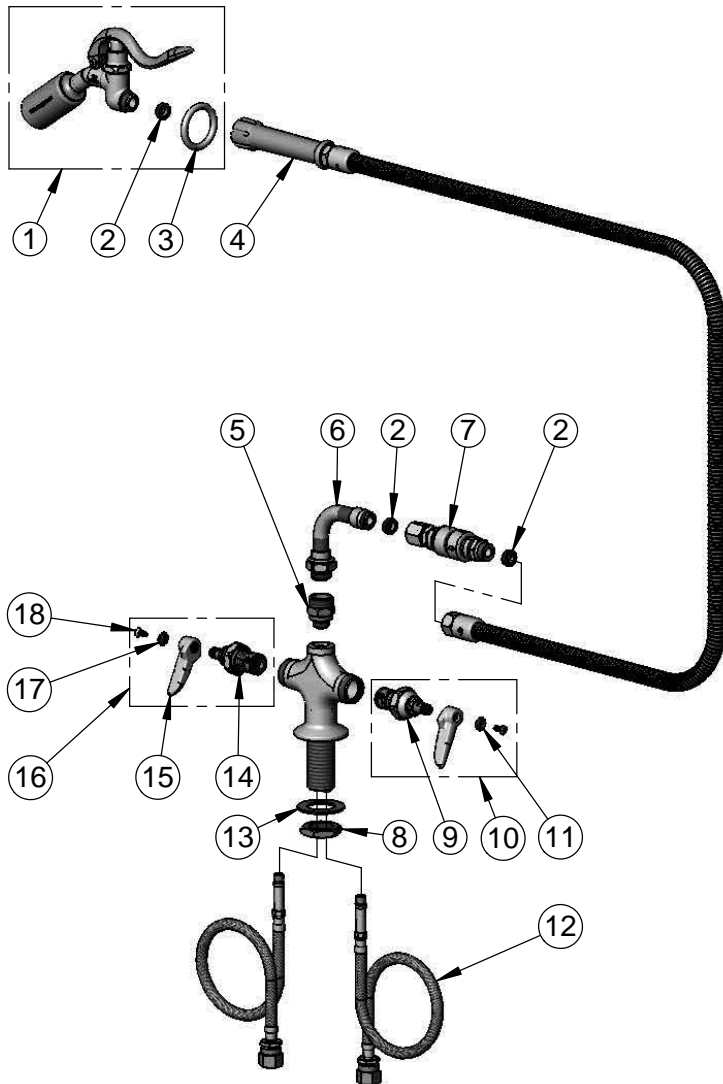


T&S BRASS AND BRONZE WORKS, INC.
 2 Saddleback Cove / P.O. Box 1088
 Travelers Rest, SC 29690

Model No.
B-0300-WD

Item No.

Travelers Rest, SC: 800-476-4103 • Simi Valley, CA: 800-423-0150 • Fax: 864-834-3518 • www.tsbrass.com



ITEM NO.	SALES NO.	DESCRIPTION
1	B-0107-C35	0.65 GPM Angled Spray Valve
2	010476-45	#27 Washer
3	000907-45	Spray Valve Hold Down Ring
4	B-0060-H	60" Flexible Stainless Steel Hose
5	B-0412	Rigid to Swivel Adapter
6	034A	Swivel Adapter, 90°
7	B-0970-01	Vacuum Breaker
8	000965-45	Lock Nut
9	012442-40	Eterna Cartridge, LTC w/ Spring Check
10	002711-40	Eterna Cartridge, LTC w/ Spring Check, Handle, Index & Screw
11	001660-45	Blue Index-CW
12	012534-45	18" Flexible Supply Hose (2)
13	002290-45	Lock Washer
14	012443-40	Eterna Cartridge, RTC w/ Spring Check
15	001638-45	Lever Handle
16	002712-40	Eterna Cartridge, RTC w/ Spring Check, Handle, Index & Screw
17	001661-45	Red Index-HW
18	000922-45	Lever Handle Screw

Product Specifications:
 Single Hole Deck Mount Mixing Faucet, Eterna Cartridges w/ Spring Checks, 0.65 GPM Low Flow Spray Valve, 60" Flexible Stainless Steel Hose, Vacuum Breaker & 18" Flexible Supply Hoses

Product Compliance:
 ASME A112.18.1 / CSA B125.1
 NSF 61 - Section 9
 NSF 372 (Low Lead Content)
 EPA Act 2005 (PRSV)
 CSA B64.8 (VB)