



T&S BRASS AND BRONZE WORKS, INC.

2 Saddleback Cove / P.O. Box 1088
Travelers Rest, SC 29690

Model No.

B-0300-WH4

Item No.

Travelers Rest, SC: 800-476-4103 • Simi Valley, CA: 800-423-0150 • Fax: 864-834-3518 • www.tsbrass.com



ADA Compliant

This Space for Architect/Engineer Approval

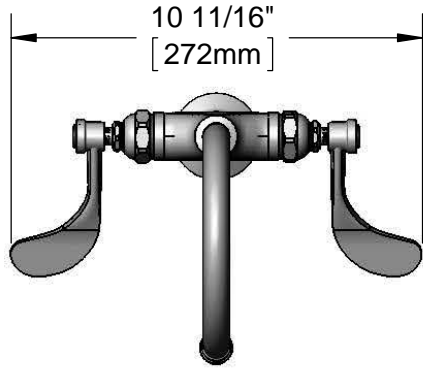
Job Name _____ Date _____

Model Specified _____ Quantity _____

Customer/Wholesaler _____

Contractor _____

Architect/Engineer _____



10 11/16"
[272mm]

120X
Rigid Gooseneck
w/ Stream
Regulator Outlet

Eterna Cartridges
& 4" Wrist Action
Handles w/ Color
Coded Indexes

2 5/16"
[58mm]

Mounting Surface

5 1/2"
[140mm]

8 9/16"
[218mm]

13 5/8"
[346mm]

18" Flexible
Stainless Steel
Supply Hoses

Ø 2 1/4"
[57mm]
Base Flange

1 3/8"
[35mm]
Maximum
Thickness

Compression Fittings
for 5/8" O.D. Copper Tubing
(Remove Compression Nut
for 1/2" NPSM Male)

Rough-In Requirement:
Ø 1 1/2" [38mm] Mounting Hole

Product Specifications:

Single Hole Deck Mount Mixing Faucet, Eterna Cartridges, 4" Wrist Action Handles, 5 9/16" Rigid Gooseneck w/ Stream Regulator Outlet, 18" Flexible Stainless Steel Supply Hoses w/ 1/2" NPSM Male Inlets

Product Compliance:

ASME A112.18.1 / CSA B125.1
NSF 61 - Section 9
NSF 372 (Low Lead Content)
ANSI A117.1 (ADA)



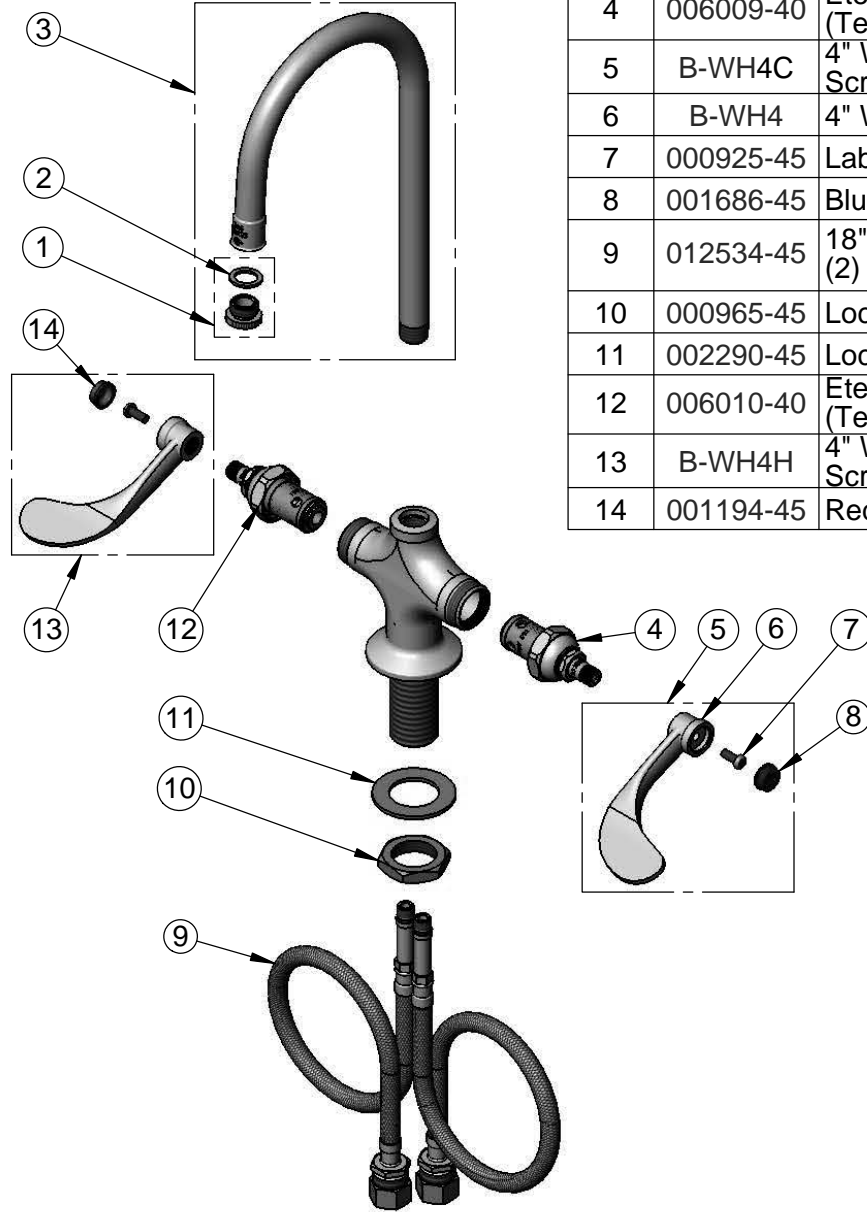
T&S BRASS AND BRONZE WORKS, INC.
 2 Saddleback Cove / P.O. Box 1088
 Travelers Rest, SC 29690

Model No.
B-0300-WH4

Item No.

Travelers Rest, SC: 800-476-4103 • Simi Valley, CA: 800-423-0150 • Fax: 864-834-3518 • www.tsbrass.com

ITEM NO.	SALES NO.	DESCRIPTION
1	B-LT	Stream Regulator Outlet
2	001043-45	Washer
3	120X	Rigid Gooseneck
4	006009-40	Eterna Cartridge, LTC (Teflon)
5	B-WH4C	4" Wrist Action Handle, Screw & Cold Index
6	B-WH4	4" Wrist Action Handle
7	000925-45	Lab Handle Screw
8	001686-45	Blue Index - CW
9	012534-45	18" Flexible Supply Hose (2)
10	000965-45	Lock Nut
11	002290-45	Lock Washer
12	006010-40	Eterna Cartridge, RTC (Teflon)
13	B-WH4H	4" Wrist Action Handle, Screw & Hot Index
14	001194-45	Red Index - HW



Product Specifications:

Single Hole Deck Mount Mixing Faucet, Eterna Cartridges, 4" Wrist Action Handles, 5 9/16" Rigid Gooseneck w/ Stream Regulator Outlet, 18" Flexible Stainless Steel Supply Hoses w/ 1/2" NPSM Male Inlets

Product Compliance:

ASME A112.18.1 / CSA B125.1
 NSF 61 - Section 9
 NSF 372 (Low Lead Content)
 ANSI A117.1 (ADA)