



T&S BRASS AND BRONZE WORKS, INC.

2 Saddleback Cove / P.O. Box 1088
Travelers Rest, SC 29690

Model No.

B-0300

Item No.

Travelers Rest, SC: 800-476-4103 • Simi Valley, CA: 800-423-0150 • Fax: 864-834-3518 • www.tsbrass.com



ADA Compliant

This Space for Architect/Engineer Approval

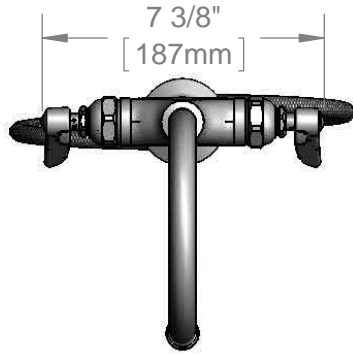
Job Name _____ Date _____

Model Specified _____ Quantity _____

Customer/Wholesaler _____

Contractor _____

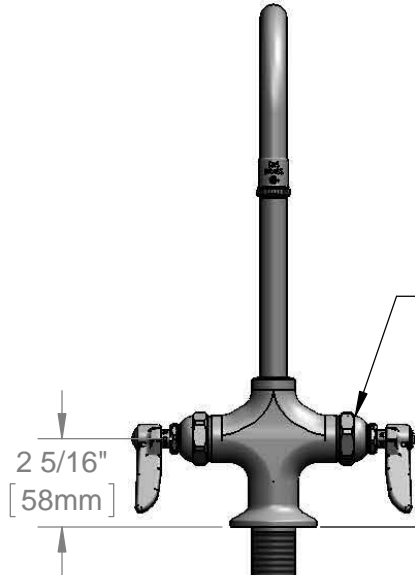
Architect/Engineer _____



7 3/8"
[187mm]



120X
5 1/2" Rigid Gooseneck
w/ Stream Regulator
Outlet



2 5/16"
[58mm]

Eterna Cartridges
& Lever Handles
w/ Color Coded
Indexes

Mounting Surface

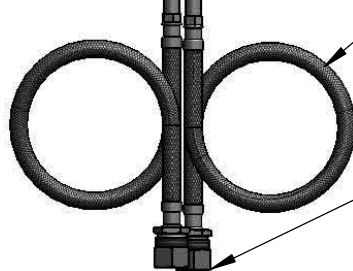


8 9/16"
[218mm]

5 1/2"
[140mm]

13 5/8"
[346mm]

Ø 2 1/4" [57mm] Flange
w/ Ø 1 1/8" [29mm] Shaft



18" Flexible
Stainless Steel
Supply Hoses

Compression Fittings
for 5/8" O.D. Copper Tubing
(Remove Compression Nut
for 1/2" NPSM Male)

1 3/8"
[35mm]
Maximum
Thickness

Rough-In Requirement:
Ø 1 1/2" [38mm] Mounting Hole

Product Specifications:

Single Hole Deck Mount Mixing Faucet, Eterna Cartridges,
Lever Handles, 5 1/2" Rigid Gooseneck & 18" Flexible Stainless Steel
Supply Hoses w/ 1/2" NPSM Male Inlets

Product Compliance:

ASME A112.18.1 / CSA B125.1
NSF 61 - Section 9
NSF 372 (Low Lead Content)
ANSI A117.1 (ADA)



T&S BRASS AND BRONZE WORKS, INC.

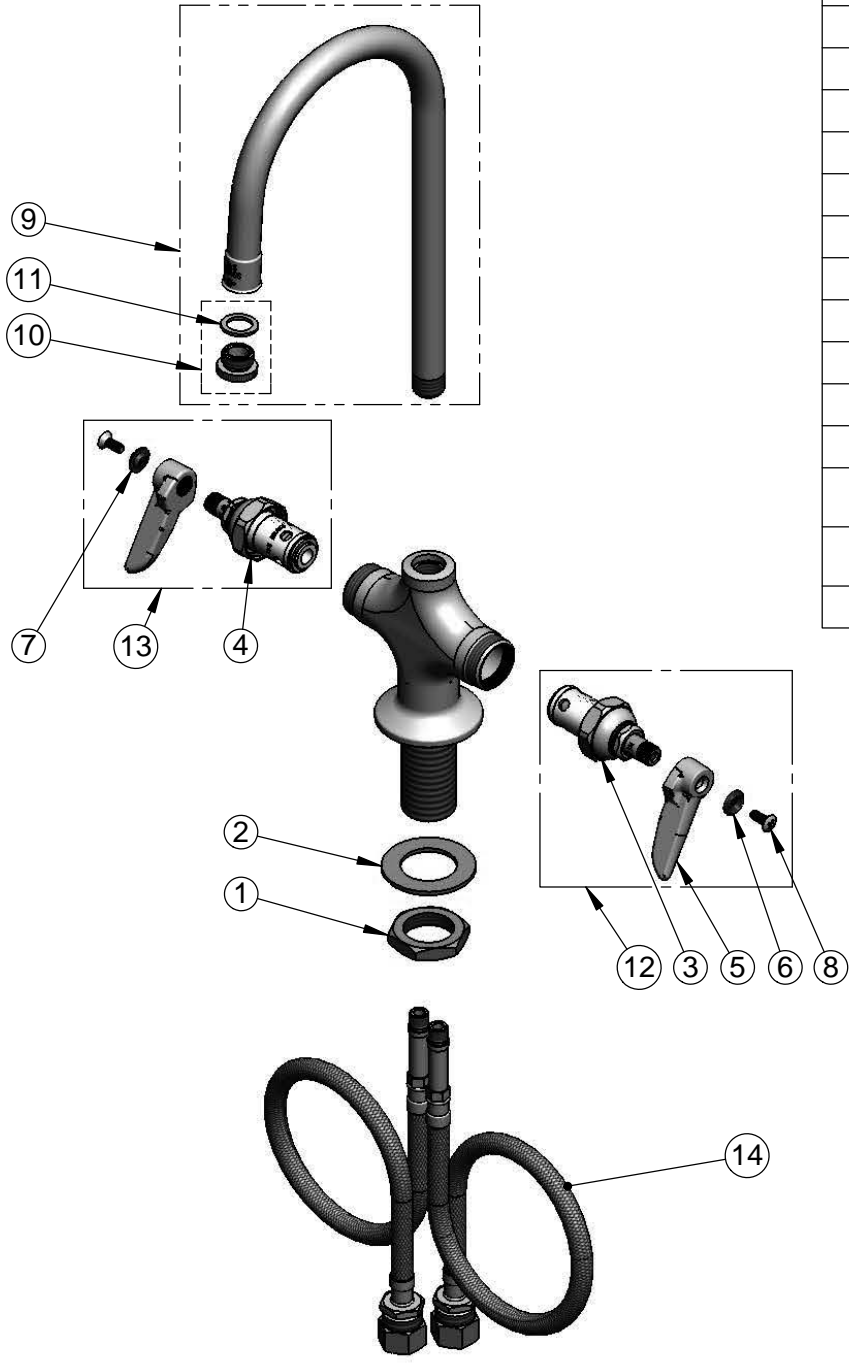
2 Saddleback Cove / P.O. Box 1088
Travelers Rest, SC 29690

Model No.

B-0300

Item No.

Travelers Rest, SC: 800-476-4103 • Simi Valley, CA: 800-423-0150 • Fax: 864-834-3518 • www.tsbrass.com



| ITEM NO. | SALES NO. | DESCRIPTION |
|----------|-----------|---|
| 1 | 000965-45 | Lock Nut |
| 2 | 002290-45 | Lock Washer |
| 3 | 005959-40 | Eterna Cartridge, LTC |
| 4 | 005960-40 | Eterna Cartridge, RTC |
| 5 | 001638-45 | Lever Handle |
| 6 | 001660-45 | Blue Index-CW |
| 7 | 001661-45 | Red Index-HW |
| 8 | 000922-45 | Lever Handle Screw |
| 9 | 120X | 5 1/2" Rigid Gooseneck |
| 10 | B-LT | Stream Regulator Outlet |
| 11 | 001043-45 | Washer |
| 12 | 002713-40 | Eterna Cartridge, LTC w/ Handle, Index & Screw |
| 13 | 002714-40 | Eterna Cartridge, RTC w/ Handle, Index & Screw |
| 14 | 012534-45 | 18" Flexible Supply Hose (2) |

Product Specifications:

Single Hole Deck Mount Mixing Faucet, Eterna Cartridges,
Lever Handles, 5 1/2" Rigid Gooseneck & 18" Flexible Stainless Steel
Supply Hoses w/ 1/2" NPSM Male Inlets

Product Compliance:

ASME A112.18.1 / CSA B125.1
NSF 61 - Section 9
NSF 372 (Low Lead Content)
ANSI A117.1 (ADA)