



T&S BRASS AND BRONZE WORKS, INC.

2 Saddleback Cove / P.O. Box 1088
Travelers Rest, SC 29690

Model No.

B-0301-01-QT

Item No.

Travelers Rest, SC: 800-476-4103 • Simi Valley, CA: 800-423-0150 • Fax: 864-834-3518 • www.tsbrass.com

This Space for Architect/Engineer Approval

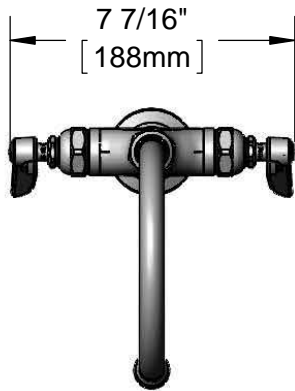
Job Name _____ Date _____

Model Specified _____ Quantity _____

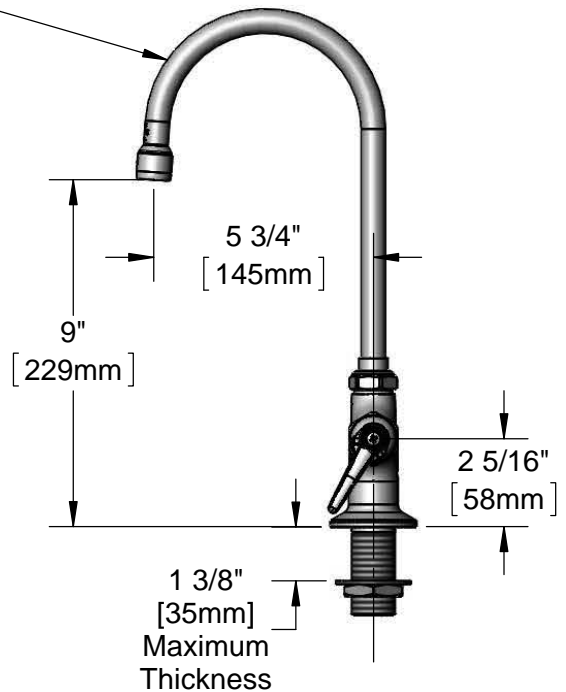
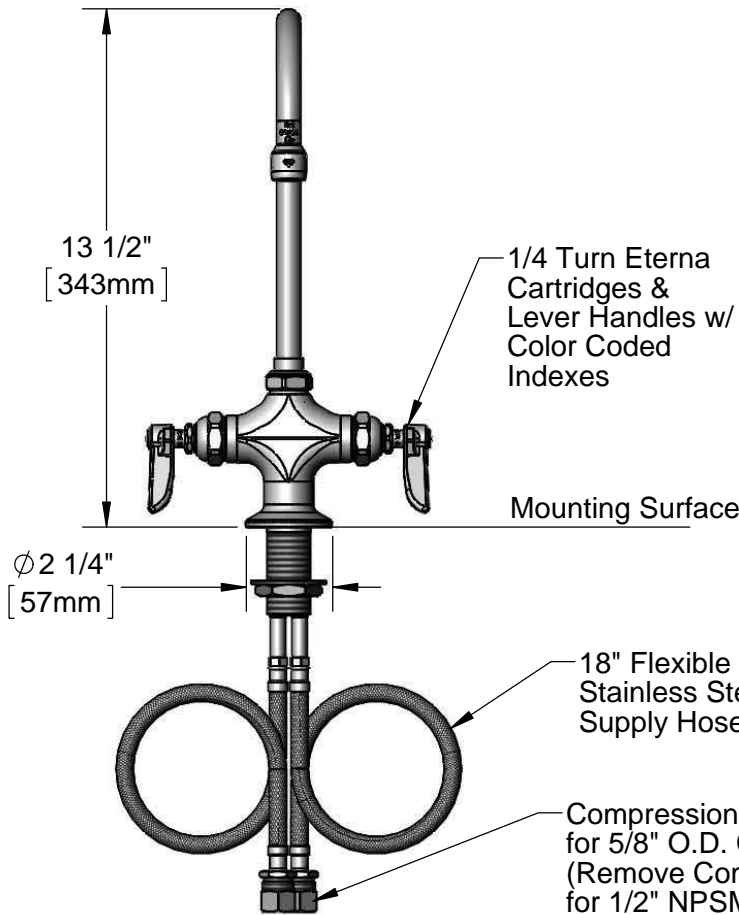
Customer/Wholesaler _____

Contractor _____

Architect/Engineer _____



Swivel Gooseneck w/
B-0199-01
2.2 GPM Aerator.
Converts to rigid with
furnished 014200-45
lock washer.



Rough-in Requirement:
Ø 1 1/2" [38mm] Mounting Hole

Product Specifications:
Single Hole Deck Mount Mixing Faucet, Quarter Turn Eterna Cartridges,
Swivel Gooseneck, 2.2 GPM Aerator, Lever Handles & 18" Flexible Stainless
Steel Supply Hoses w/ 1/2" NPSM Male Inlets

Product Compliance:
ASME A112.18.1 / CSA B125.1
NSF 61 - Section 9
NSF 372 (Low Lead Content)
ANSI A117.1 (ADA)



T&S BRASS AND BRONZE WORKS, INC.

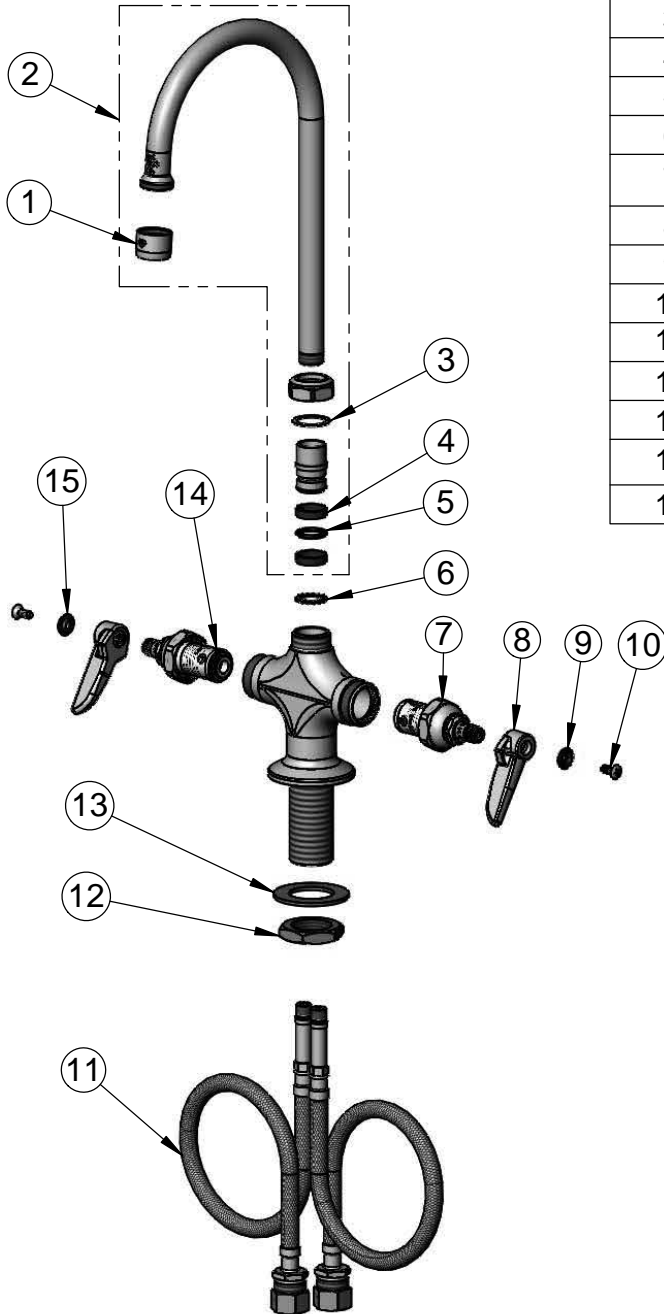
2 Saddleback Cove / P.O. Box 1088
Travelers Rest, SC 29690

Model No.

B-0301-01-QT

Item No.

Travelers Rest, SC: 800-476-4103 • Simi Valley, CA: 800-423-0150 • Fax: 864-834-3518 • www.tsbrass.com



ITEM NO.	SALES NO.	DESCRIPTION
1	B-0199-01	2.2 GPM Aerator, 55/64"-27 UN Female
2	133X-AER	133X Swivel Gooseneck w/ Aerator
3	009538-45	Swivel Washer
4	011429-45	Swivel Sleeves (2)
5	001074-45	O-Ring
6	014200-45	Star Washer, Anti-Rotation
7	005959-40QT	1/4 Turn Eterna Cartridge, LTC
8	001638-45	Lever Handle
9	001660-45	Blue Index-CW
10	000922-45	Lever Handle Screw
11	012534-45	18" Flexible Supply Hose (2)
12	000965-45	Lock Nut
13	002290-45	Lock Washer
14	005960-40QT	1/4 Turn Eterna Cartridge, RTC
15	001661-45	Red Index-HW

Product Specifications:

Single Hole Deck Mount Mixing Faucet, Quarter Turn Eterna Cartridges, Swivel Gooseneck, 2.2 GPM Aerator, Lever Handles & 18" Flexible Stainless Steel Supply Hoses w/ 1/2" NPSM Male Inlets

Product Compliance:

ASME A112.18.1 / CSA B125.1
NSF 61 - Section 9
NSF 372 (Low Lead Content)
ANSI A117.1 (ADA)