



T&S BRASS AND BRONZE WORKS, INC.

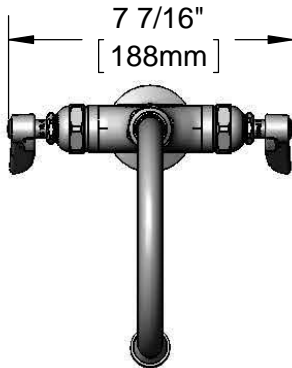
2 Saddleback Cove / P.O. Box 1088
Travelers Rest, SC 29690

Model No.

B-0301-01QT-WS

Item No.

Travelers Rest, SC: 800-476-4103 • Simi Valley, CA: 800-423-0150 • Fax: 864-834-3518 • www.tsbrass.com



ADA Compliant

This Space for Architect/Engineer Approval

Job Name _____ Date _____

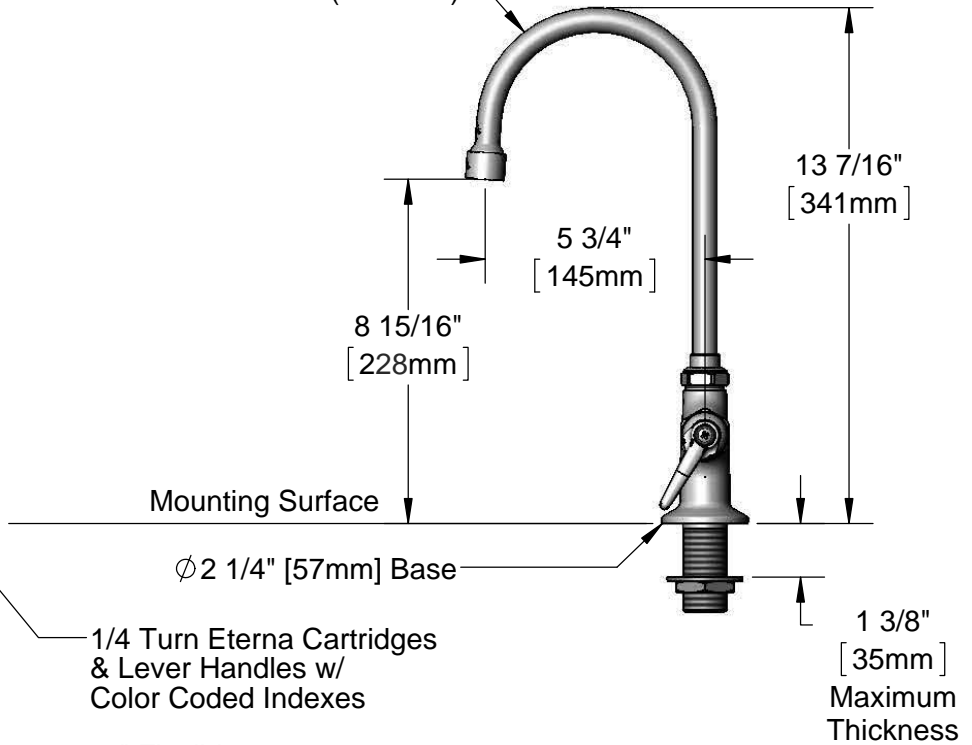
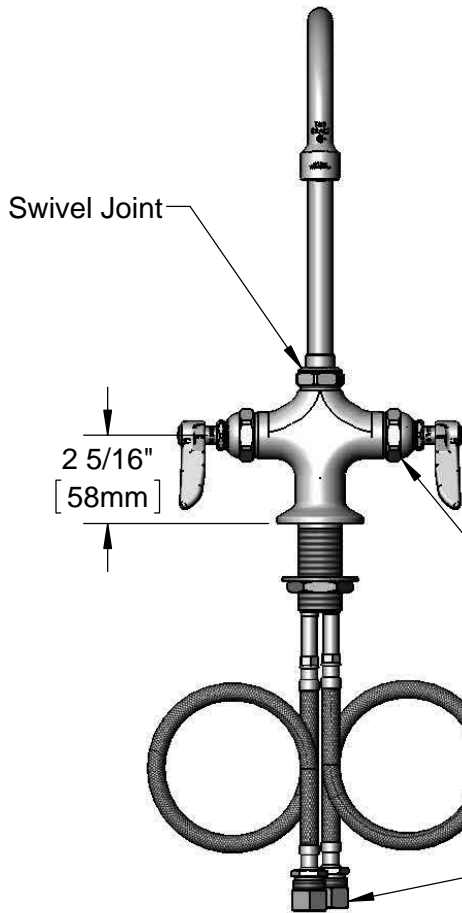
Model Specified _____ Quantity _____

Customer/Wholesaler _____

Contractor _____

Architect/Engineer _____

Swivel Gooseneck w/
B-0199-06-WS
VR 1.5 GPM Aerator.
Rigid Conversion
Requires 014200-45 Lock
Washer (Included)



Rough-In Requirement:
Ø 1 1/2" [38mm] Mounting Hole

- 1/4 Turn Eterna Cartridges & Lever Handles w/ Color Coded Indexes
- 18" Flexible Stainless Steel Supply Hoses
- Compression Fittings for 5/8" O.D. Copper Tubing (Remove Compression Nut for 1/2" NPSM Male)

Product Specifications:

Single Hole Deck Mount Mixing Faucet, 1/4 Turn Eterna Cartridges, Swivel Gooseneck, VR 1.5 GPM Aerator, Lever Handles & 18" Flexible Stainless Steel Supply Hoses w/ 1/2" NPSM Male Inlets

Product Compliance:

ASME A112.18.1 / CSA B125.1
NSF 61 - Section 9
NSF 372 (Low Lead Content)
ANSI A117.1 (ADA)



T&S BRASS AND BRONZE WORKS, INC.

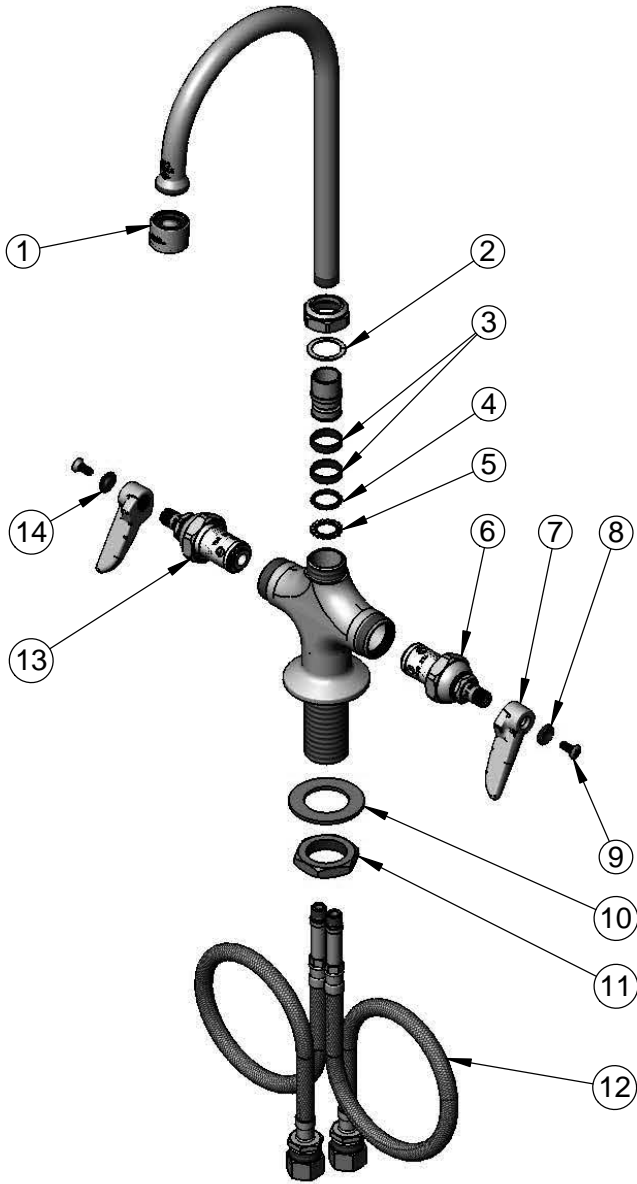
2 Saddleback Cove / P.O. Box 1088
Travelers Rest, SC 29690

Model No.

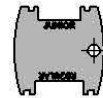
B-0301-01QT-WS

Item No.

Travelers Rest, SC: 800-476-4103 • Simi Valley, CA: 800-423-0150 • Fax: 864-834-3518 • www.tsbrass.com



ITEM NO.	SALES NO.	DESCRIPTION
1	B-0199-06-WS	VR 1.5 GPM Aerator, 55/64-27 UN Female w/ Key
2	009538-45	Swivel Washer
3	011429-45	Swivel Sleeves (2)
4	001074-45	O-Ring
5	014200-45	Star Washer, Anti-Rotation
6	005959-40QT	1/4 Turn Eterna Cartridge, LTC
7	001638-45	Lever Handle
8	001660-45	Blue Index-CW
9	000922-45	Lever Handle Screw
10	002290-45	Lock Washer
11	000965-45	Lock Nut
12	012534-45	18" Flexible Supply Hose (2)
13	005960-40QT	1/4 Turn Eterna Cartridge, RTC
14	001661-45	Red Index-HW



015425-45
Vandal Resistant Key

Product Specifications:

Single Hole Deck Mount Mixing Faucet, 1/4 Turn Eterna Cartridges, Swivel Gooseneck, VR 1.5 GPM Aerator, Lever Handles & 18" Flexible Stainless Steel Supply Hoses w/ 1/2" NPSM Male Inlets

Product Compliance:

ASME A112.18.1 / CSA B125.1
NSF 61 - Section 9
NSF 372 (Low Lead Content)
ANSI A117.1 (ADA)