



T&S BRASS AND BRONZE WORKS, INC.

2 Saddleback Cove / P.O. Box 1088
Travelers Rest, SC 29690

Model No.

B-0305-CR

Item No.

Travelers Rest, SC: 800-476-4103 • Simi Valley, CA: 800-423-0150 • Fax: 864-834-3518 • www.tsbrass.com

This Space for Architect/Engineer Approval

Job Name _____ Date _____

Model Specified _____ Quantity _____

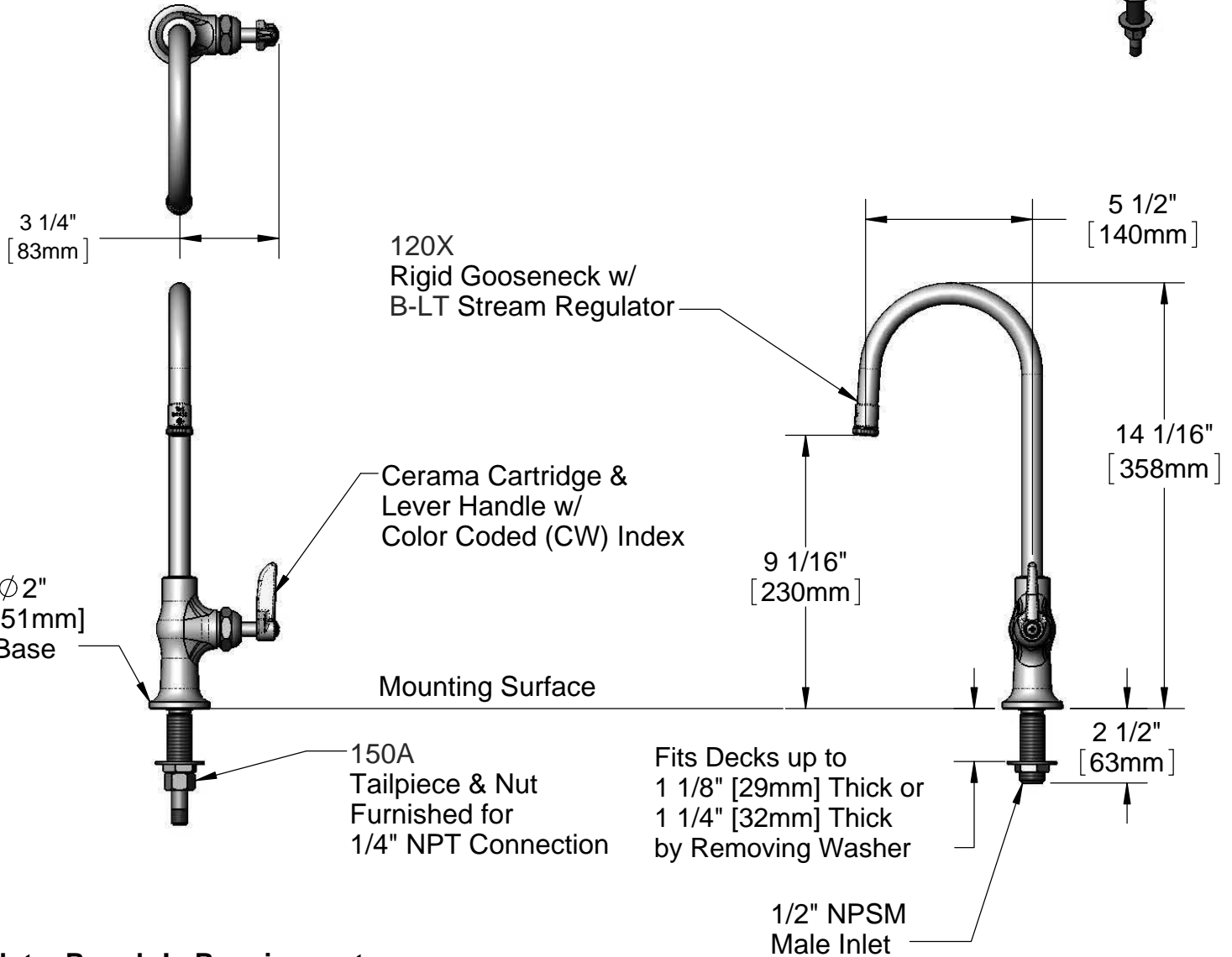
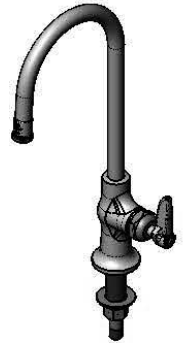
Customer/Wholesaler _____

Contractor _____

Architect/Engineer _____



ADA Compliant



Note: Rough-In Requirement

Ø 1" [25mm] Mounting Hole

Product Specifications:

Single Temperature Deck Mount Faucet w/ Cerama Cartridge, Lever Handle, Rigid Gooseneck w/ Stream Regulator & Tailpiece

Drawn

KJG

Checked

DHL

Approved

JHB

Scale:

3:16

Date:

03/27/12



T&S BRASS AND BRONZE WORKS, INC.

2 Saddleback Cove / P.O. Box 1088
Travelers Rest, SC 29690

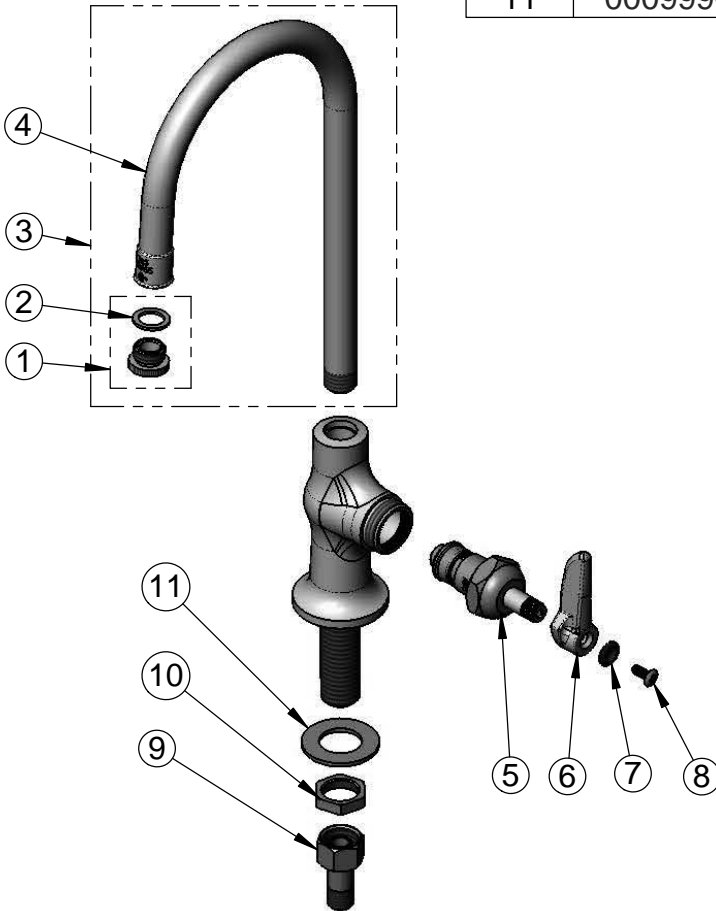
Model No.

B-0305-CR

Item No.

Travelers Rest, SC: 800-476-4103 • Simi Valley, CA: 800-423-0150 • Fax: 864-834-3518 • www.tsbrass.com

ITEM NO.	SALES NO.	DESCRIPTION
1	B-LT	Stream Regulator Outlet
2	001043-45	Washer
3	120X	Gooseneck w/ B-LT Stream Regulator
4	000398-40	Rigid Gooseneck
5	011278-25	Cerama Cartridge RTC
6	001638-45	Lever Handle
7	001660-45	Blue Index-CW
8	000922-45	Lever Handle Screw
9	150A	Bag of (1) Nut & (1) Tailpiece
10	002954-45	Shank Lock Nut
11	000999-45	Brass Lock Washer



Product Specifications:

Single Temperature Deck Mount Faucet w/ Cerama Cartridge, Lever Handle, Rigid Gooseneck w/ Stream Regulator & Tailpiece

Drawn

KJG

Checked

DHL

Approved

JHB

Scale:

NTS

Date:

03/27/12