

# T&S BRASS AND BRONZE WORKS, INC.

2 Saddleback Cove / P.O. Box 1088  
Travelers Rest, SC 29690

Model No.

**B-0305-LN-175F**

Item No.

Travelers Rest, SC: 800-476-4103 • Simi Valley, CA: 800-423-0150 • Fax: 864-834-3518 • www.tsbrass.com



**ADA Compliant**

This Space for Architect/Engineer Approval

Job Name \_\_\_\_\_ Date \_\_\_\_\_

Model Specified \_\_\_\_\_ Quantity \_\_\_\_\_

Customer/Wholesaler \_\_\_\_\_

Contractor \_\_\_\_\_

Architect/Engineer \_\_\_\_\_



Ø 2" [51mm]  
Base w/  
1/2" NPSM  
Male Inlet

3/8" NPT Female Outlet  
Accepts T&S Rigid  
Goosenecks

Eterna Cartridge &  
4-Arm Handle w/  
Colored Coded  
Index (Cold)



4 3/8"  
[111mm]

2 7/16"  
[62mm]

Mounting Surface

2 5/8"  
[67mm]

1 1/2"  
[38mm]  
Mounting  
Thickness

3 5/16"  
[84mm]

150A  
Optional Tailpiece & Nut  
for 1/4" NPT Connection  
(Included)

Rough-In Requirement:  
Ø 1" [25mm] Mounting Hole

**Product Specifications:**

Single Hole, Single Temperature Deck Mount Faucet w/ 4-Arm Handle, Eterna Cartridge & Less Nozzle

Drawn

**KJG**

Checked

**JRM**

Approved

**JHB**

Scale:

**1:2**

Date:

**02/20/13**



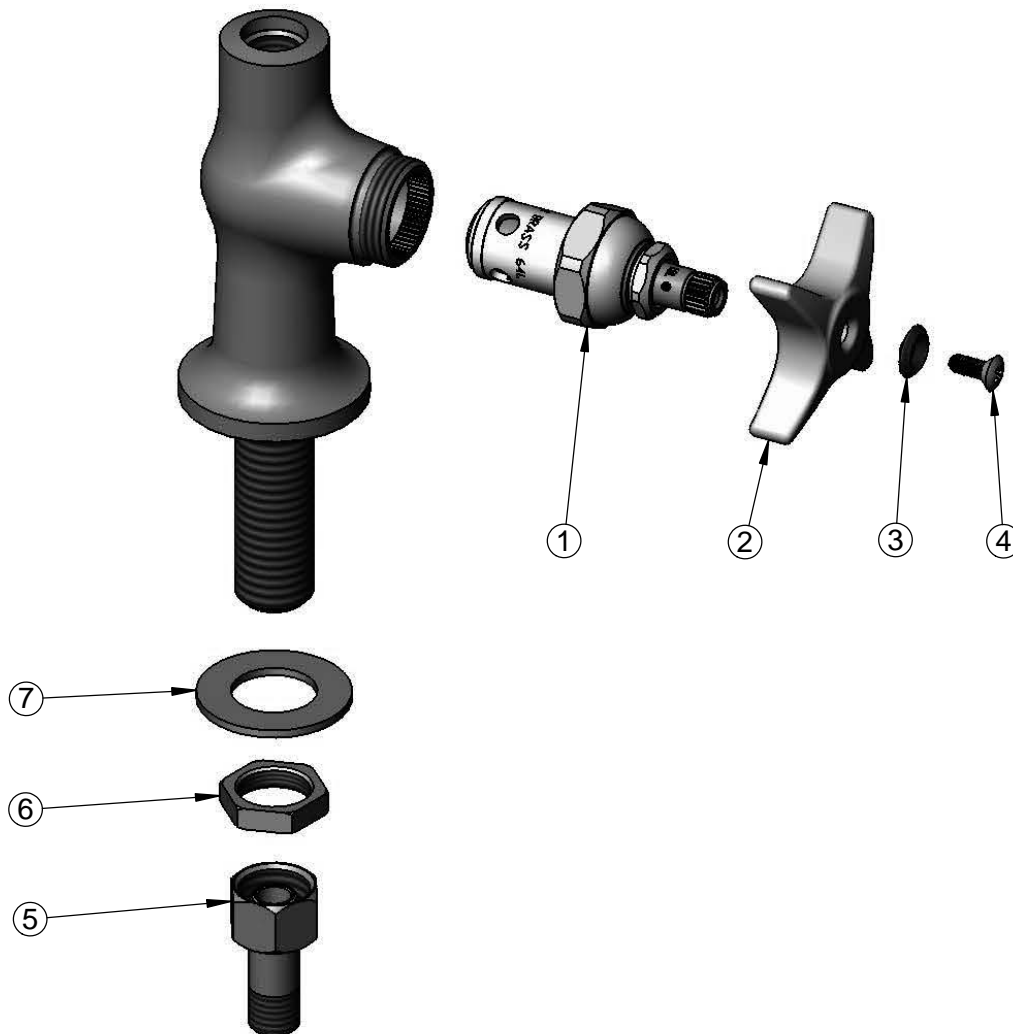
**T&S BRASS AND BRONZE WORKS, INC.**  
 2 Saddleback Cove / P.O. Box 1088  
 Travelers Rest, SC 29690

Model No.  
**B-0305-LN-175F**

Item No.

Travelers Rest, SC: 800-476-4103 • Simi Valley, CA: 800-423-0150 • Fax: 864-834-3518 • www.tsbrass.com

ITEM NO.	SALES NO.	DESCRIPTION
1	005960-40	Eterna Cartridge, RTC
2	002521-45	4-Arm Handle
3	001660-45	Blue Index-CW
4	000922-45	Lever Handle Screw
5	150A	1/4" NPT Tailpiece & Nut
6	002954-45	Shank Lock Nut
7	000999-45	Brass Lock Washer



Product Specifications:  
 Single Hole, Single Temperature Deck Mount Faucet w/ 4-Arm Handle,  
 Eterna Cartridge & Less Nozzle

Drawn <b>KJG</b>	Checked <b>JRM</b>	Approved <b>JHB</b>
Scale: <b>NTS</b>		Date: <b>02/20/13</b>