



**T&S BRASS AND BRONZE WORKS, INC.**  
 2 Saddleback Cove / P.O. Box 1088  
 Travelers Rest, SC 29690

Model No.  
**B-0305-LN**

Item No.

Travelers Rest, SC: 800-476-4103 • Simi Valley, CA: 800-423-0150 • Fax: 864-834-3518 • www.tsbrass.com



**ADA Compliant**

This Space for Architect/Engineer Approval

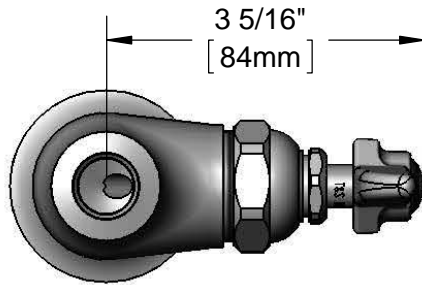
Job Name \_\_\_\_\_ Date \_\_\_\_\_

Model Specified \_\_\_\_\_ Quantity \_\_\_\_\_

Customer/Wholesaler \_\_\_\_\_

Contractor \_\_\_\_\_

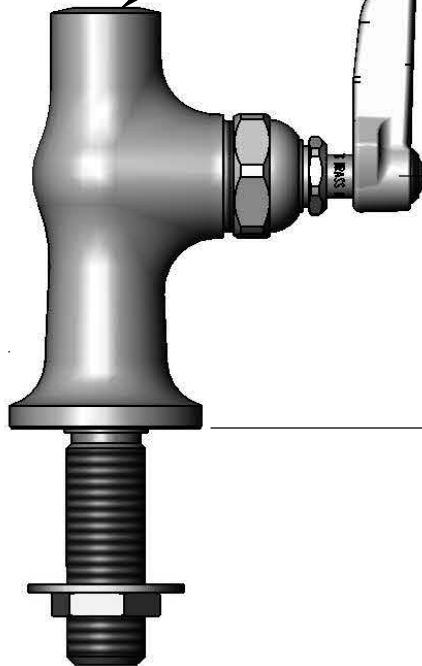
Architect/Engineer \_\_\_\_\_



3 5/16"  
[84mm]

3/8" NPT Female Outlet  
 Accepts 3/8" Rigid  
 Goosenecks

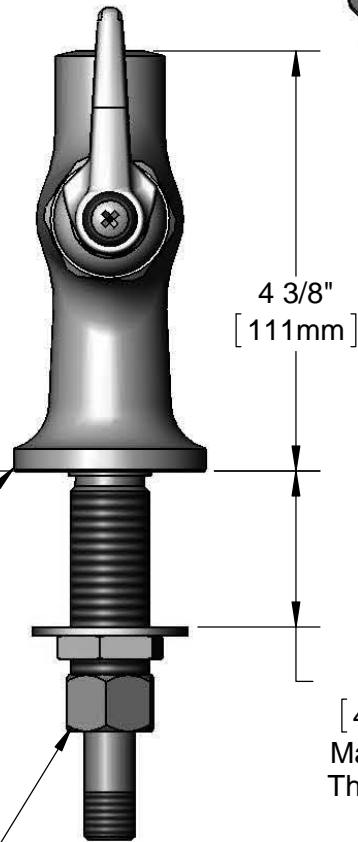
Eterna Cartridge &  
 Lever Handle w/  
 Colored Coded Index



2 5/8"  
[67mm]

Mounting Surface

Ø2" [51mm]  
 Flange w/  
 1/2" NPSM  
 Male Inlet



4 3/8"  
[111mm]

1 5/8"  
[41mm]  
 Maximum  
 Thickness

150A  
 Optional Tailpiece & Nut  
 For 1/4" NPT Connection  
 (Included)

Rough-In Requirement:  
 Ø 1" [25mm] Mounting Hole

Product Specifications:  
 Single Hole, Single Temperature Deck Mount Faucet, Eterna Cartridge, Lever  
 Handle & Less Nozzle

Product Compliance:  
 ASME A112.18.1 / CSA B125.1  
 NSF 61 - Section 9  
 NSF 372 (Low Lead Content)  
 ANSI A117.1 (ADA)

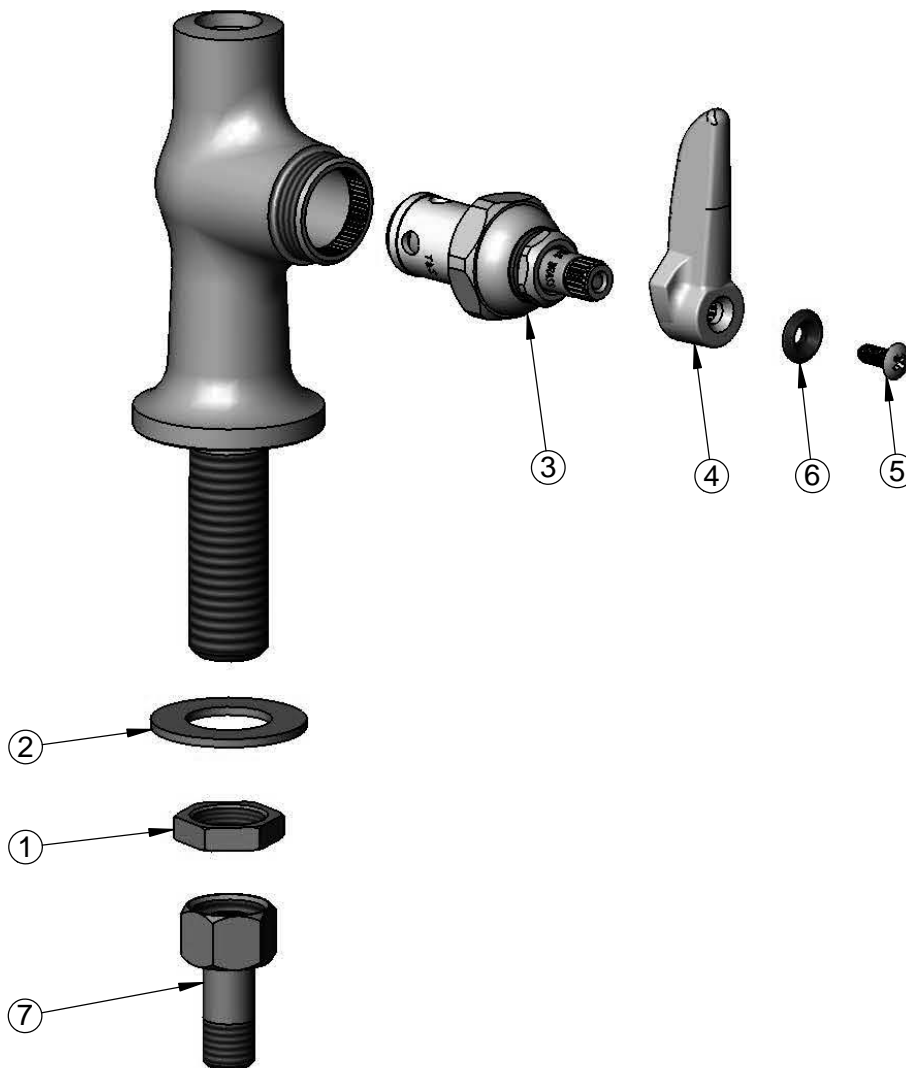


**T&S BRASS AND BRONZE WORKS, INC.**  
 2 Saddleback Cove / P.O. Box 1088  
 Travelers Rest, SC 29690

Model No.  
**B-0305-LN**  
 Item No.

Travelers Rest, SC: 800-476-4103 • Simi Valley, CA: 800-423-0150 • Fax: 864-834-3518 • www.tsbrass.com

ITEM NO.	PART NO.	DESCRIPTION
1	002954-45	Shank Lock Nut
2	000999-45	Brass Lock Washer
3	005960-40	Eterna Cartridge, RTC
4	001638-45	Lever Handle
5	000922-45	Lever Handle Screw
6	001660-45	Blue Index-CW
7	150A	1/4" NPT Tailpiece & Nut



Product Specifications:  
 Single Hole, Single Temperature Deck Mount Faucet, Eterna Cartridge, Lever Handle & Less Nozzle

Product Compliance:  
 ASME A112.18.1 / CSA B125.1  
 NSF 61 - Section 9  
 NSF 372 (Low Lead Content)  
 ANSI A117.1 (ADA)