



T&S BRASS AND BRONZE WORKS, INC.
 2 Saddleback Cove / P.O. Box 1088
 Travelers Rest, SC 29690

Model No.
B-0305-QT-WS

Item No.

Travelers Rest, SC: 800-476-4103 • Simi Valley, CA: 800-423-0150 • Fax: 864-834-3518 • www.tsbrass.com



ADA Compliant

This Space for Architect/Engineer Approval

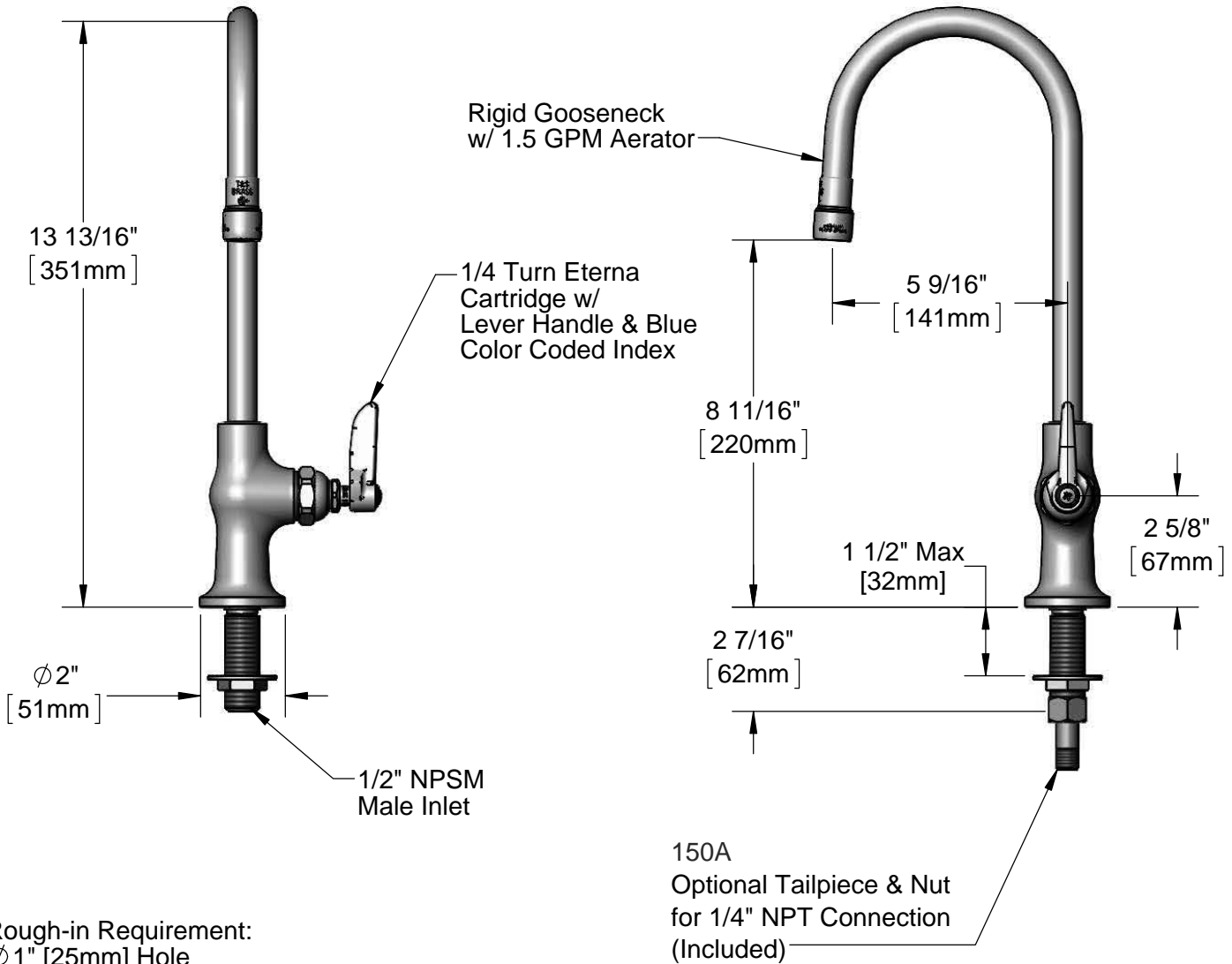
Job Name _____ Date _____

Model Specified _____ Quantity _____

Customer/Wholesaler _____

Contractor _____

Architect/Engineer _____



Rough-in Requirement:
 ϕ 1" [25mm] Hole

Product Specifications:
 Single Pantry Faucet, Rigid Gooseneck, 1.5 GPM Aerator,
 Quarter Turn Eterna Cartridge, Lever Handle, 1/2" NPSM Shank Inlet

Product Compliance:
 ASME A112.18.1 / CSA B125.1
 NSF 372 (Low Lead Content)
 ANSI A117.1 (ADA)



T&S BRASS AND BRONZE WORKS, INC.

2 Saddleback Cove / P.O. Box 1088
Travelers Rest, SC 29690

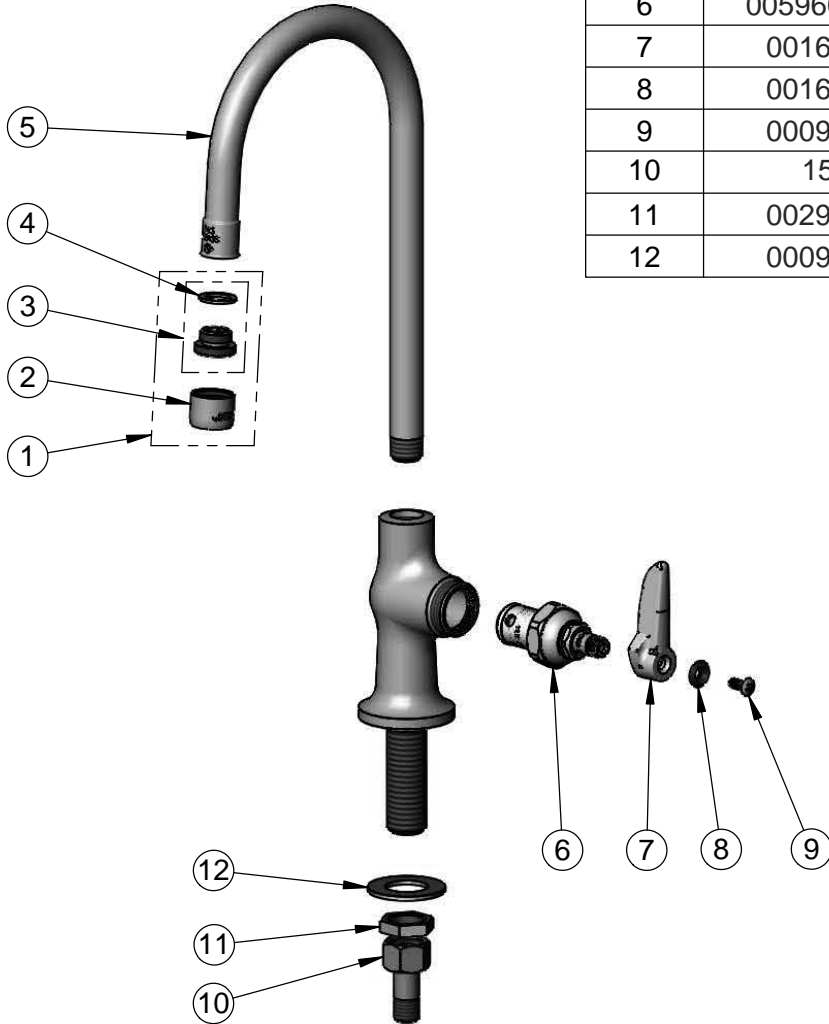
Model No.

B-0305-QT-WS

Item No.

Travelers Rest, SC: 800-476-4103 • Simi Valley, CA: 800-423-0150 • Fax: 864-834-3518 • www.tsbrass.com

ITEM NO.	SALES NO.	DESCRIPTION
1	B-0199-02-WS	1.5 GPM Aerator w/ Adapter
2	B-0199-01-WS	1.5 GPM Aerator, 55/64-27 Female
3	044A	3/8" to Aerator Adapter
4	001043-45	Washer
5	000398-40	Rigid Gooseneck
6	005960-40QT	1/4 Turn Eterna, RTC
7	001638-45	Lever Handle
8	001660-45	Blue Index-CW
9	000922-45	Lever Handle Screw
10	150A	1/4" NPT Tailpiece & Nut
11	002954-45	Shank Lock Nut
12	000999-45	Brass Lock Washer



Product Specifications:
Single Pantry Faucet, Rigid Gooseneck, 1.5 GPM Aerator,
Quarter Turn Eterna Cartridge, Lever Handle, 1/2" NPSM Shank Inlet

Product Compliance:
ASME A112.18.1 / CSA B125.1
NSF 372 (Low Lead Content)
ANSI A117.1 (ADA)