



**T&S BRASS AND BRONZE WORKS, INC.**

2 Saddleback Cove / P.O. Box 1088  
Travelers Rest, SC 29690

Model No.

**B-0305-VF22**

Item No.

Travelers Rest, SC: 800-476-4103 • Simi Valley, CA: 800-423-0150 • Fax: 864-834-3518 • www.tsbrass.com



**ADA Compliant**

This Space for Architect/Engineer Approval

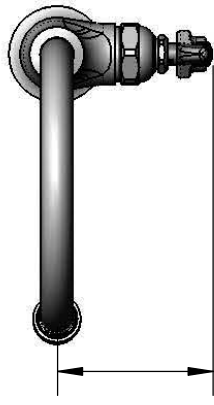
Job Name \_\_\_\_\_ Date \_\_\_\_\_

Model Specified \_\_\_\_\_ Quantity \_\_\_\_\_

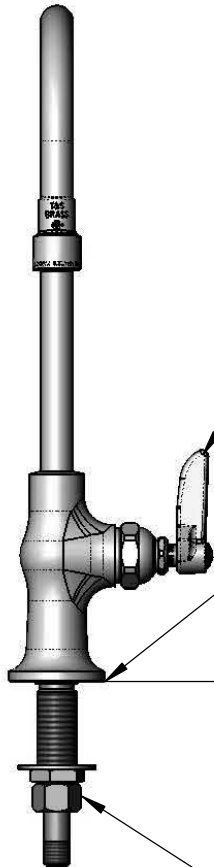
Customer/Wholesaler \_\_\_\_\_

Contractor \_\_\_\_\_

Architect/Engineer \_\_\_\_\_



3 1/4"  
[83mm]



Rigid Gooseneck w/  
B-0199-07 Vandal  
Resistant Aerator  
2.2 GPM

Eterna Cartridge &  
Lever Handle w/  
Color Coded (CW)  
Index

Ø 2"  
[51mm]  
Base  
Mounting Surface

Fits Decks 1 1/8" [29mm] Thick  
or 1 1/4" [32mm] Thick Maximum  
by Removing Washer

150A  
Tailpiece & Nut for  
1/4" NPT Connection

5 1/2"  
[140mm]

8 9/16"  
[217mm]

14 1/16"  
[358mm]

2 1/2"  
[63mm]

1/2" NPSM  
Male Inlet

**Note: Rough-In Requirement**

Ø 1" [25mm] Mounting Hole

Product Specifications:

Single Temperature Deck Mount Faucet w/ Eterna Cartridge,  
Lever Handle, Rigid Gooseneck w/ 2.2 GPM VR Aerator, &  
Tailpiece

Drawn

**KJG**

Checked

**DMH**

Approved

**JHB**

Scale:

**1:4**

Date:

**04/12/12**



# T&S BRASS AND BRONZE WORKS, INC.

2 Saddleback Cove / P.O. Box 1088  
Travelers Rest, SC 29690

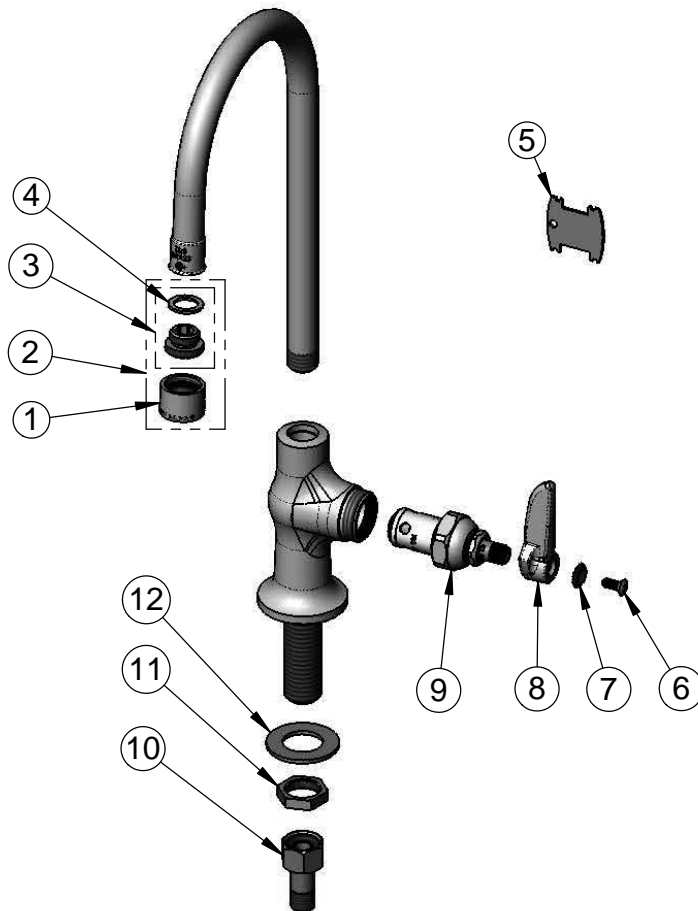
Model No.

**B-0305-VF22**

Item No.

Travelers Rest, SC: 800-476-4103 • Simi Valley, CA: 800-423-0150 • Fax: 864-834-3518 • www.tsbrass.com

ITEM NO.	SALES NO.	DESCRIPTION
1	B-0199-06	VR Aerator w/ Key
2	B-0199-07	2.2 GPM Vandal Resistant Aerator w/ Key
3	044A	3/8" to Aerator Adapter
4	001043-45	Washer
5	015425-45	Vandal Resistant Key
6	000922-45	Lever Handle Screw
7	001660-45	Blue Index-CW
8	001638-45	Lever Handle
9	005960-40	Eterna Cartridge, RTC
10	150A	Bag of (1) Nut & (1) Tailpiece
11	002954-45	Shank Lock Nut
12	000999-45	Brass Lock Washer



Product Specifications:  
Single Temperature Deck Mount Faucet w/ Eterna Cartridge,  
Lever Handle, Rigid Gooseneck w/ 2.2 GPM VR Aerator, &  
Tailpiece

Drawn

**KJG**

Checked

**DMH**

Approved

**JHB**

Scale:

**NTS**

Date:

**04/12/12**