

# T&S BRASS AND BRONZE WORKS, INC.

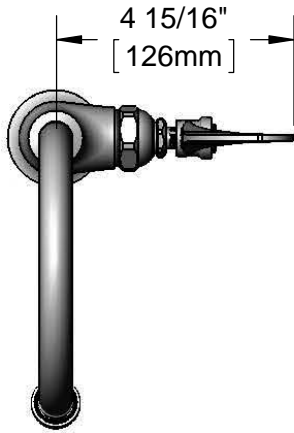
2 Saddleback Cove / P.O. Box 1088  
Travelers Rest, SC 29690

Model No.

**B-0305-VR4-WS**

Item No.

Travelers Rest, SC: 800-476-4103 • Simi Valley, CA: 800-423-0150 • Fax: 864-834-3518 • www.tsbrass.com



**ADA Compliant**

This Space for Architect/Engineer Approval

Job Name \_\_\_\_\_ Date \_\_\_\_\_

Model Specified \_\_\_\_\_ Quantity \_\_\_\_\_

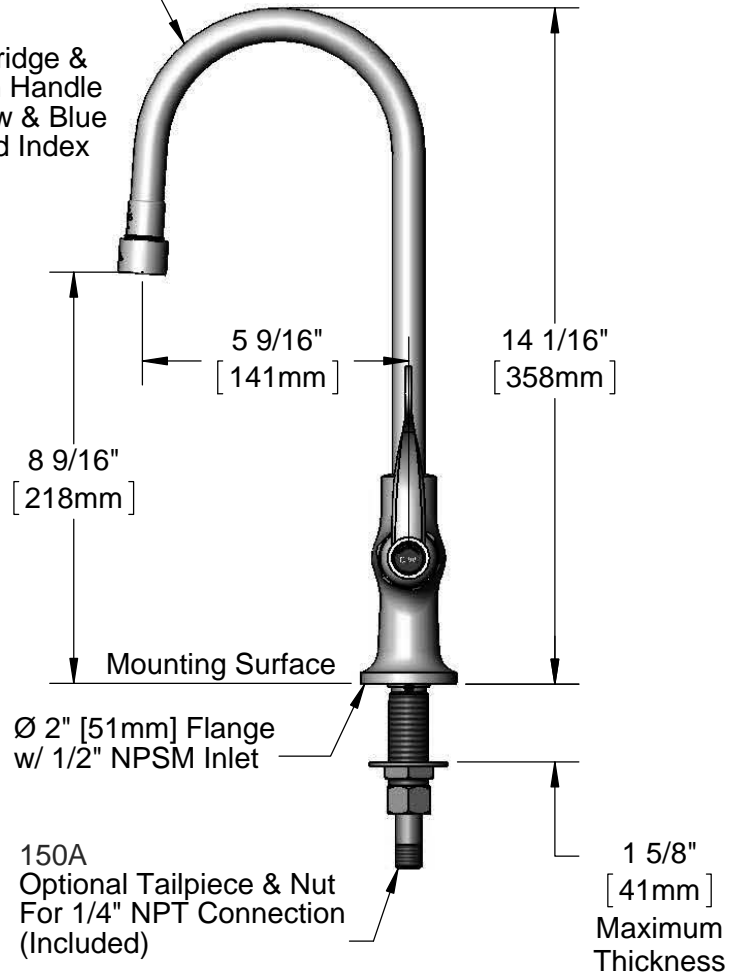
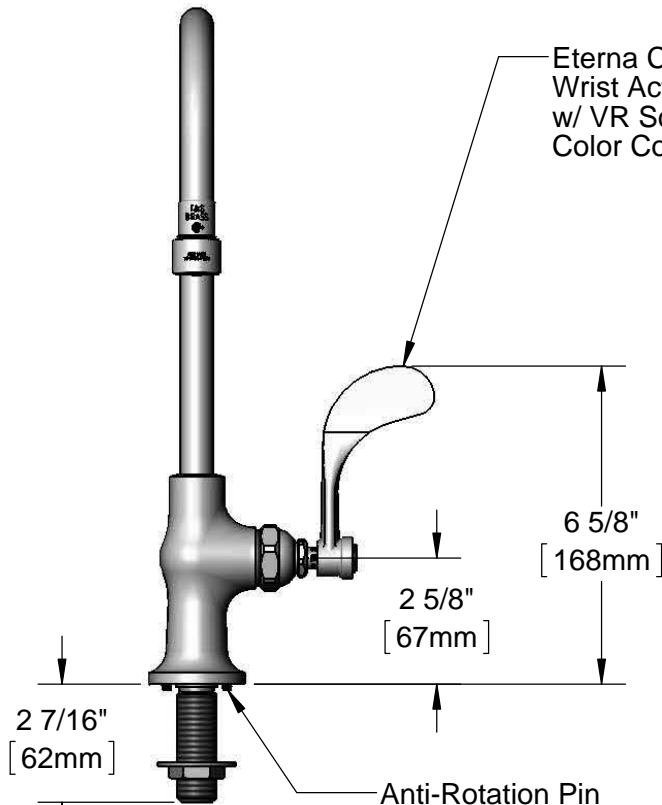
Customer/Wholesaler \_\_\_\_\_

Contractor \_\_\_\_\_

Architect/Engineer \_\_\_\_\_

Rigid Gooseneck w/  
B-0199-07-WS  
1.5 GPM VR Aerator

Eterna Cartridge &  
Wrist Action Handle  
w/ VR Screw & Blue  
Color Coded Index



Rough-In Requirement:  
Ø 1" [25mm] Mounting Hole

Threaded Anti-Rotation  
Pins May be Inserted in  
Any (2) of (4) Positions  
Preventing Twisting of Faucet

**Product Specifications:**

Single Hole Single Temperature Deck Mount Faucet, Eterna Cartridge, 4" Wrist Action Handle w/ VR Screws, 1.5 GPM VR Aerator & VR Anti-Rotation Counter Pins

**Product Compliance:**

ASME A112.18.1 / CSA B125.1  
NSF 61 - Section 9  
NSF 372 (Low Lead Content)  
ANSI A117.1 (ADA)



# T&S BRASS AND BRONZE WORKS, INC.

2 Saddleback Cove / P.O. Box 1088  
Travelers Rest, SC 29690

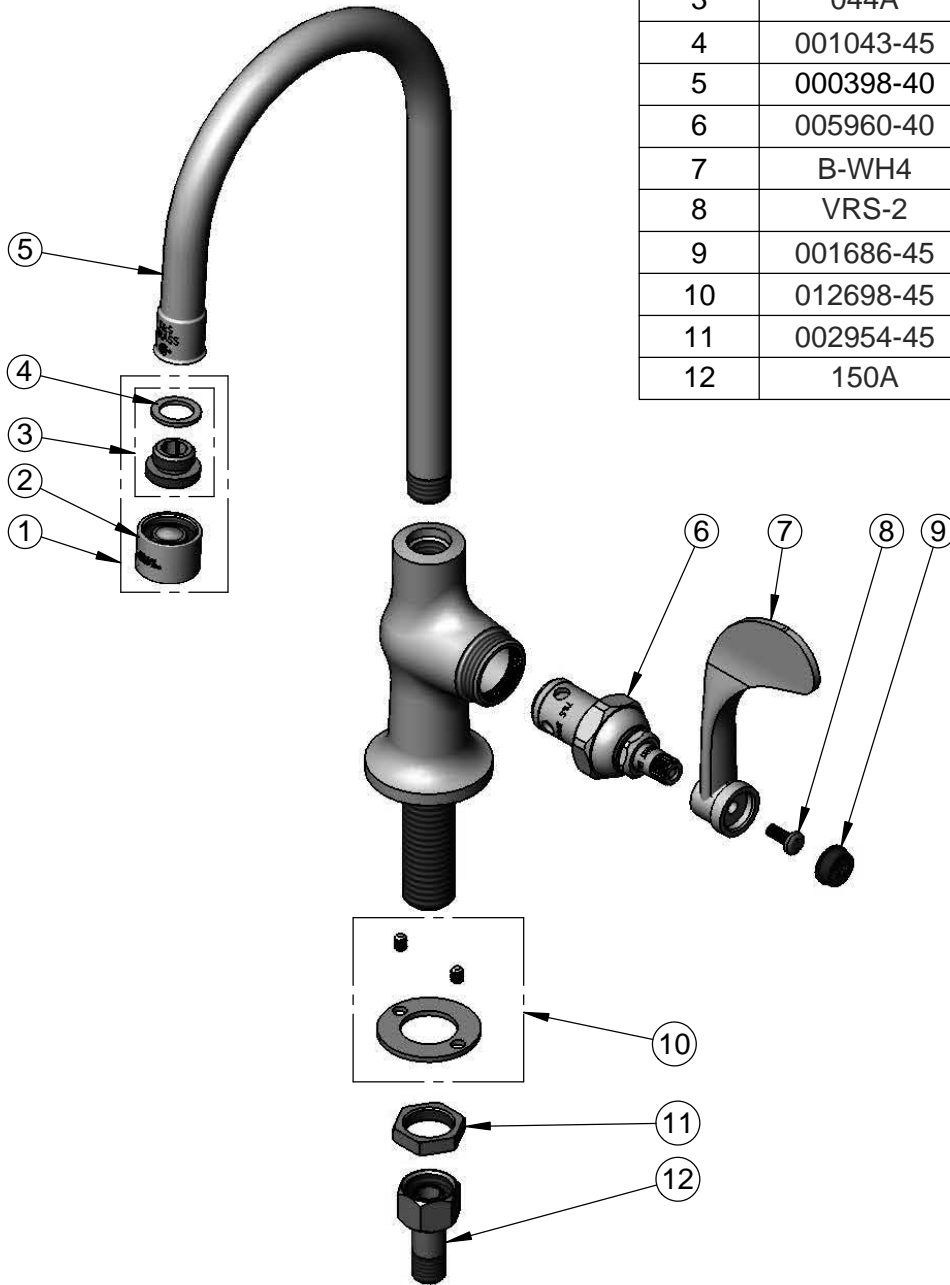
Model No.


**B-0305-VR4-WS**

Item No.

Travelers Rest, SC: 800-476-4103 • Simi Valley, CA: 800-423-0150 • Fax: 864-834-3518 • www.tsbrass.com

ITEM NO.	SALES NO.	DESCRIPTION
1	B-0199-07-WS	VR 1.5 GPM Aerator, 3/8" NPSM Male w/ Key
2	B-0199-06-WS	VR 1.5 GPM Aerator, 55/64-27 UN Female w/ Key
3	044A	3/8" to Aerator Adapter
4	001043-45	Washer
5	000398-40	Rigid Gooseneck
6	005960-40	Eterna Cartridge, RTC
7	B-WH4	4" Wrist Action Handle
8	VRS-2	VR Screws (2) w/ Spanner Bit
9	001686-45	Blue Index - CW
10	012698-45	Anti-Rotation Pins (2) w/ Washer
11	002954-45	Shank Lock Nut
12	150A	1/4" NPT Tailpiece & Nut



  
014075-45  
Spanner Bit  
(Included)

  
015425-45  
Vandal Resistant Key  
(Included)

**Product Specifications:**

Single Hole Single Temperature Deck Mount Faucet, Eterna Cartridge, 4" Wrist Action Handle w/ VR Screws, 1.5 GPM VR Aerator & VR Anti-Rotation Counter Pins

**Product Compliance:**

ASME A112.18.1 / CSA B125.1  
NSF 61 - Section 9  
NSF 372 (Low Lead Content)  
ANSI A117.1 (ADA)