



# T&S BRASS AND BRONZE WORKS, INC.

2 Saddleback Cove / P.O. Box 1088  
Travelers Rest, SC 29690

Model No.

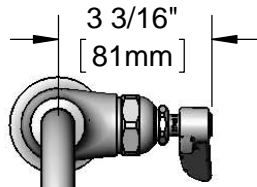
**B-0305-VR**

Item No.

Travelers Rest, SC: 800-476-4103 • Simi Valley, CA: 800-423-0150 • Fax: 864-834-3518 • www.tsbrass.com



**ADA Compliant**



3 3/16"  
[81mm]

This Space for Architect/Engineer Approval

Job Name \_\_\_\_\_ Date \_\_\_\_\_

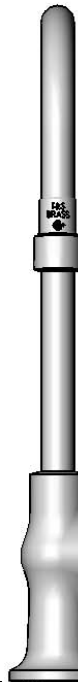
Model Specified \_\_\_\_\_ Quantity \_\_\_\_\_

Customer/Wholesaler \_\_\_\_\_

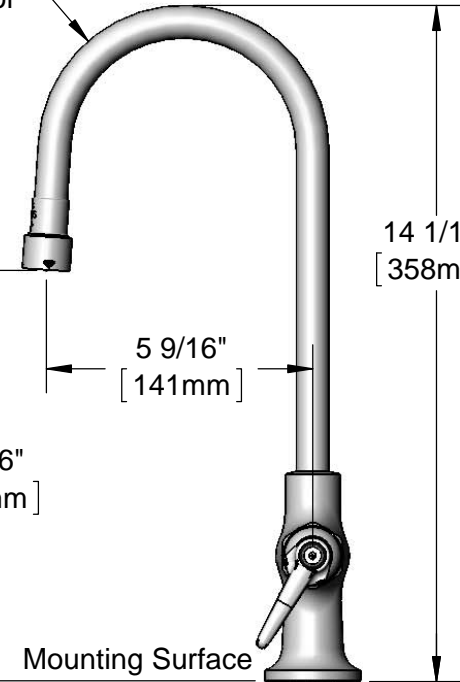
Contractor \_\_\_\_\_

Architect/Engineer \_\_\_\_\_

5 1/2" Spread  
Rigid Gooseneck w/  
B-0199-07  
2.2 GPM VR Aerator



Eterna Cartridge &  
Lever Handle w/  
VR Screw & Color  
Coded Index (CW)



14 1/16"  
[358mm]

5 9/16"  
[141mm]

8 9/16"  
[217mm]

2 5/8"  
[67mm]

2 7/16"  
[62mm]

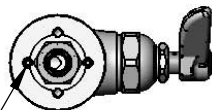
Mounting Surface

Anti-Rotation Pin

Ø 2" [51mm] Flange  
w/ 1/2" NPSM Shank

1 5/8"  
[41mm]  
Maximum  
Thickness

Threaded Anti-Rotation  
Pins May be Inserted in  
Any (2) of (4) Positions  
Preventing Twisting of Faucet



150A  
Optional Tailpiece & Nut  
For 1/4" NPT Connection  
(Included)

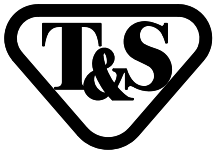
Rough-In Requirement:  
Ø 1" [25mm] Mounting Hole

**Product Specifications:**

Single Hole Single Temperature Deck Mount Faucet, Vandal Resistant  
Lever Handle, Vandal Resistant 2.2 GPM Aerator & Vandal Resistant  
Anti-Rotation Counter Pins

**Product Compliance:**

ASME A112.18.1 / CSA B125.1  
NSF 61 - Section 9  
NSF 372 (Low Lead Content)  
ANSI A117.1 (ADA)



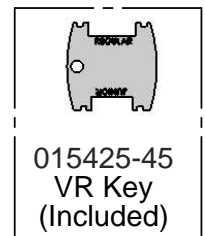
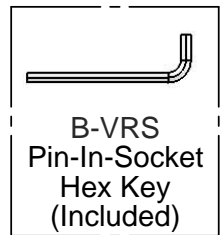
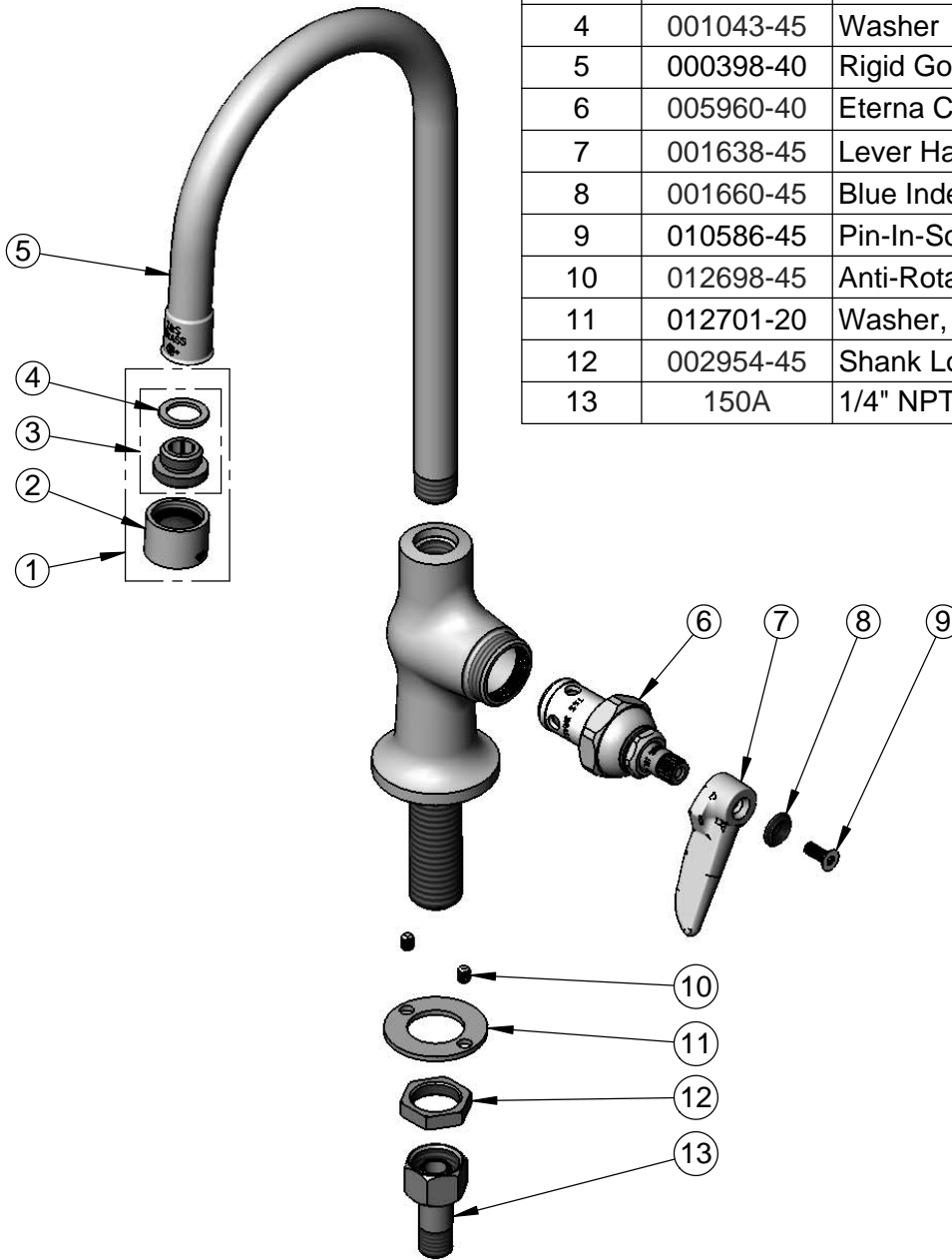
**T&S BRASS AND BRONZE WORKS, INC.**  
 2 Saddleback Cove / P.O. Box 1088  
 Travelers Rest, SC 29690

Model No.  
**B-0305-VR**

Item No.

Travelers Rest, SC: 800-476-4103 • Simi Valley, CA: 800-423-0150 • Fax: 864-834-3518 • www.tsbrass.com

ITEM NO.	SALES NO.	DESCRIPTION
1	B-0199-07	VR 2.2 GPM Aerator, 3/8" NPSM Male w/ Key
2	B-0199-06	VR 2.2 GPM Aerator w/ Key
3	044A	Adapter w/ Washer For B-0199-02 Aerator
4	001043-45	Washer
5	000398-40	Rigid Gooseneck
6	005960-40	Eterna Cartridge, RTC
7	001638-45	Lever Handle
8	001660-45	Blue Index-CW
9	010586-45	Pin-In-Socket Screw
10	012698-45	Anti-Rotation Pin (2)
11	012701-20	Washer, Shank - VR Bubbler
12	002954-45	Shank Lock Nut
13	150A	1/4" NPT Tailpiece & Nut



**Product Specifications:**

Single Hole Single Temperature Deck Mount Faucet, Vandal Resistant  
 Lever Handle, Vandal Resistant 2.2 GPM Aerator & Vandal Resistant  
 Anti-Rotation Counter Pins

**Product Compliance:**

ASME A112.18.1 / CSA B125.1  
 NSF 61 - Section 9  
 NSF 372 (Low Lead Content)  
 ANSI A117.1 (ADA)