



T&S BRASS AND BRONZE WORKS, INC.
 2 Saddleback Cove / P.O. Box 1088
 Travelers Rest, SC 29690

Model No.
B-0308-04QT-WS

Item No.

Travelers Rest, SC: 800-476-4103 • Simi Valley, CA: 800-423-0150 • Fax: 864-834-3518 • www.tsbrass.com



ADA Compliant

This Space for Architect/Engineer Approval

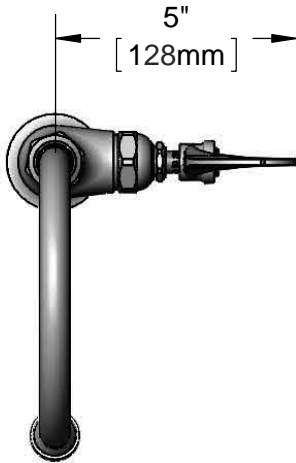
Job Name _____ Date _____

Model Specified _____ Quantity _____

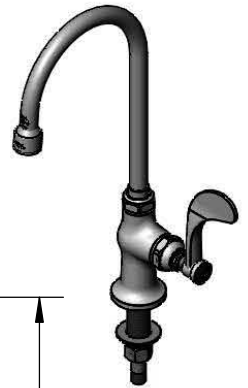
Customer/Wholesaler _____

Contractor _____

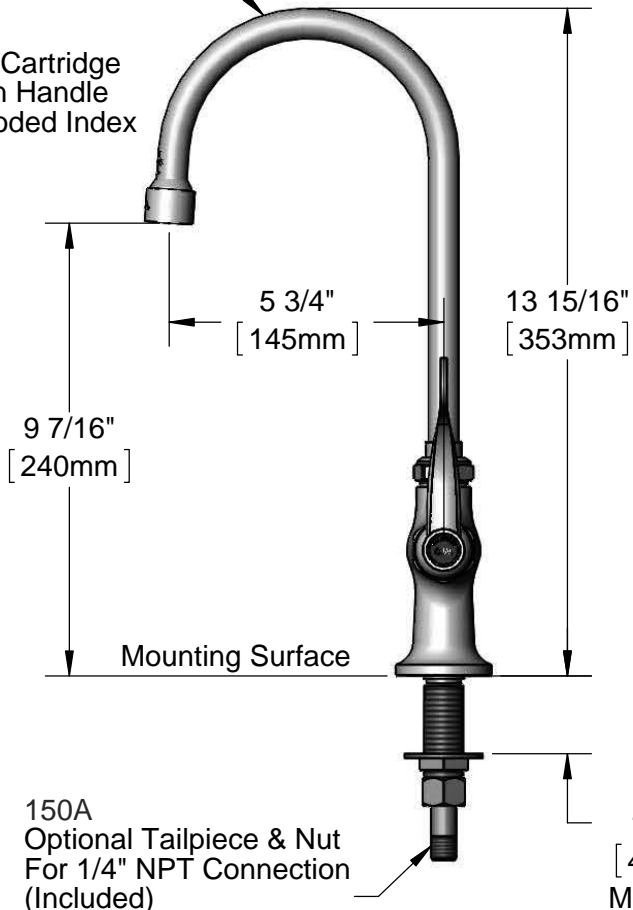
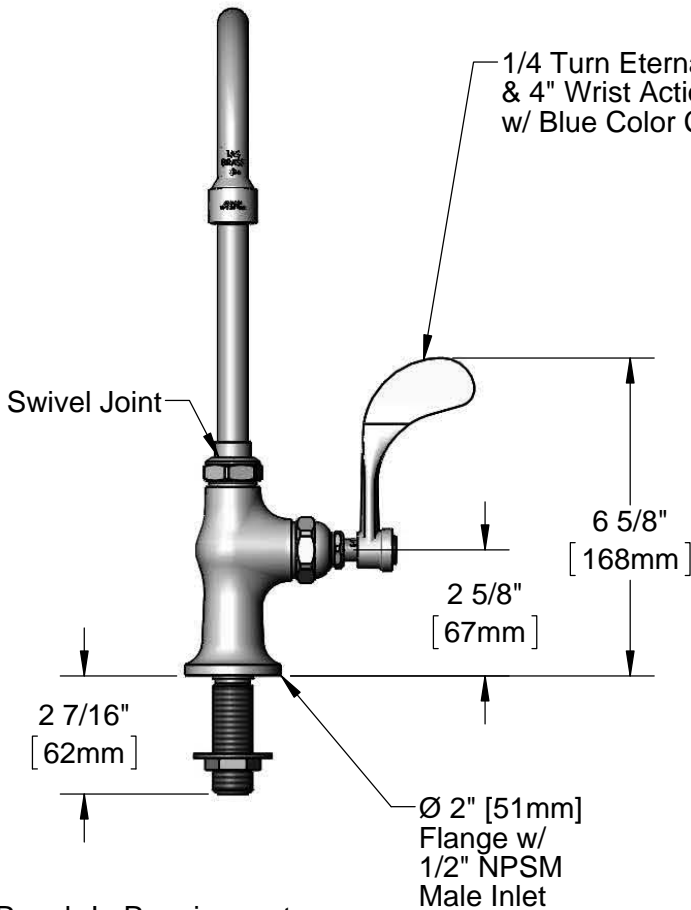
Architect/Engineer _____



Swivel Gooseneck w/
 B-0199-06-WS
 VR 1.5 GPM Aerator.
 Rigid Conversion
 Requires 014200-45 Lock
 Washer (Included)



1/4 Turn Eterna Cartridge
 & 4" Wrist Action Handle
 w/ Blue Color Coded Index



Rough-In Requirement:
 \varnothing 1" [25mm] Mounting Hole

Product Specifications:
 Single Hole Single Temperature Deck Mount Faucet, 1/4 Turn Eterna
 Cartridge, 4" Wrist Action Handle, Swivel Gooseneck, VR 1.5 GPM Aerator
 & 1/2" NPSM Male Inlet

Product Compliance:
 ASME A112.18.1 / CSA B125.1
 NSF 61 - Section 9
 NSF 372 (Low Lead Content)
 ANSI A117.1 (ADA)



T&S BRASS AND BRONZE WORKS, INC.

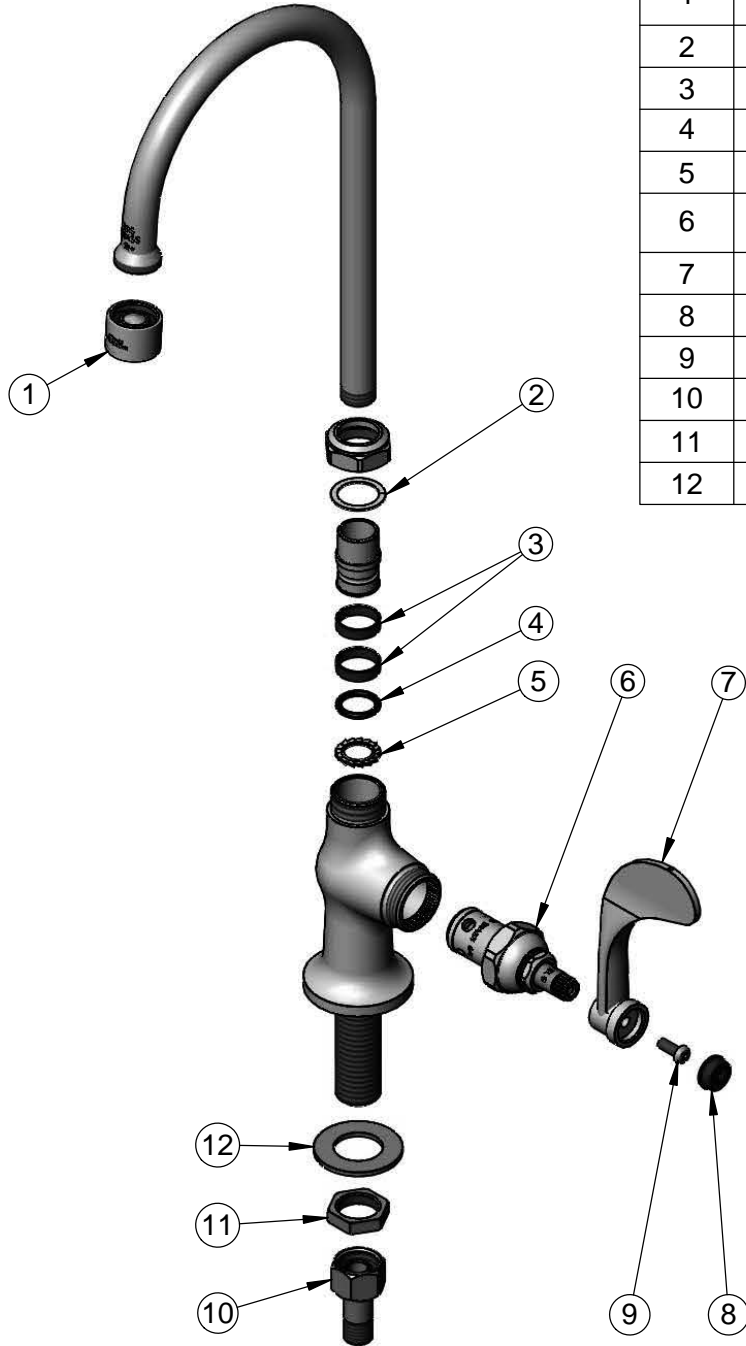
2 Saddleback Cove / P.O. Box 1088
Travelers Rest, SC 29690

Model No.

B-0308-04QT-WS

Item No.

Travelers Rest, SC: 800-476-4103 • Simi Valley, CA: 800-423-0150 • Fax: 864-834-3518 • www.tsbrass.com



ITEM NO.	SALES NO.	DESCRIPTION
1	B-0199-06-WS	VR 1.5 GPM Aerator, 55/64-27 UN Female w/ Key
2	009538-45	Swivel Washer
3	011429-45	Swivel Sleeves (2)
4	001074-45	O-Ring
5	014200-45	Star Washer, Anti-Rotation
6	006010-40QT	1/4 Turn Eterna Cartridge, RTC (Teflon)
7	B-WH4	4" Wrist Action Handle
8	001686-45	Blue Index-CW
9	000925-45	Lab Handle Screw
10	150A	1/4" NPT Tailpiece & Nut
11	002954-45	Shank Lock Nut
12	000999-45	Brass Lock Washer



015425-45
Vandal Resistant Key

Product Specifications:

Single Hole Single Temperature Deck Mount Faucet, 1/4 Turn Eterna Cartridge, 4" Wrist Action Handle, Swivel Gooseneck, VR 1.5 GPM Aerator & 1/2" NPSM Male Inlet

Product Compliance:

ASME A112.18.1 / CSA B125.1
NSF 61 - Section 9
NSF 372 (Low Lead Content)
ANSI A117.1 (ADA)