



T&S BRASS AND BRONZE WORKS, INC.

2 Saddleback Cove / P.O. Box 1088
Travelers Rest, SC 29690

Model No.

B-0308-QT-WS

Item No.

Travelers Rest, SC: 800-476-4103 • Simi Valley, CA: 800-423-0150 • Fax: 864-834-3518 • www.tsbrass.com



ADA Compliant

This Space for Architect/Engineer Approval

Job Name _____ Date _____

Model Specified _____ Quantity _____

Customer/Wholesaler _____

Contractor _____

Architect/Engineer _____



3 1/4"
[83mm]

Swivel Gooseneck w/
1.5 GPM Aerator.
Rigid conversion Requires
014200-45 Lock Washer
(Included)

1/4 Turn Eterna Cartridge
& Lever Handle w/ Color
Coded (Blue) Index

13 5/8"
[347mm]

Ø2"
[51mm]

2 5/8"
[67mm]

Mounting Surface

9 1/2"
[241mm]

2 7/16"
[62mm]

5 3/4"
[145mm]

1 5/8"
[38mm]
Maximum
Thickness

150A
Optional Tailpiece & Nut
for 1/4" NPT Connection
(Included)

1/2" NPSM
Male Inlet

Rough-In Requirement:
Ø1" [25mm] Mounting Hole

Product Specifications:
Single Pantry Faucet, w/ 1/2" NPSM Male Inlet, Quarter Turn Eterna
Cartridge, Lever Handle & Swivel Gooseneck w/ 1.5 GPM Aerator

Product Compliance:
ASME A112.18.1 / CSA B125.1
NSF 372 (Low Lead Content)
ANSI A117.1 (ADA)

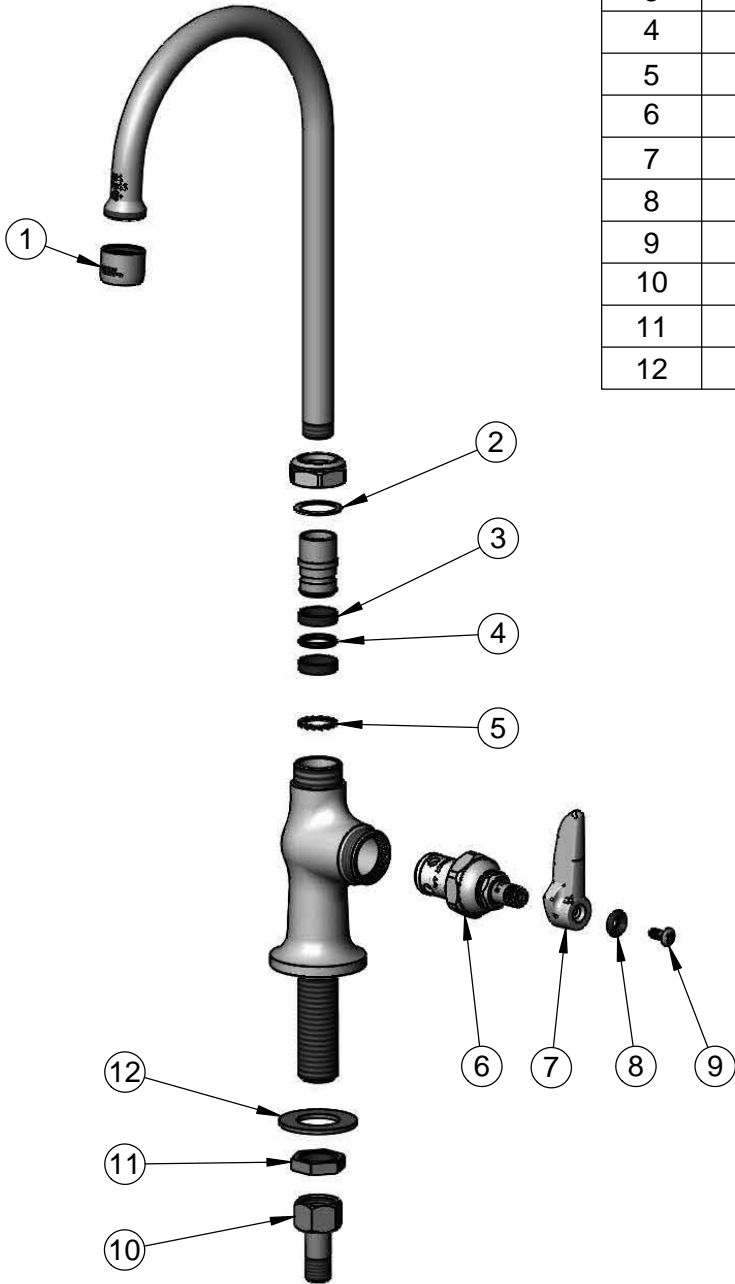


T&S BRASS AND BRONZE WORKS, INC.
 2 Saddleback Cove / P.O. Box 1088
 Travelers Rest, SC 29690

Model No.
B-0308-QT-WS
 Item No.

Travelers Rest, SC: 800-476-4103 • Simi Valley, CA: 800-423-0150 • Fax: 864-834-3518 • www.tsbrass.com

ITEM NO.	SALES NO.	DESCRIPTION
1	B-0199-01-WS	1.5 GPM Aerator, 55/64"-27UN Female
2	009538-45	Swivel Washer
3	011429-45	Swivel Sleeves (2)
4	001074-45	O-Ring
5	014200-45	Star Washer, Anti-Rotation
6	005960-40QT	1/4 Turn Eterna Cartridge, RTC
7	001638-45	Lever Handle
8	001660-45	Blue Index-CW
9	000922-45	Lever Handle Screw
10	150A	1/4" NPT Tailpiece & Nut
11	002954-45	Shank Lock Nut
12	000999-45	Brass Lock Washer



Product Specifications:
 Single Pantry Faucet, w/ 1/2" NPSM Male Inlet, Quarter Turn Eterna Cartridge, Lever Handle & Swivel Gooseneck w/ 1.5 GPM Aerator

Product Compliance:
 ASME A112.18.1 / CSA B125.1
 NSF 372 (Low Lead Content)
 ANSI A117.1 (ADA)