



T&S BRASS AND BRONZE WORKS, INC.

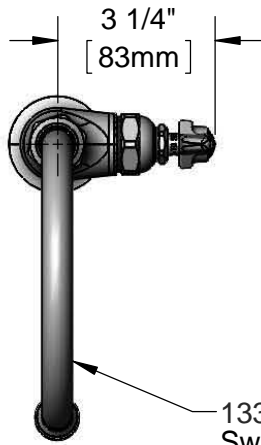
2 Saddleback Cove / P.O. Box 1088
Travelers Rest, SC 29690

Model No.

B-0308-QT

Item No.

Travelers Rest, SC: 800-476-4103 • Simi Valley, CA: 800-423-0150 • Fax: 864-834-3518 • www.tsbrass.com



ADA Compliant

This Space for Architect/Engineer Approval

Job Name _____ Date _____

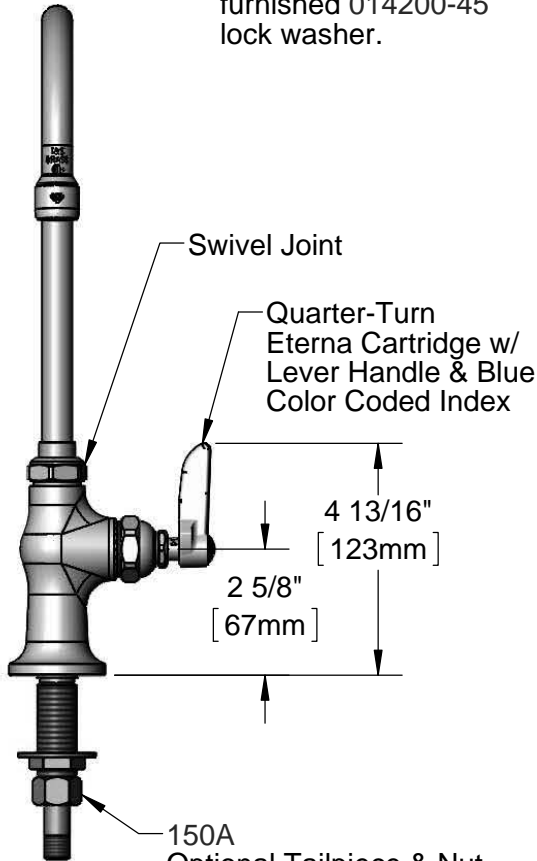
Model Specified _____ Quantity _____

Customer/Wholesaler _____

Contractor _____

Architect/Engineer _____

133X-AER
Swivel Gooseneck
w/ 2.2 GPM Aerator.
Converts to rigid with
furnished 014200-45
lock washer.



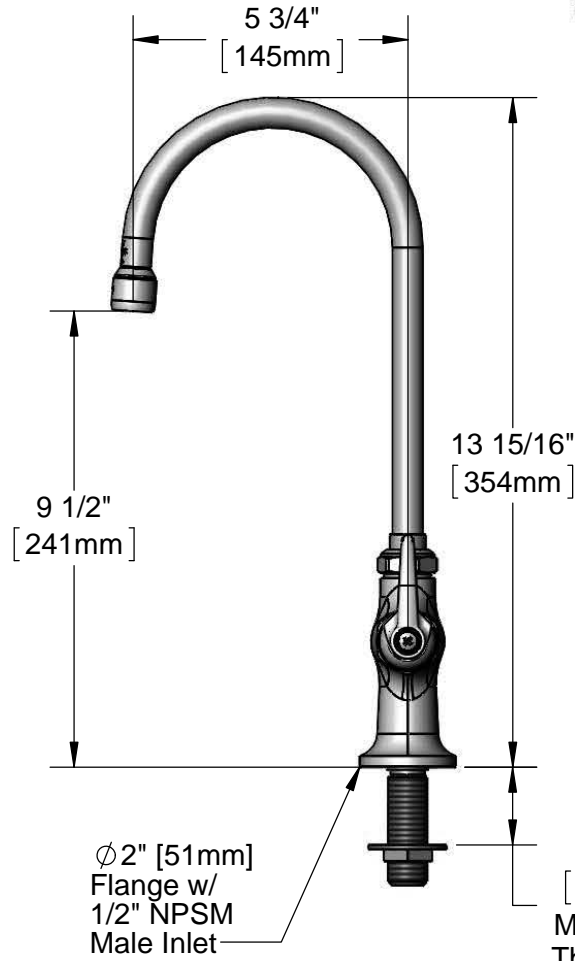
Swivel Joint

Quarter-Turn
Eterna Cartridge w/
Lever Handle & Blue
Color Coded Index

4 13/16"
[123mm]

2 5/8"
[67mm]

150A
Optional Tailpiece & Nut
For 1/4" NPT Connection
(Included)



9 1/2"
[241mm]

5 3/4"
[145mm]

13 15/16"
[354mm]

Ø2" [51mm]
Flange w/
1/2" NPSM
Male Inlet

1 5/8"
[41mm]
Maximum
Thickness

Rough-in Requirement:
Ø 1" [25mm] Hole

Product Specifications:
Single Pantry Faucet, Swivel Gooseneck, 2.2 GPM Aerator,
Quarter-Turn Eterna Cartridge, Lever Handle and 1/2" NPSM Male Inlet

Product Compliance:
ASME A112.18.1 / CSA B125.1
NSF 61 - Section 9
NSF 372 (Low Lead Content)
ANSI A117.1 (ADA)

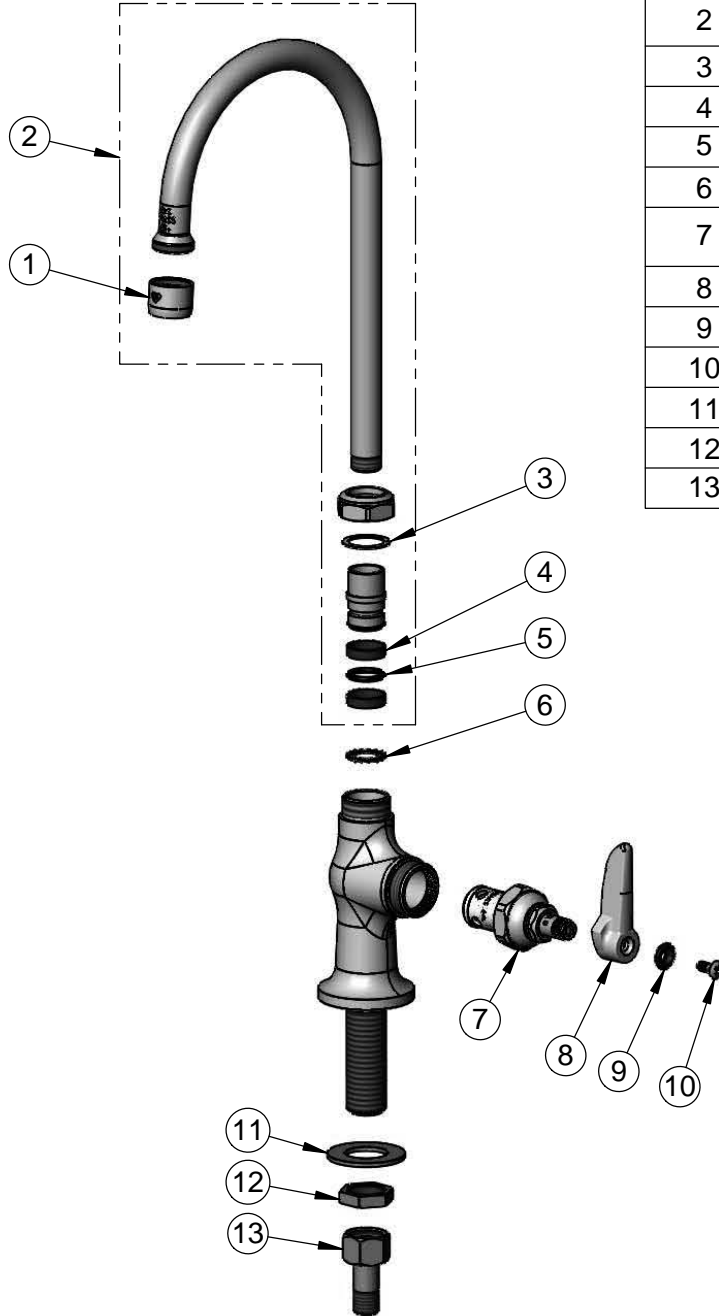


T&S BRASS AND BRONZE WORKS, INC.
 2 Saddleback Cove / P.O. Box 1088
 Travelers Rest, SC 29690

Model No.
B-0308-QT

Item No.

Travelers Rest, SC: 800-476-4103 • Simi Valley, CA: 800-423-0150 • Fax: 864-834-3518 • www.tsbrass.com



ITEM NO.	SALES NO.	DESCRIPTION
1	B-0199-01	2.2 GPM Aerator, 55/64"-27 UN Female
2	133X-AER	133X Swivel Gooseneck w/ 2.2 GPM Aerator
3	009538-45	Swivel Washer
4	011429-45	Swivel Sleeves (2)
5	001074-45	O-Ring
6	014200-45	Star Washer, Anti-Rotation
7	005960-40QT	Quarter-Turn Eterna Cartridge, RTC
8	001638-45	Lever Handle
9	001660-45	Blue Index-CW
10	000922-45	Lever Handle Screw
11	000999-45	Brass Lock Washer
12	002954-45	Shank Lock Nut
13	150A	1/4" NPT Tailpiece & Nut

Product Specifications:
 Single Pantry Faucet, Swivel Gooseneck, 2.2 GPM Aerator,
 Quarter-Turn Eterna Cartridge, Lever Handle and 1/2" NPSM Male Inlet

Product Compliance:
 ASME A112.18.1 / CSA B125.1
 NSF 61 - Section 9
 NSF 372 (Low Lead Content)
 ANSI A117.1 (ADA)