



T&S BRASS AND BRONZE WORKS, INC.

2 Saddleback Cove / P.O. Box 1088
Travelers Rest, SC 29690



REG. #A2601
ISO #9001

Model No.

B-0318-01

Item No.

Travelers Rest, SC: 800-476-4103 Simi Valley, CA: 800-423-0150 Fax: 864-834-3518 www.tsbrass.com

This Space for Architect/Engineer Approval

Job Name _____ Date _____

Model Specified _____ Quantity _____

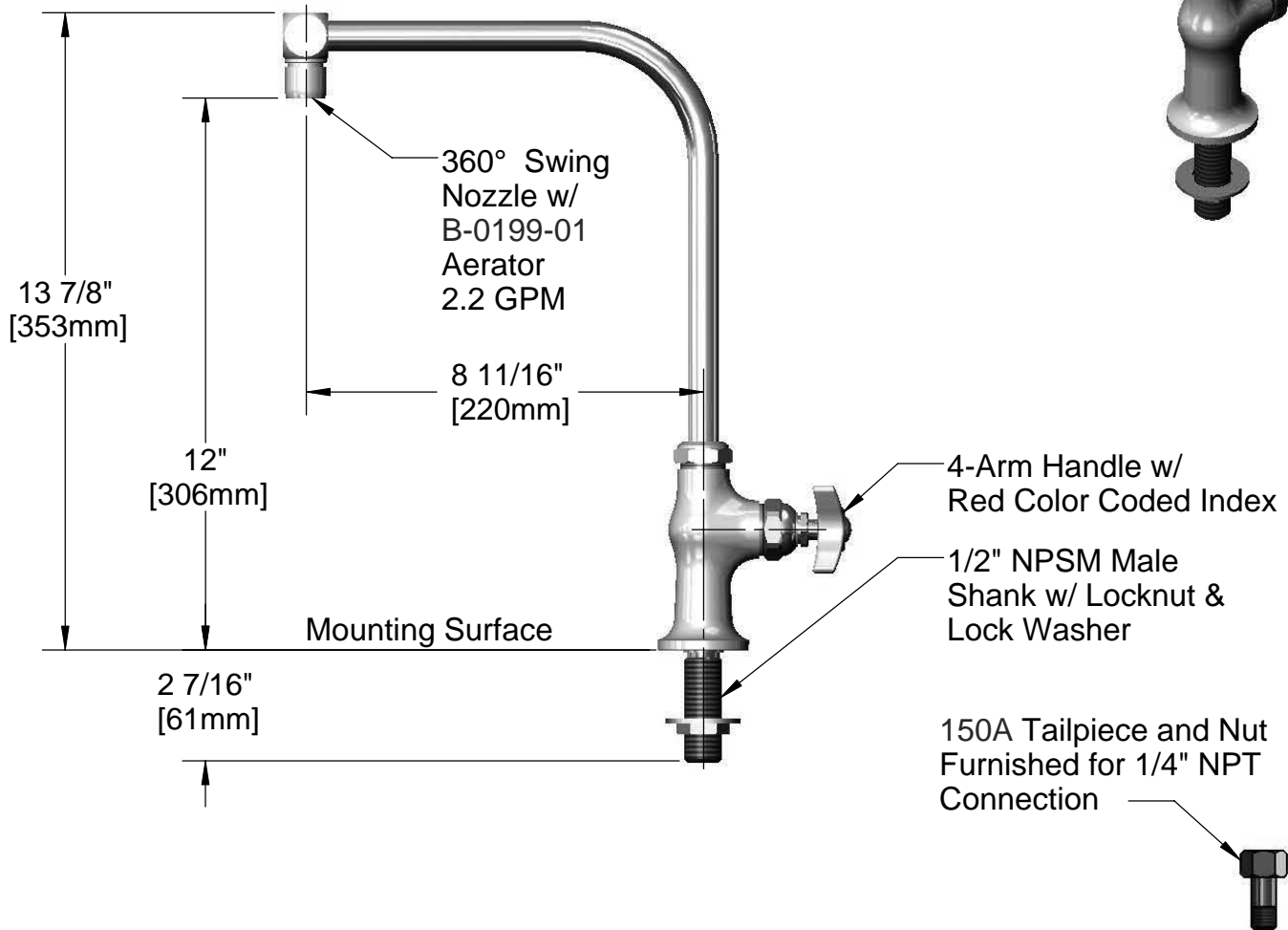
Customer/Wholesaler _____

Contractor _____

Architect/Engineer _____



ADA Compliant



Rough-in Requirement: Ø1" [25mm] Hole

Product Specifications:
Pot Filler Base & 13 7/8" (Overall Height) Swing Nozzle
w/ 2.2 GPM Aerator, 4 Arm Handle & Red Color Coded Index

Drawn DMH	Checked JRM	Approved JHB
Scale: 1:4		Date: 12/11/09



T&S BRASS AND BRONZE WORKS, INC.

2 Saddleback Cove / P.O. Box 1088
Travelers Rest, SC 29690



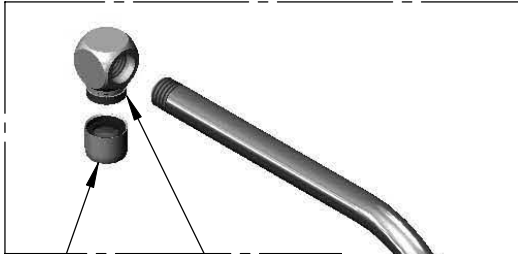
REG. #A2601
ISO #9001

Model No.

B-0318-01

Item No.

Travelers Rest, SC: 800-476-4103 Simi Valley, CA: 800-423-0150 Fax: 864-834-3518 www.tsbrass.com



① ②

③

④

⑤

⑥

⑦

⑧

⑨

⑩

⑪

⑫

⑬

ITEM NO.	SALES NO.	DESCRIPTION
1	B-0199-01	2.2 GPM Aerator, Female
2	002823-40	Cube
3	017778-40	B-0318 Swing Nozzle (13 7/8") Assembly
4	001524-40	Swivel Nut
5	001023-45	Swivel Sleeve
6	001074-45	O-Ring
7	000999-45	Brass Lock Washer
8	002954-45	Shank Lock Nut
9	005960-40	Spindle Asm, Eterna "Hot"
10	002521-45	4-Arm Handle
11	001661-45	Red Index-HW
12	000922-45	Lever Handle Screw
13	150A	Bag of (1) Nut & (1) Tailpiece

Product Specifications:

Pot Filler Base & 13 7/8" (Overall Height) Swing Nozzle
w/ 2.2 GPM Aerator, 4 Arm Handle & Red Color Coded Index

Drawn DMH	Checked JRM	Approved JHB
Scale: 1:4		Date: 12/11/09