



# T&S BRASS AND BRONZE WORKS, INC.

2 Saddleback Cove / P.O. Box 1088  
Travelers Rest, SC 29690



REG. #A2601  
ISO #9001

Model No.

**B-0318-02**

Item No.

Travelers Rest, SC: 800-476-4103 Simi Valley, CA: 800-423-0150 Fax: 864-834-3518 www.tsbrass.com

This Space for Architect/Engineer Approval

Job Name \_\_\_\_\_ Date \_\_\_\_\_

Model Specified \_\_\_\_\_ Quantity \_\_\_\_\_

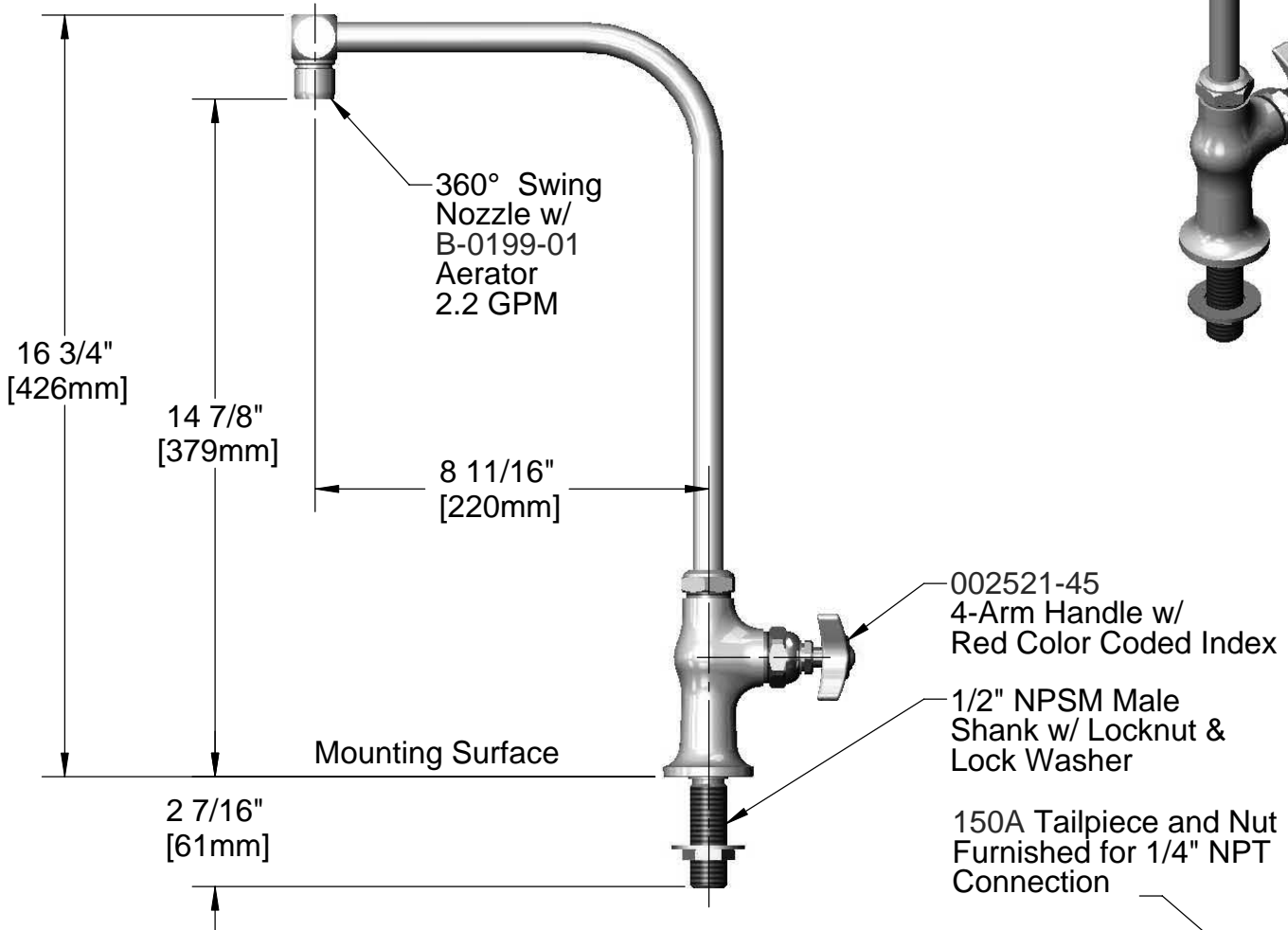
Customer/Wholesaler \_\_\_\_\_

Contractor \_\_\_\_\_

Architect/Engineer \_\_\_\_\_



**ADA Compliant**



Rough-in Requirements:  
Ø1" [25mm] Hole

Product Specifications:

**Pot Filler Base & Swing Nozzle w/ 2.2 GPM Aerator, 4 Arm Handle & Red Color Coded Index w/ Extended Nozzle Height**

Drawn <b>DMH</b>	Checked <b>JRM</b>	Approved <b>JHB</b>
Scale: <b>1:4</b>		Date: <b>12/11/09</b>



**T&S BRASS AND BRONZE WORKS, INC.**

2 Saddleback Cove / P.O. Box 1088  
Travelers Rest, SC 29690



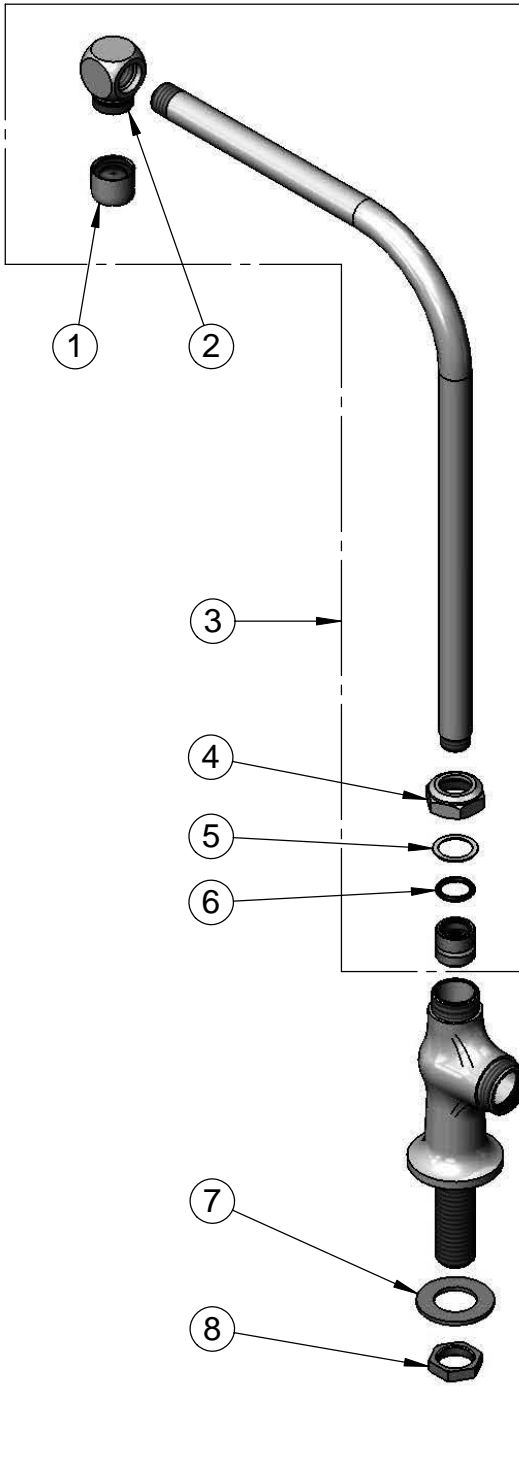
REG. #A2601  
ISO #9001

Model No.

**B-0318-02**

Item No.

Travelers Rest, SC: 800-476-4103 Simi Valley, CA: 800-423-0150 Fax: 864-834-3518 www.tsbrass.com



ITEM NO.	SALES NO.	DESCRIPTION
1	B-0199-01	2.2 GPM Aerator, Female
2	002823-40	Cube
3	017715-40	B-0318-02 Swing Nozzle Assembly
4	001524-40	Swivel Nut
5	001023-45	Swivel Sleeve
6	001074-45	O-Ring
7	000999-45	Brass Lock Washer
8	002954-45	Shank Lock Nut
9	005960-40	Spindle Asm, Eterna "Hot"
10	002521-45	4-Arm Handle
11	001661-45	Red Index-HW
12	000922-45	Lever Handle Screw
13	150A	Bag of (1) Nut & (1) Tailpiece

Product Specifications:

Pot Filler Base & Swing Nozzle w/ 2.2 GPM Aerator,  
4 Arm Handle & Red Color Coded Index w/ Extended  
Nozzle Height

Drawn <b>DMH</b>	Checked <b>JRM</b>	Approved <b>JHB</b>
Scale: <b>1:4</b>		Date: <b>12/11/09</b>