



T&S BRASS AND BRONZE WORKS, INC.

2 Saddleback Cove / P.O. Box 1088
Travelers Rest, SC 29690

Model No.

B-0320

Item No.

Travelers Rest, SC: 800-476-4103 • Simi Valley, CA: 800-423-0150 • Fax: 864-834-3518 • www.tsbrass.com



ADA Compliant

This Space for Architect/Engineer Approval

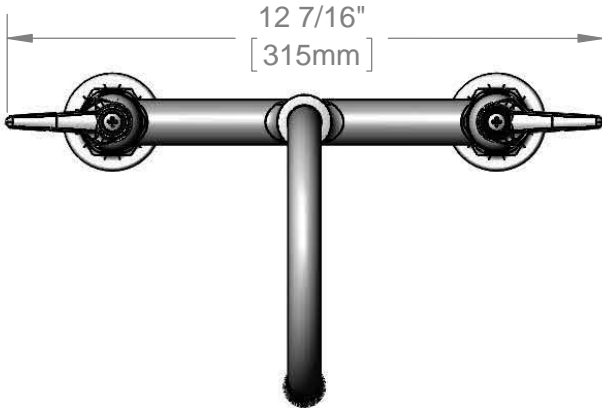
Job Name _____ Date _____

Model Specified _____ Quantity _____

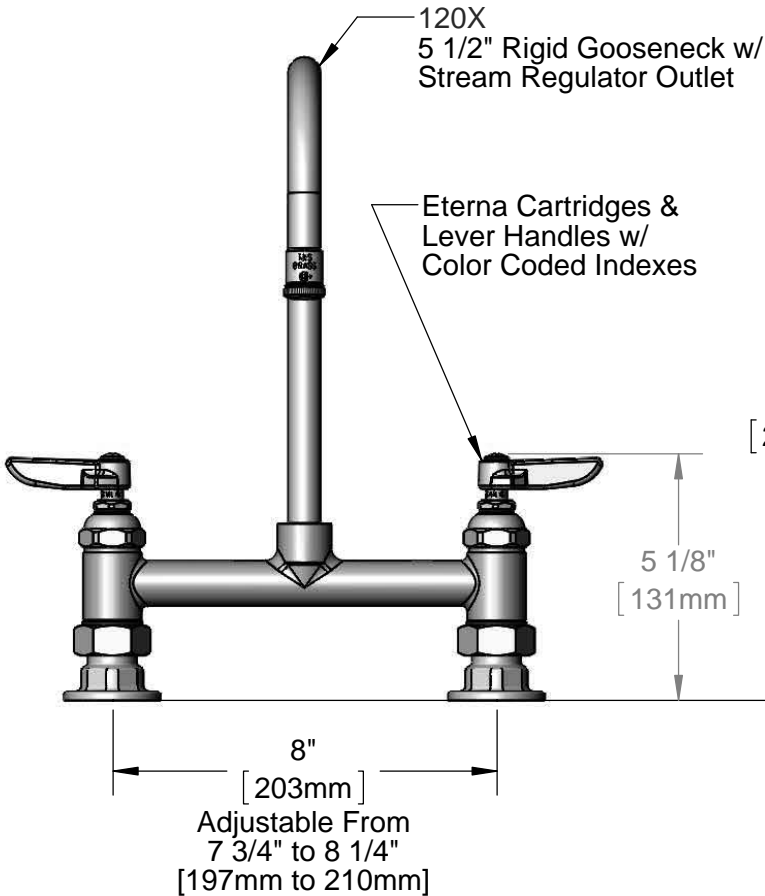
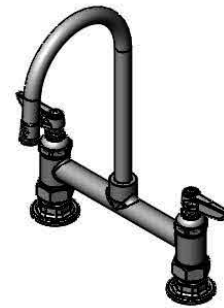
Customer/Wholesaler _____

Contractor _____

Architect/Engineer _____



12 7/16"
[315mm]

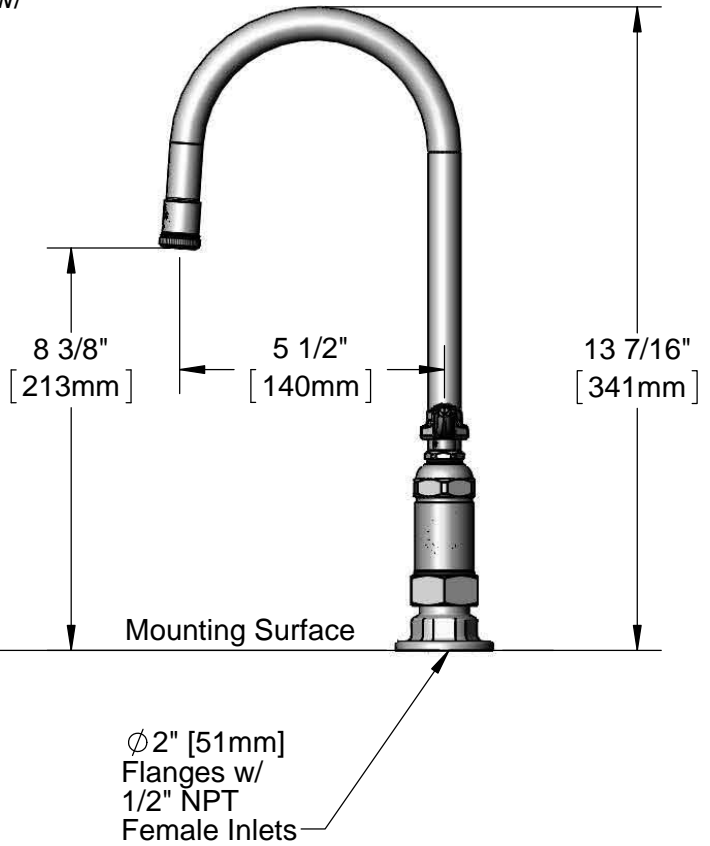


120X
5 1/2" Rigid Gooseneck w/
Stream Regulator Outlet

Eterna Cartridges &
Lever Handles w/
Color Coded Indexes

5 1/8"
[131mm]

8"
[203mm]
Adjustable From
7 3/4" to 8 1/4"
[197mm to 210mm]



8 3/8"
[213mm]

5 1/2"
[140mm]

13 7/16"
[341mm]

Mounting Surface

Ø2" [51mm]
Flanges w/
1/2" NPT
Female Inlets

Product Specifications:

8" Deck Mount Mixing Faucet, Eterna Cartridges, Lever Handles, 5 1/2" Rigid Gooseneck & 1/2" NPT Female Inlets

Product Compliance:

ASME A112.18.1 / CSA B125.1
NSF 61 - Section 9
NSF 372 (Low Lead Content)
ANSI A117.1 (ADA)



T&S BRASS AND BRONZE WORKS, INC.

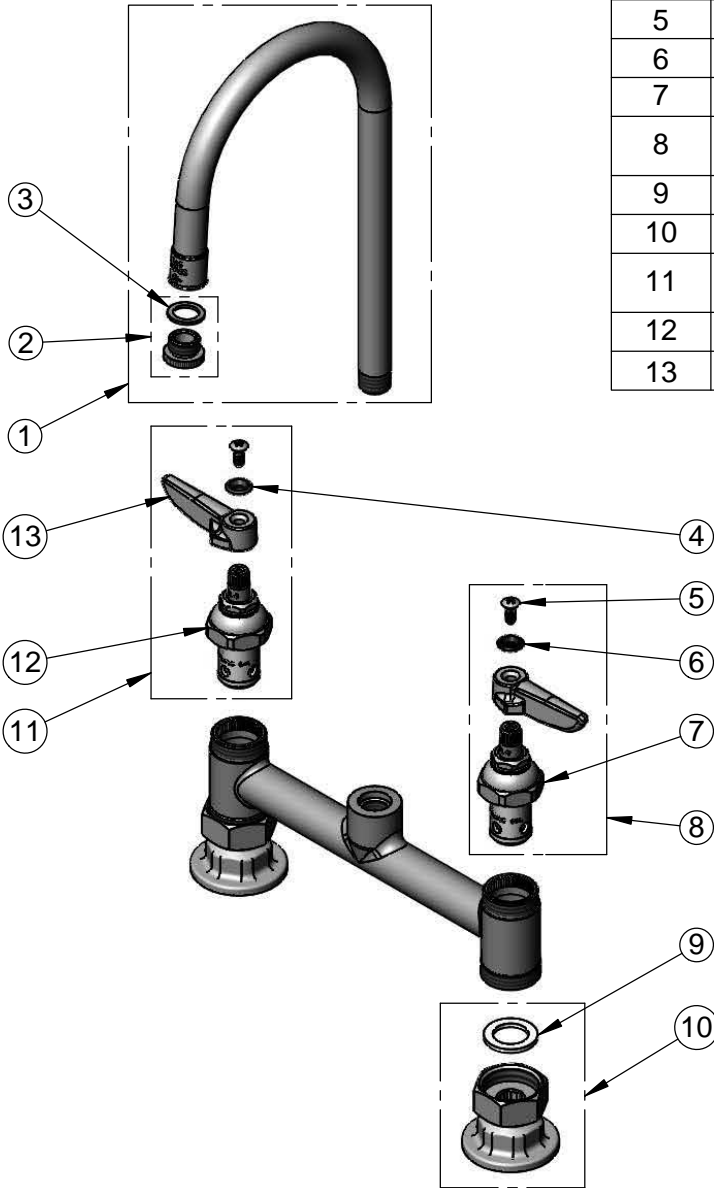
2 Saddleback Cove / P.O. Box 1088
Travelers Rest, SC 29690

Model No.

B-0320

Item No.

Travelers Rest, SC: 800-476-4103 • Simi Valley, CA: 800-423-0150 • Fax: 864-834-3518 • www.tsbrass.com



ITEM NO.	SALES NO.	DESCRIPTION
1	120X	5 1/2" Rigid Gooseneck
2	B-LT	Stream Regulator Outlet
3	001043-45	Washer
4	001661-45	Red Index-HW
5	000922-45	Lever Handle Screw
6	001660-45	Blue Index-CW
7	005959-40	Eterna Cartridge, LTC
8	002713-40	Eterna Cartridge, LTC w/ Handle, Index & Screw
9	001019-45	Coupling Nut Washer
10	00AA	1/2" NPT Female Eccentric Flange
11	002714-40	Eterna Cartridge, RTC w/ Handle, Index & Screw
12	005960-40	Eterna Cartridge, RTC
13	001638-45	Lever Handle

Product Specifications:

8" Deck Mount Mixing Faucet, Eterna Cartridges, Lever Handles, 5 1/2" Rigid Gooseneck & 1/2" NPT Female Inlets

Product Compliance:

ASME A112.18.1 / CSA B125.1
NSF 61 - Section 9
NSF 372 (Low Lead Content)
ANSI A117.1 (ADA)