



T&S BRASS AND BRONZE WORKS, INC.
 2 Saddleback Cove / P.O. Box 1088
 Travelers Rest, SC 29690

Model No.
B-0322-04

Item No.

Travelers Rest, SC: 800-476-4103 • Simi Valley, CA: 800-423-0150 • Fax: 864-834-3518 • www.tsbrass.com



ADA Compliant

This Space for Architect/Engineer Approval

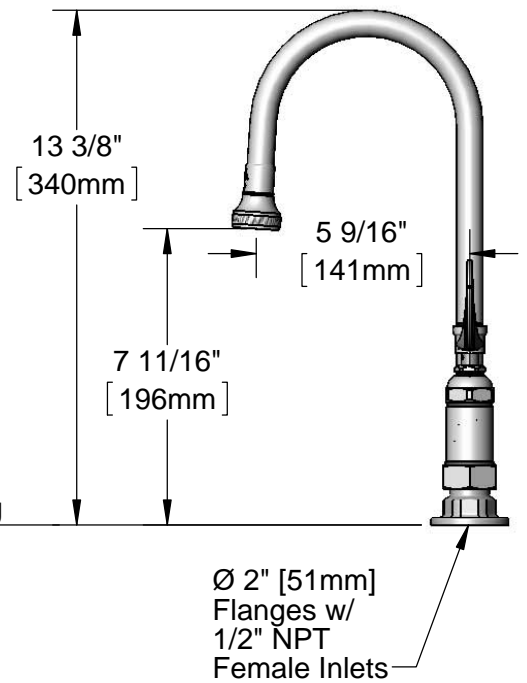
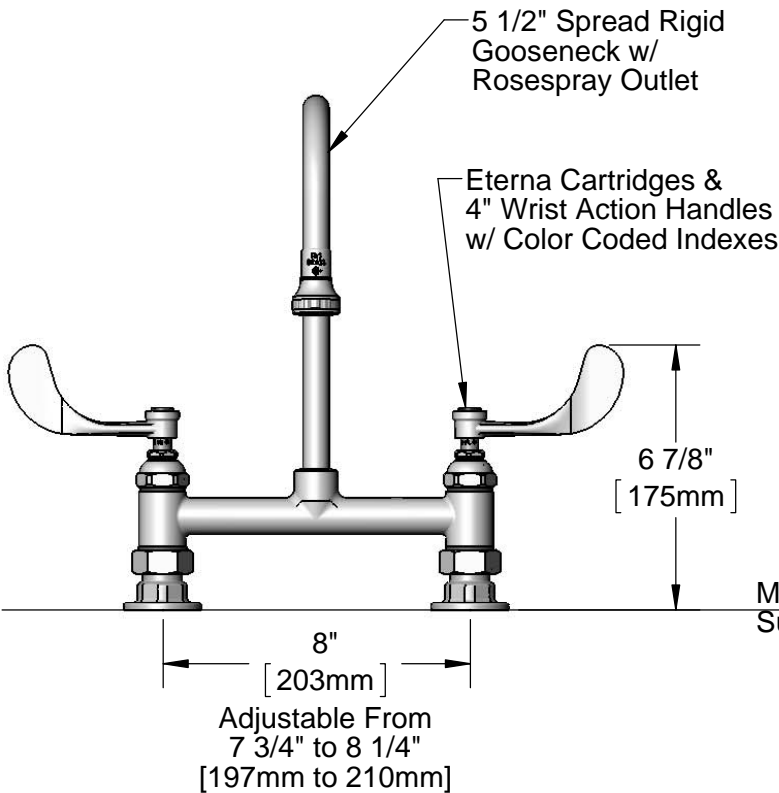
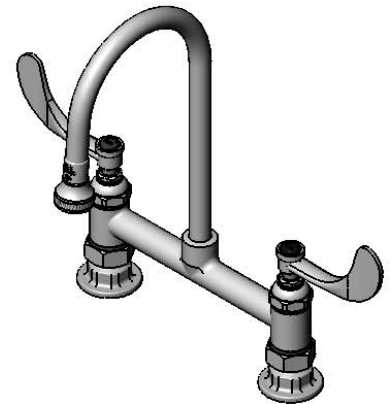
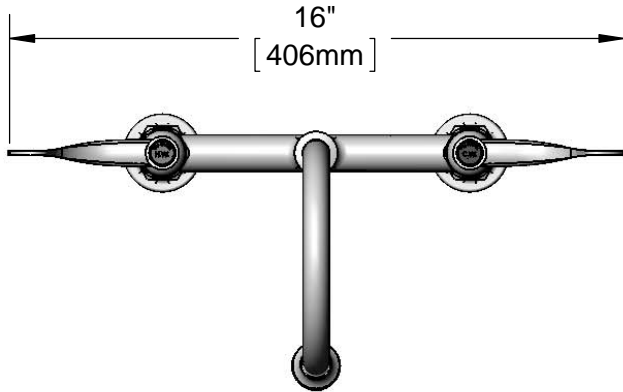
Job Name _____ Date _____

Model Specified _____ Quantity _____

Customer/Wholesaler _____

Contractor _____

Architect/Engineer _____



Product Specifications:

8" Deck Mount Mixing Faucet w/ Eterna Cartridges, 4" Wrist Action Handles, 5 1/2" Spread Rigid Gooseneck w/ Rosespray & 1/2" NPT Female Inlets

Product Compliance:

ASME A112.18.1 / CSA B125.1
 NSF 61 - Section 9
 NSF 372 (Low Lead Content)
 ANSI A117.1 (ADA)

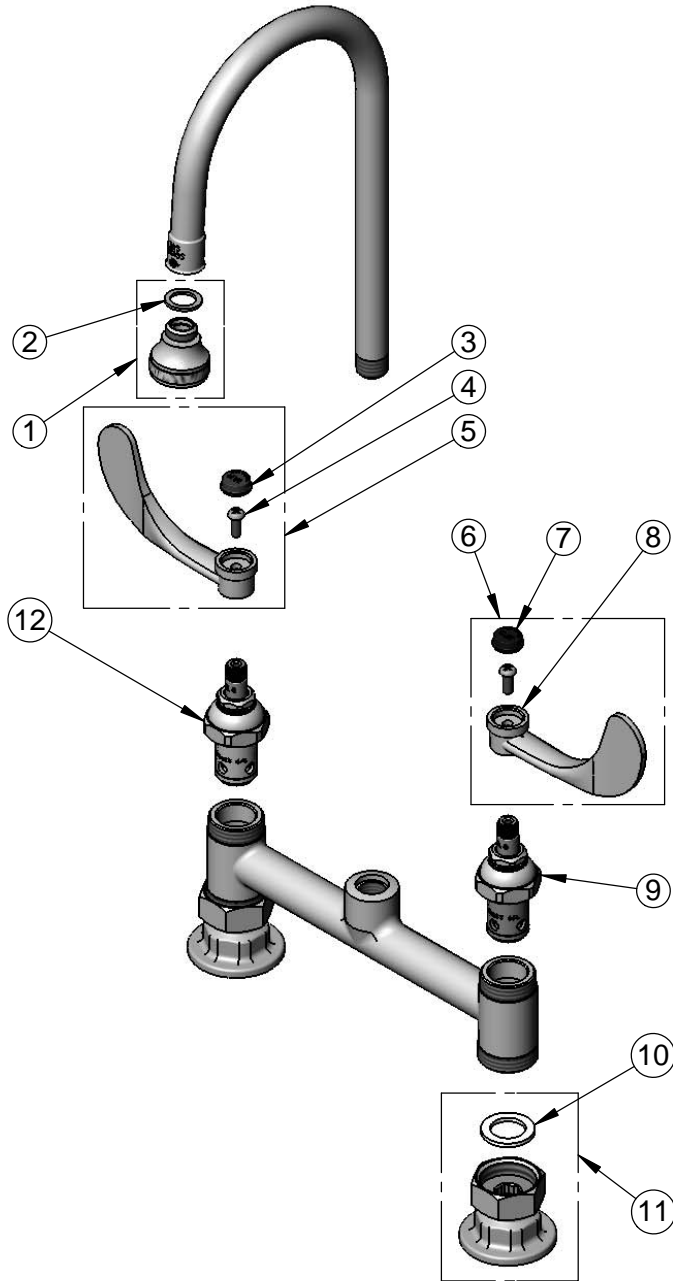


T&S BRASS AND BRONZE WORKS, INC.
 2 Saddleback Cove / P.O. Box 1088
 Travelers Rest, SC 29690

Model No.
B-0322-04

Item No.

Travelers Rest, SC: 800-476-4103 • Simi Valley, CA: 800-423-0150 • Fax: 864-834-3518 • www.tsbrass.com



ITEM NO.	SALES NO.	DESCRIPTION
1	B-0103	Rosespray w/ Washer
2	001043-45	Washer
3	001194-45	Red HW Index
4	000925-45	Lab Handle Screw
5	B-WH4H	4" Wrist Action Handle, Screw & Hot Index
6	B-WH4C	4" Wrist Action Handle, Screw & Cold Index
7	001686-45	Blue CW Index
8	B-WH4	4" Wrist Action Handle
9	006009-40	Eterna Cartridge, LTC (Teflon)
10	001019-45	Coupling Nut Washer
11	00AA	1/2" NPT Female Eccentric Flange
12	006010-40	Eterna Cartridge, RTC (Teflon)

Product Specifications:

8" Deck Mount Mixing Faucet w/ Eterna Cartridges, 4" Wrist Action Handles, 5 1/2" Spread Rigid Gooseneck w/ Rosespray & 1/2" NPT Female Inlets

Product Compliance:

ASME A112.18.1 / CSA B125.1
 NSF 61 - Section 9
 NSF 372 (Low Lead Content)
 ANSI A117.1 (ADA)