



T&S BRASS AND BRONZE WORKS, INC.

2 Saddleback Cove / P.O. Box 1088
Travelers Rest, SC 29690

Model No.

B-0325-A22

Item No.

Travelers Rest, SC: 800-476-4103 • Simi Valley, CA: 800-423-0150 • Fax: 864-834-3518 • www.tsbrass.com



ADA Compliant

This Space for Architect/Engineer Approval

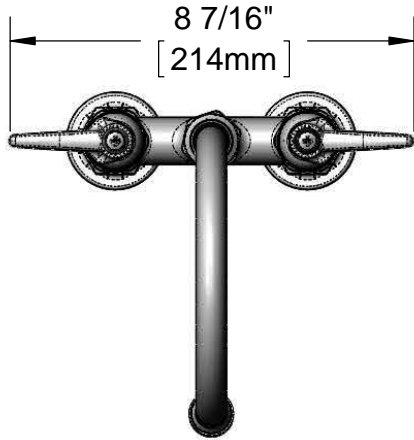
Job Name _____ Date _____

Model Specified _____ Quantity _____

Customer/Wholesaler _____

Contractor _____

Architect/Engineer _____



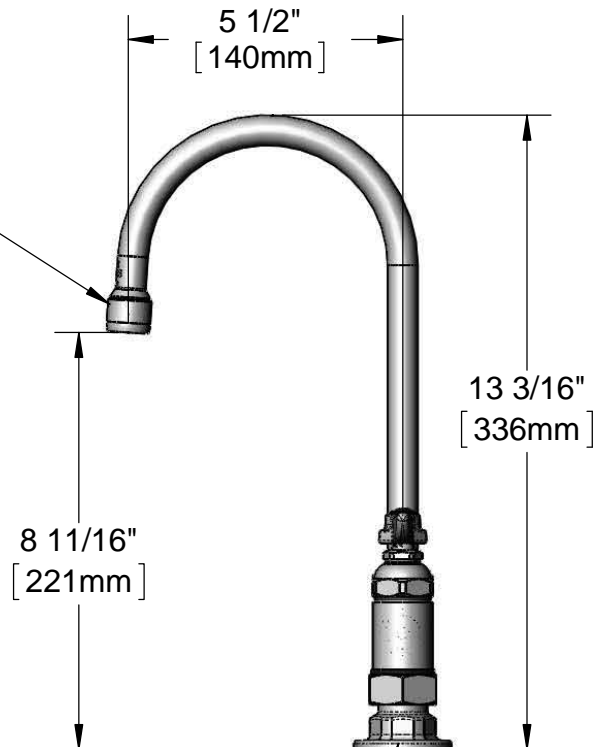
8 7/16"

[214mm]

Swivel Gooseneck w/
B-0199-01
2.2 GPM Aerator

Eterna Cartridges &
Lever Handles w/
Color Coded Indexes

Mounting Surface



5 1/2"

[140mm]

13 3/16"

[336mm]

8 11/16"

[221mm]

Ø 2" [51mm]

Flanges w/
1/2" NPT

Female Inlets

4"
[102mm]

Adjustable from
3 3/4" to 4 1/4"
[95mm to 108mm]

Note: Rough-In Requirement

Ø 1" [25mm] Mounting Holes

Product Specifications:

4" c/c Double Pantry Faucet, Eterna Cartridges, Swivel Gooseneck w/ 2.2 GPM Aerator, Lever Handles & 1/2" NPT Female Inlets

Drawn

KJG

Checked

DMH

Approved

JHB

Scale:

1:4

Date:

04/12/12



T&S BRASS AND BRONZE WORKS, INC.

2 Saddleback Cove / P.O. Box 1088
Travelers Rest, SC 29690

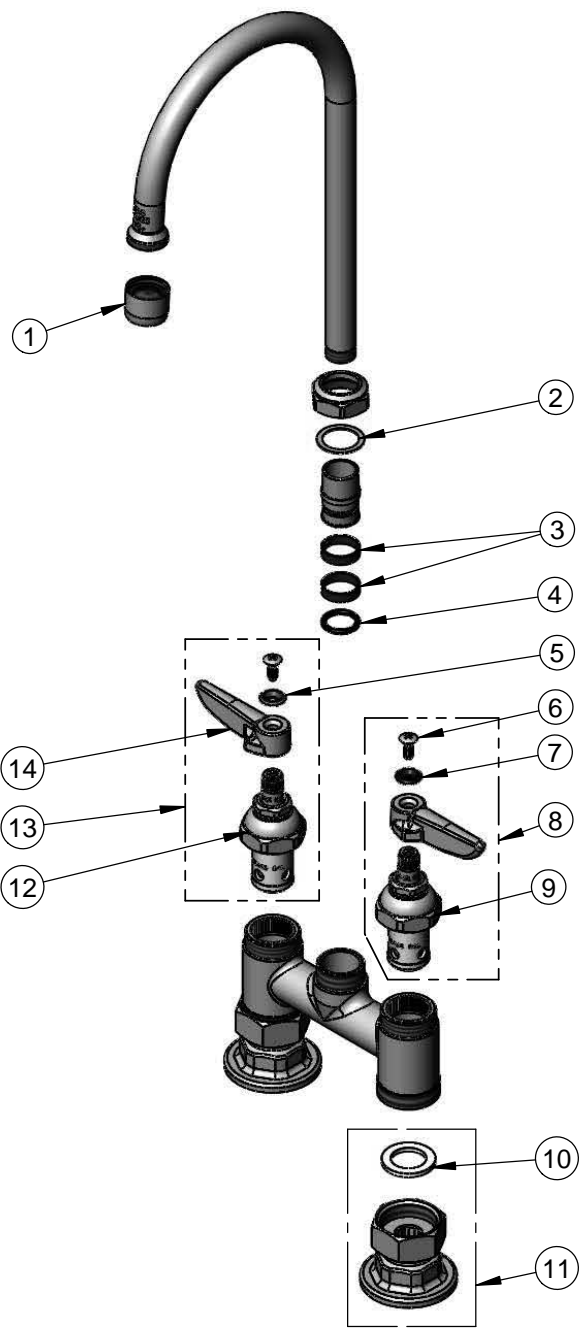
Model No.

B-0325-A22

Item No.

Travelers Rest, SC: 800-476-4103 • Simi Valley, CA: 800-423-0150 • Fax: 864-834-3518 • www.tsbrass.com

ITEM NO.	SALES NO.	DESCRIPTION
1	B-0199-01	2.2 GPM Aerator, Female
2	009538-45	Swivel Washer
3	011429-45	Swivel Sleeves (2)
4	001074-45	O-Ring
5	001661-45	Red Index-HW
6	000922-45	Lever Handle Screw
7	001660-45	Blue Index-CW
8	002713-40	Eterna Cartridge LTC w/ Handle, Index & Screw
9	005959-40	Eterna Cartridge, LTC
10	001019-45	Coupling Nut Washer
11	00AA	Flange Assembly
12	005960-40	Eterna Cartridge, RTC
13	002714-40	Eterna Cartridge RTC w/ Handle, Index & Screw
14	001638-45	Lever Handle



Product Specifications:
4" c/c Double Pantry Faucet, Eterna Cartridges, Swivel Gooseneck w/ 2.2 GPM Aerator, Lever Handles & 1/2" NPT Female Inlets

Drawn KJG	Checked DMH	Approved JHB
Scale: NTS		Date: 04/12/12