



# T&S BRASS AND BRONZE WORKS, INC.

2 Saddleback Cove / P.O. Box 1088  
Travelers Rest, SC 29690

Model No.

**B-0325-CC-CR**

Item No.

Travelers Rest, SC: 800-476-4103 Simi Valley, CA: 800-423-0150 Fax: 864-834-3518 www.tsbrass.com

This Space for Architect/Engineer Approval

Job Name \_\_\_\_\_ Date \_\_\_\_\_

Model Specified \_\_\_\_\_ Quantity \_\_\_\_\_

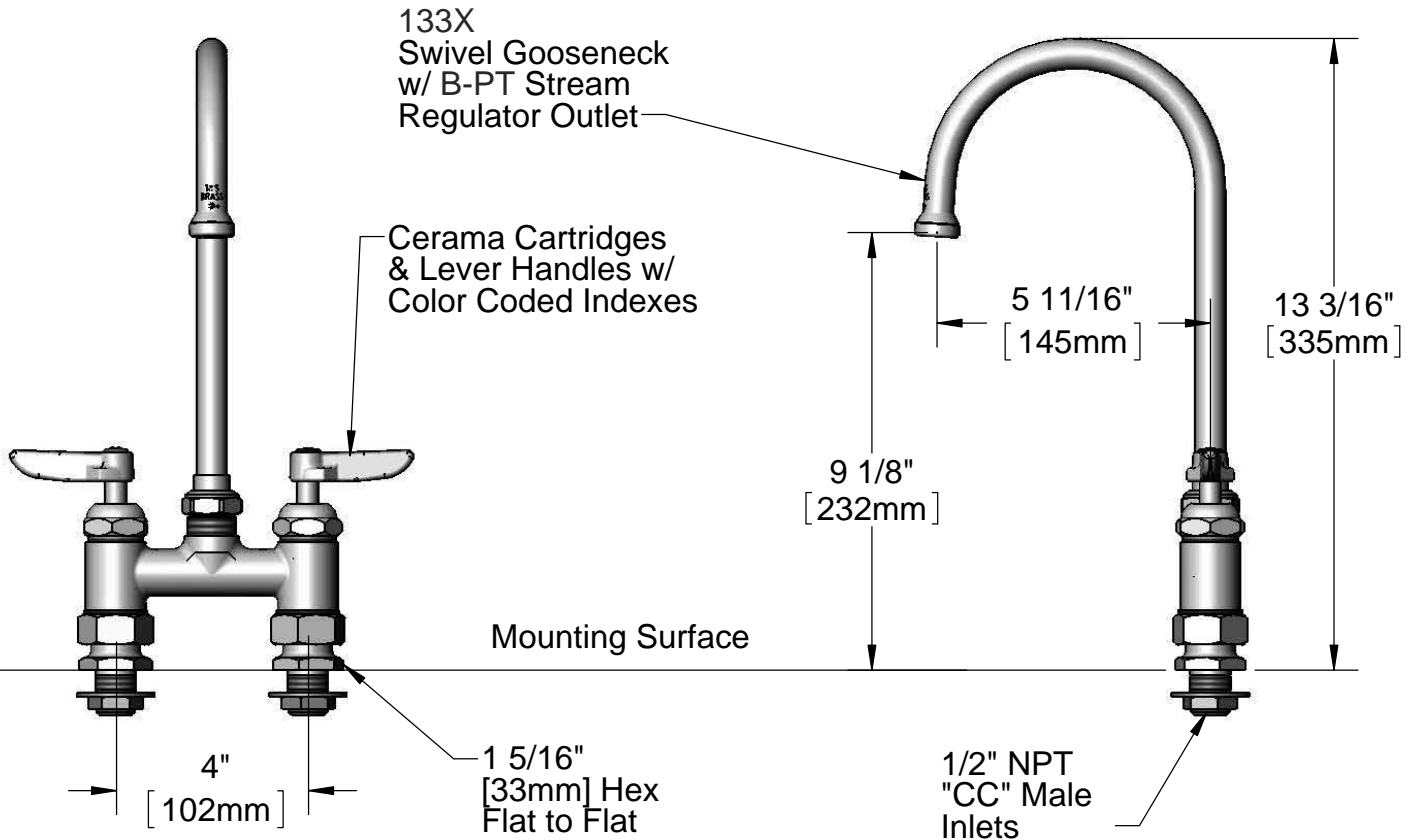
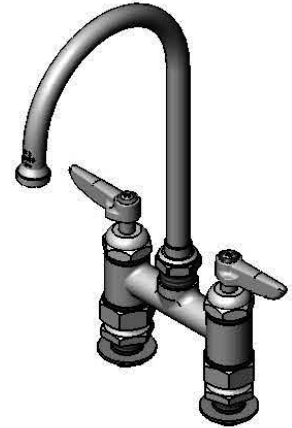
Customer/Wholesaler \_\_\_\_\_

Contractor \_\_\_\_\_

Architect/Engineer \_\_\_\_\_



**ADA Compliant**



Note: Rough-In Requirement  
(2)  $\phi$  1" [25mm] Mounting Holes

Product Specifications:

4" c/c Deck Mount Mixing Faucet w/ Cerama Cartridges, Lever Handles, Swivel Gooseneck w/ B-PT Stream Regulator Outlet & 1/2" NPT "CC" Male Inlets

Drawn  
**KJG**

Checked  
**GEF**

Approved  
**JHB**

Scale:

**1:4**

Date:

**11/28/11**



**T&S BRASS AND BRONZE WORKS, INC.**

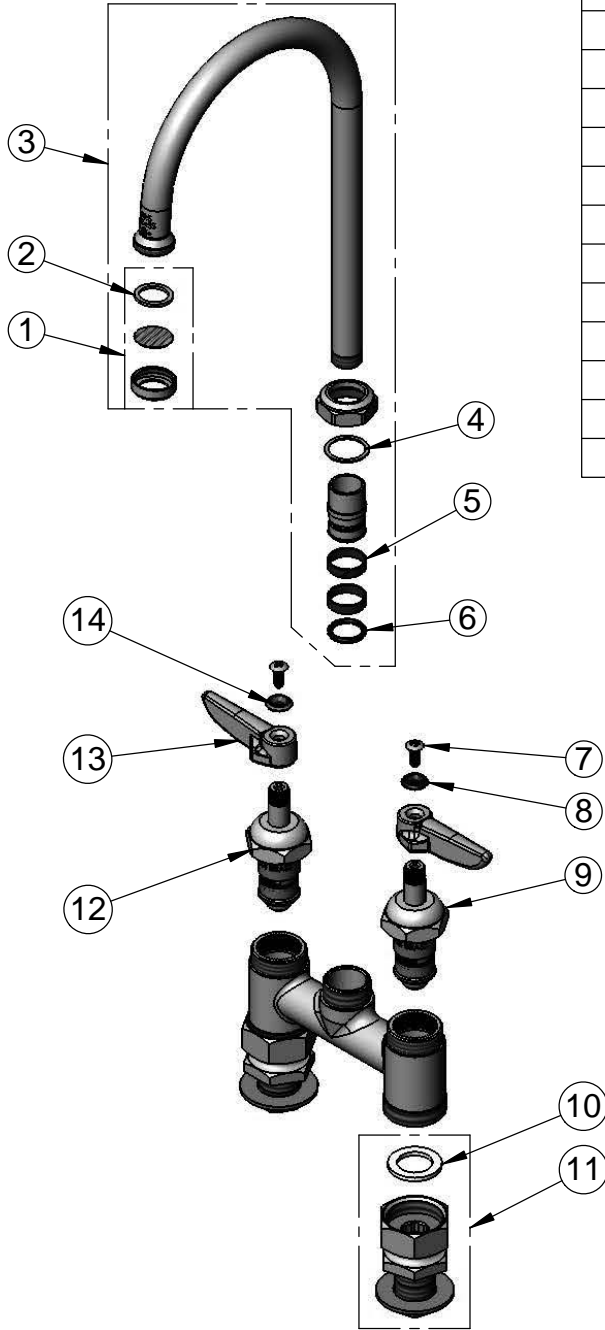
2 Saddleback Cove / P.O. Box 1088  
Travelers Rest, SC 29690

Model No.

**B-0325-CC-CR**

Item No.

Travelers Rest, SC: 800-476-4103 Simi Valley, CA: 800-423-0150 Fax: 864-834-3518 www.tsbrass.com



ITEM NO.	SALES NO.	DESCRIPTION
1	B-PT	Stream Regulator Outlet
2	001048-45	Nozzle Tip Washer
3	133X	Swivel Gooseneck
4	009538-45	Swivel Washer
5	011429-45	Swivel Sleeves (2)
6	001074-45	O-Ring
7	000922-45	Lever Handle Screw
8	001660-45	Blue Index-CW
9	011279-25	Cerama Cartridge LTC
10	001019-45	Coupling Nut Washer
11	00CC	Male Inlet, 1/2" NPT
12	011278-25	Cerama Cartridge RTC
13	001638-45	Lever Handle
14	001661-45	Red Index-HW

Product Specifications:

4" c/c Deck Mount Mixing Faucet w/ Cerama Cartridges,  
Lever Handles, Swivel Gooseneck w/ B-PT Stream Regulator  
Outlet & 1/2" NPT "CC" Male Inlets

Drawn <b>KJG</b>	Checked <b>GEF</b>	Approved <b>JHB</b>
Scale: <b>1:4</b>		Date: <b>11/28/11</b>