



# T&S BRASS AND BRONZE WORKS, INC.

2 Saddleback Cove / P.O. Box 1088  
Travelers Rest, SC 29690

Model No.

**B-0325-WH4**

Item No.

Travelers Rest, SC: 800-476-4103 • Simi Valley, CA: 800-423-0150 • Fax: 864-834-3518 • www.tsbrass.com



**ADA Compliant**

This Space for Architect/Engineer Approval

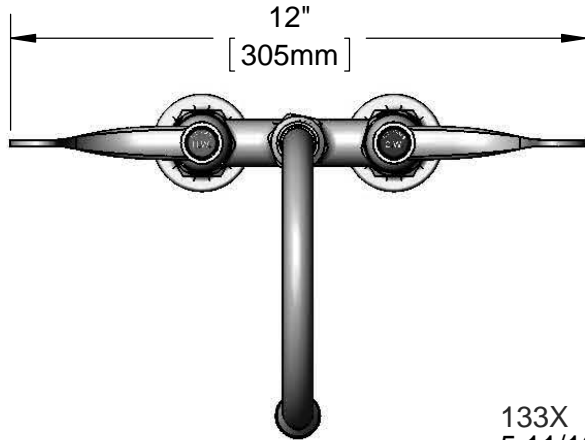
Job Name \_\_\_\_\_ Date \_\_\_\_\_

Model Specified \_\_\_\_\_ Quantity \_\_\_\_\_

Customer/Wholesaler \_\_\_\_\_

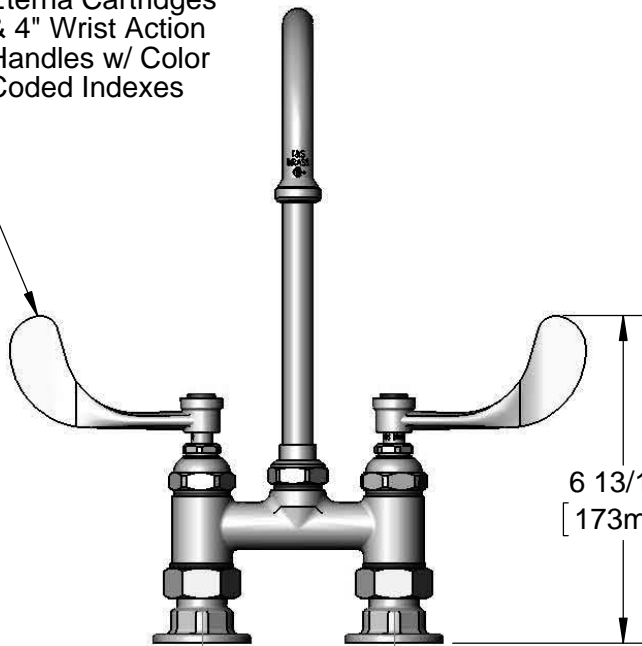
Contractor \_\_\_\_\_

Architect/Engineer \_\_\_\_\_



133X  
5 11/16" Swivel Gooseneck  
w/ Stream Regulator Outlet

Eterna Cartridges  
& 4" Wrist Action  
Handles w/ Color  
Coded Indexes



4"  
[102mm]  
Adjustable from  
3 3/4" to 4 1/4"  
[95mm to 108mm]

Ø2"  
[51mm]  
Flanges w/  
1/2" NPT  
Female Inlets

**Product Specifications:**

4" Deck Mount Mixing Faucet, Eterna Cartridges, 4" Wrist Action Handles, 6" Swivel Gooseneck w/ Stream Regulator Outlet & 1/2" NPT Female Inlet Flanges

**Product Compliance:**

ASME A112.18.1 / CSA B125.1  
NSF 61 - Section 9  
NSF 372 (Low Lead Content)  
ANSI A117.1 (ADA)



# T&S BRASS AND BRONZE WORKS, INC.

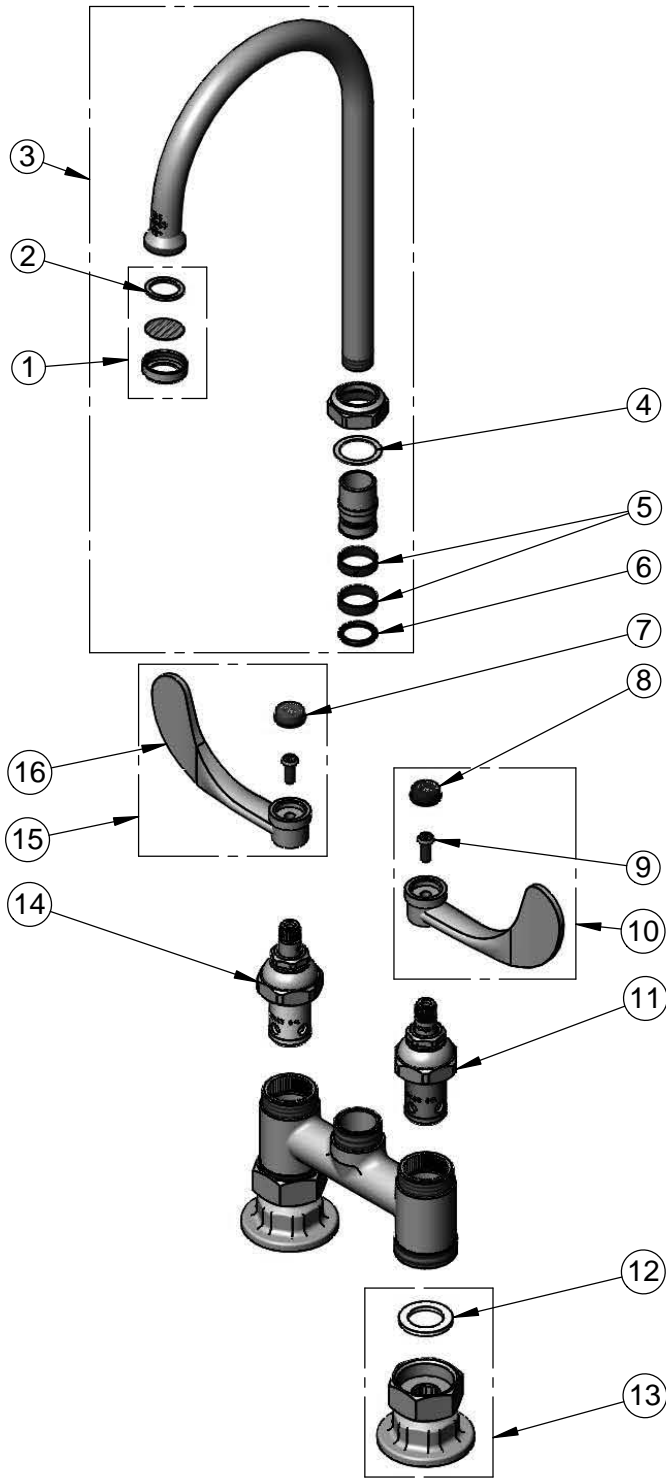
2 Saddleback Cove / P.O. Box 1088  
Travelers Rest, SC 29690

Model No.

**B-0325-WH4**

Item No.

Travelers Rest, SC: 800-476-4103 • Simi Valley, CA: 800-423-0150 • Fax: 864-834-3518 • www.tsbrass.com



ITEM NO.	SALES NO.	DESCRIPTION
1	B-PT	Stream Regulator Outlet
2	001048-45	Nozzle Tip Washer
3	133X	6" Swivel Gooseneck
4	009538-45	Swivel Washer
5	011429-45	Swivel Sleeves (2)
6	001074-45	O-Ring
7	001194-45	Red Index - HW
8	001686-45	Blue Index - CW
9	000925-45	Lab Handle Screw
10	B-WH4C	4" Wrist Action Handle, Screw & Cold Index
11	006009-40	Eterna Cartridge, LTC (Teflon)
12	001019-45	Coupling Nut Washer
13	00AA	1/2" NPT Female Eccentric Flange
14	006010-40	Eterna Cartridge, RTC (Teflon)
15	B-WH4H	4" Wrist Action Handle, Screw & Hot Index
16	B-WH4	4" Wrist Action Handle

**Product Specifications:**

4" Deck Mount Mixing Faucet, Eterna Cartridges, 4" Wrist Action Handles, 6" Swivel Gooseneck w/ Stream Regulator Outlet & 1/2" NPT Female Inlet Flanges

**Product Compliance:**

ASME A112.18.1 / CSA B125.1  
NSF 61 - Section 9  
NSF 372 (Low Lead Content)  
ANSI A117.1 (ADA)