



# T&S BRASS AND BRONZE WORKS, INC.

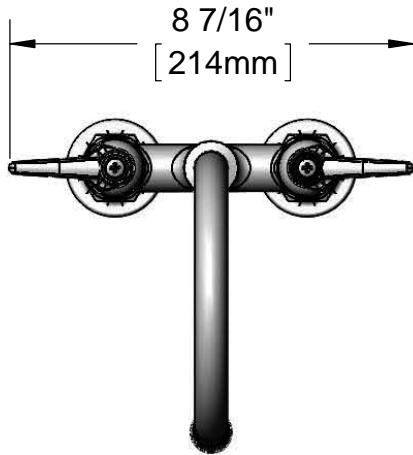
2 Saddleback Cove / P.O. Box 1088  
Travelers Rest, SC 29690

Model No.

**B-0326**

Item No.

Travelers Rest, SC: 800-476-4103 • Simi Valley, CA: 800-423-0150 • Fax: 864-834-3518 • www.tsbrass.com



**ADA Compliant**

This Space for Architect/Engineer Approval

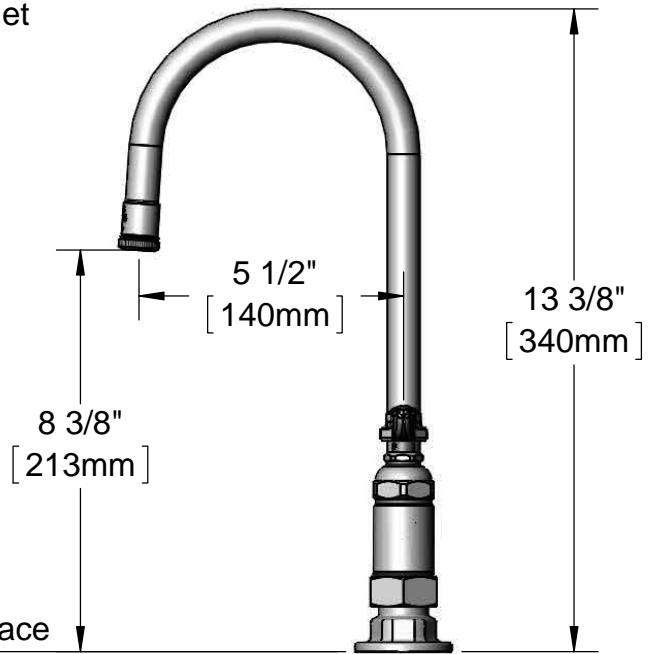
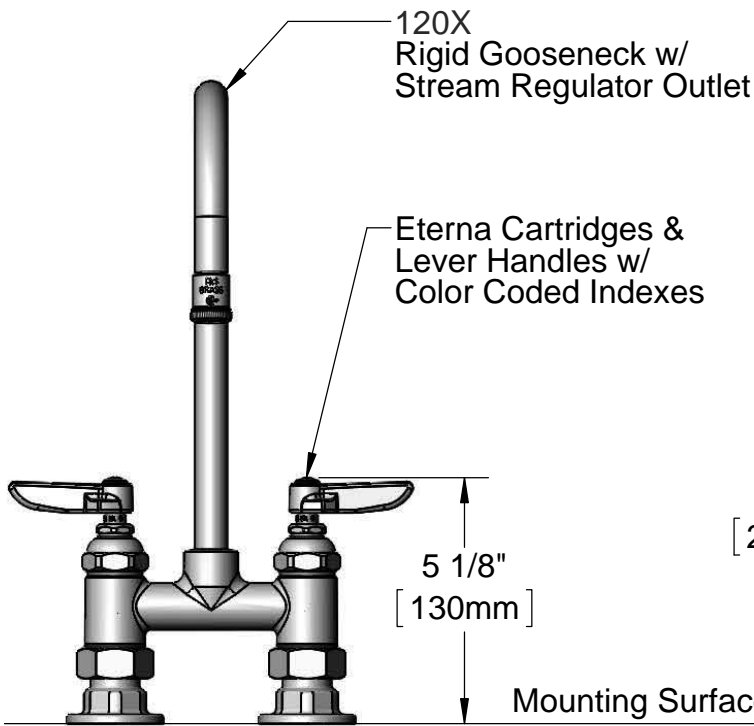
Job Name \_\_\_\_\_ Date \_\_\_\_\_

Model Specified \_\_\_\_\_ Quantity \_\_\_\_\_

Customer/Wholesaler \_\_\_\_\_

Contractor \_\_\_\_\_

Architect/Engineer \_\_\_\_\_



4"  
[102mm]  
Adjustable from  
3 3/4" to 4 1/4"  
[95mm to 108mm]

Ø 2" [51mm]  
Flanges w/  
1/2" NPT  
Female Inlets

**Product Specifications:**

4" Deck Mount Mixing Faucet, Eterna Cartridges, Lever Handles, 5 1/2" Rigid Gooseneck w/ Stream Regulator Outlet & 1/2" NPT Female Inlets

**Product Compliance:**

ASME A112.18.1 / CSA B125.1  
NSF 61 - Section 9  
NSF 372 (Low Lead Content)  
ANSI A117.1 (ADA)



# T&S BRASS AND BRONZE WORKS, INC.

2 Saddleback Cove / P.O. Box 1088  
Travelers Rest, SC 29690

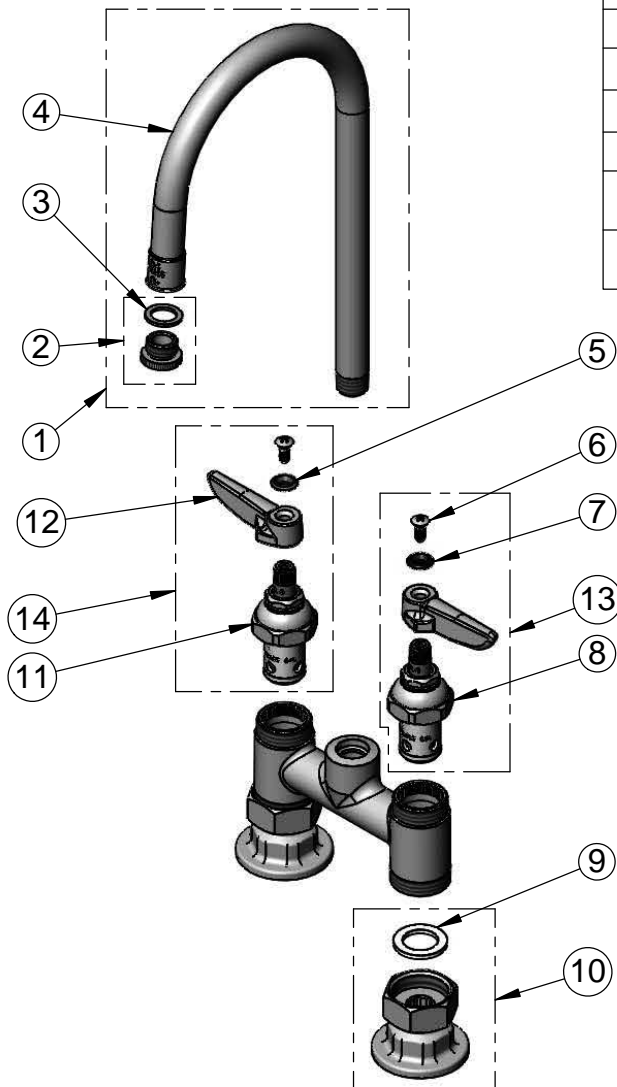
Model No.

**B-0326**

Item No.

Travelers Rest, SC: 800-476-4103 • Simi Valley, CA: 800-423-0150 • Fax: 864-834-3518 • www.tsbrass.com

| ITEM NO. | SALES NO. | DESCRIPTION                                    |
|----------|-----------|--|
| 1        | 120X      | Rigid Gooseneck                                |
| 2        | B-LT      | Stream Regulator Outlet                        |
| 3        | 001043-45 | Washer   |
| 4        | 000398-40 | 6" Rigid Gooseneck                             |
| 5        | 001661-45 | Red Index-HW                                   |
| 6        | 000922-45 | Lever Handle Screw                             |
| 7        | 001660-45 | Blue Index-CW                                  |
| 8        | 005959-40 | Eterna Cartridge, LTC                          |
| 9        | 001019-45 | Coupling Nut Washer                            |
| 10       | 00AA      | 1/2" NPT Female Eccentric Flange               |
| 11       | 005960-40 | Eterna Cartridge, RTC                          |
| 12       | 001638-45 | Lever Handle                                   |
| 13       | 002713-40 | Eterna Cartridge, LTC w/ Handle, Index & Screw |
| 14       | 002714-40 | Eterna Cartridge, RTC w/ Handle, Index & Screw |



**Product Specifications:**

4" Deck Mount Mixing Faucet, Eterna Cartridges, Lever Handles,  
5 1/2" Rigid Gooseneck w/ Stream Regulator Outlet & 1/2" NPT  
Female Inlets

**Product Compliance:**

ASME A112.18.1 / CSA B125.1  
NSF 61 - Section 9  
NSF 372 (Low Lead Content)  
ANSI A117.1 (ADA)