



T&S BRASS AND BRONZE WORKS, INC.
 2 Saddleback Cove / P.O. Box 1088
 Travelers Rest, SC 29690

Model No.
B-0330-01-W4F12

Item No.

Travelers Rest, SC: 800-476-4103 • Simi Valley, CA: 800-423-0150 • Fax: 864-834-3518 • www.tsbrass.com



ADA Compliant

This Space for Architect/Engineer Approval

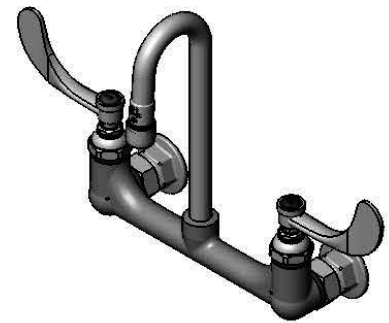
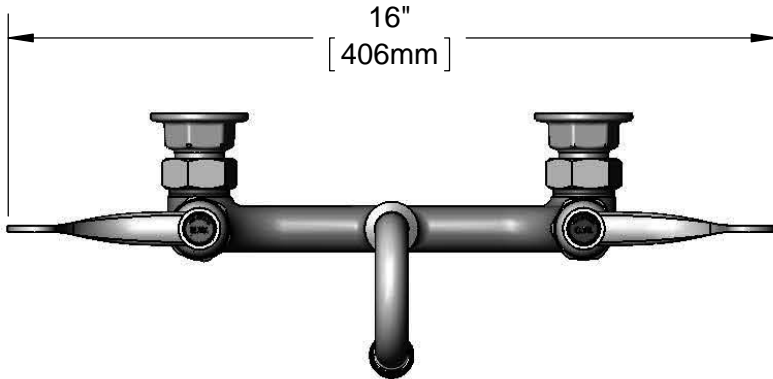
Job Name _____ Date _____

Model Specified _____ Quantity _____

Customer/Wholesaler _____

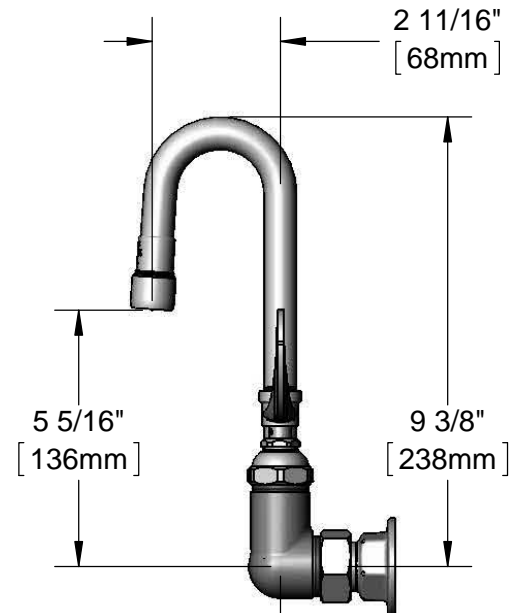
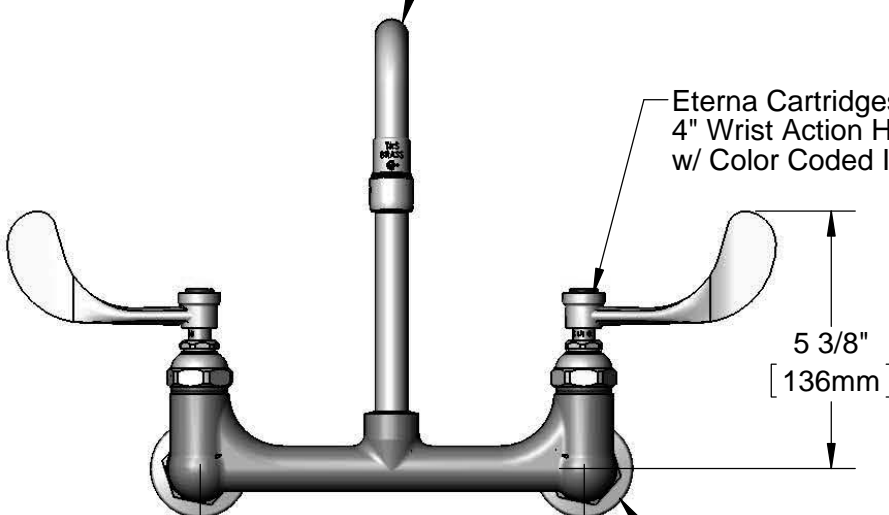
Contractor _____

Architect/Engineer _____



Rigid Gooseneck w/
 B-0199-02F-12
 1.2 GPM Aerator

Eterna Cartridges &
 4" Wrist Action Handles
 w/ Color Coded Indexes



8" [203mm]
 Adjustable From
 7 3/4" to 8 1/4"
 [197mm to 210mm]

Ø 2" [51mm]
 Flanges w/
 1/2" NPT
 Female Inlets

2 3/8" [61mm]

Mounting Surface

Product Specifications:

8" Wall Mount Mixing Faucet, Eterna Cartridges, Rigid Gooseneck w/ 1.2 GPM Aerator, 4" Wrist Action Handles & 1/2" NPT Female Inlets

Product Compliance:

ASME A112.18.1 / CSA B125.1
 NSF 61 - Section 9
 NSF 372 (Low Lead Content)
 ANSI A117.1 (ADA)



T&S BRASS AND BRONZE WORKS, INC.
 2 Saddleback Cove / P.O. Box 1088
 Travelers Rest, SC 29690

Model No.
B-0330-01-W4F12

Item No.

Travelers Rest, SC: 800-476-4103 • Simi Valley, CA: 800-423-0150 • Fax: 864-834-3518 • www.tsbrass.com

ITEM NO.	SALES NO.	DESCRIPTION
1	B-0199-02F-12	1.2 GPM Aerator, 3/8" NPSM Male
2	044A	3/8" to Aerator Adapter
3	001043-45	Washer
4	001194-45	Red Index - HW
5	000925-45	Lab Handle Screw
6	B-WH4H	4" Wrist Action Handle, Screw & Hot Index
7	001686-45	Blue Index - CW
8	B-WH4C	4" Wrist Action Handle, Screw & Cold Index
9	B-WH4	4" Wrist Action Handle
10	006010-40	Eterna Cartridge, RTC (Teflon)
11	006009-40	Eterna Cartridge, LTC (Teflon)
12	001019-45	Coupling Nut Washer
13	00AA	1/2" NPT Female Eccentric Flange

Product Specifications:
 8" Wall Mount Mixing Faucet, Eterna Cartridges, Rigid Gooseneck w/ 1.2 GPM Aerator, 4" Wrist Action Handles & 1/2" NPT Female Inlets

Product Compliance:
 ASME A112.18.1 / CSA B125.1
 NSF 61 - Section 9
 NSF 372 (Low Lead Content)
 ANSI A117.1 (ADA)