



T&S BRASS AND BRONZE WORKS, INC.
 2 Saddleback Cove / P.O. Box 1088
 Travelers Rest, SC 29690

Model No.
B-0330-01-WH4

Item No.

Travelers Rest, SC: 800-476-4103 • Simi Valley, CA: 800-423-0150 • Fax: 864-834-3518 • www.tsbrass.com

This Space for Architect/Engineer Approval

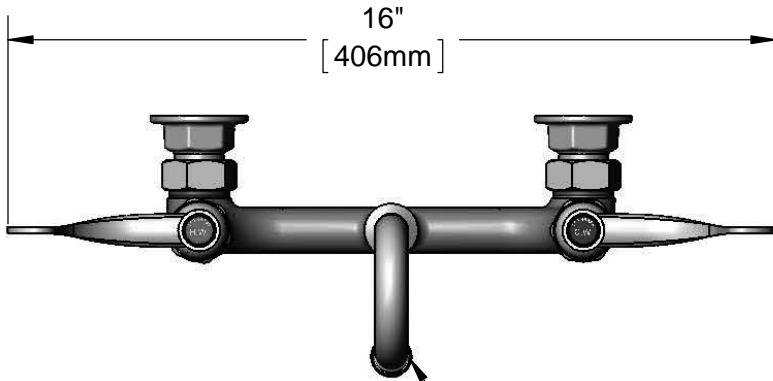
Job Name _____ Date _____

Model Specified _____ Quantity _____

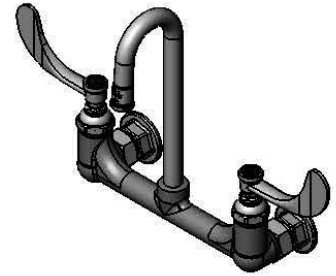
Customer/Wholesaler _____

Contractor _____

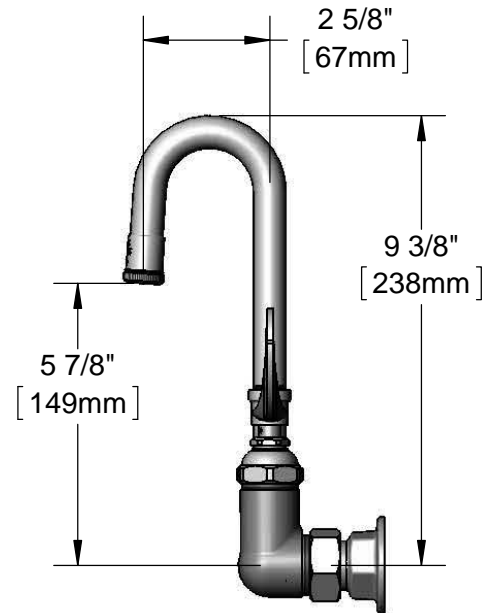
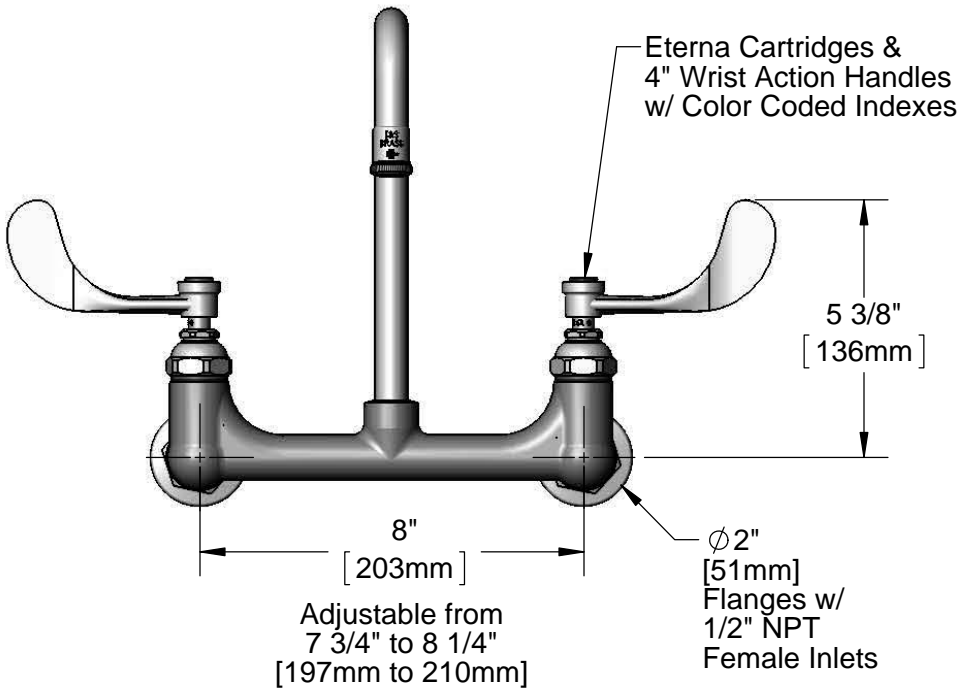
Architect/Engineer _____



ADA Compliant



119X
 Rigid Gooseneck w/
 Stream Regulator Outlet



Product Specifications:
 8" Wall Mount Mixing Faucet, Eterna Cartridges, Rigid Gooseneck,
 Stream Regulator Outlet, 4" Wrist Action Handles & 1/2" NPT Female
 Inlets

Product Compliance:
 ASME A112.18.1 / CSA B125.1
 NSF 61 - Section 9
 NSF 372 (Low Lead Content)
 ANSI A117.1 (ADA)

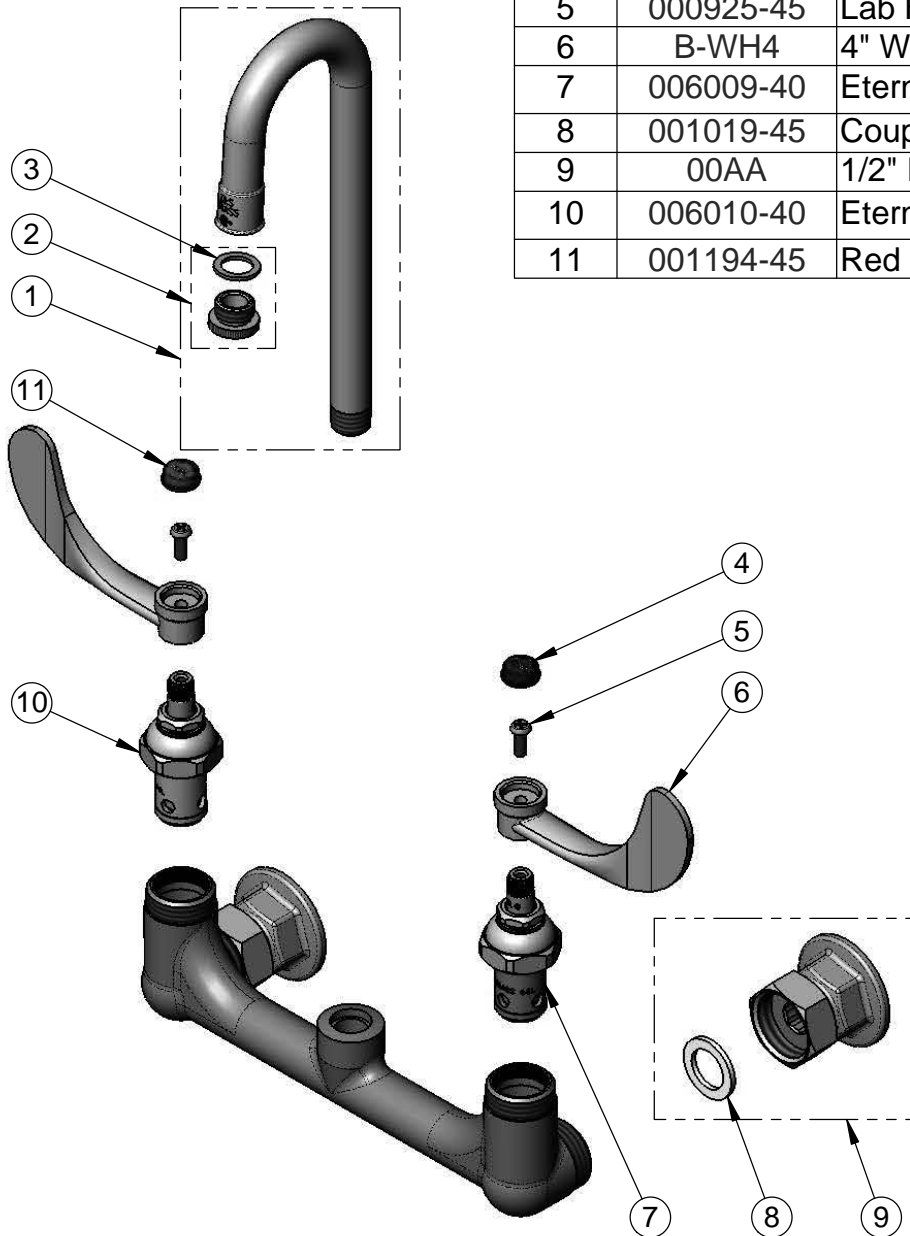


T&S BRASS AND BRONZE WORKS, INC.
 2 Saddleback Cove / P.O. Box 1088
 Travelers Rest, SC 29690

Model No.
B-0330-01-WH4
 Item No.

Travelers Rest, SC: 800-476-4103 • Simi Valley, CA: 800-423-0150 • Fax: 864-834-3518 • www.tsbrass.com

ITEM NO.	SALES NO.	DESCRIPTION
1	119X	Rigid Gooseneck
2	B-LT	Stream Regulator Outlet
3	001043-45	Washer
4	001686-45	Blue Index - CW
5	000925-45	Lab Handle Screw </td
6	B-WH4	4" Wrist Action Handle
7	006009-40	Eterna Cartridge LTC w/ Teflon Seat
8	001019-45	Coupling Nut Washer
9	00AA	1/2" NPT Female Eccentric Flange
10	006010-40	Eterna Cartridge RTC w/ Teflon Seat
11	001194-45	Red Index - HW



Product Specifications:
 8" Wall Mount Mixing Faucet, Eterna Cartridges, Rigid Gooseneck, Stream Regulator Outlet, 4" Wrist Action Handles & 1/2" NPT Female Inlets

Product Compliance:
 ASME A112.18.1 / CSA B125.1
 NSF 61 - Section 9
 NSF 372 (Low Lead Content)
 ANSI A117.1 (ADA)