



T&S BRASS AND BRONZE WORKS, INC.

2 Saddleback Cove / P.O. Box 1088
Travelers Rest, SC 29690

Model No.

B-0330-04

Item No.

Travelers Rest, SC: 800-476-4103 • Simi Valley, CA: 800-423-0150 • Fax: 864-834-3518 • www.tsbrass.com



ADA Compliant

This Space for Architect/Engineer Approval

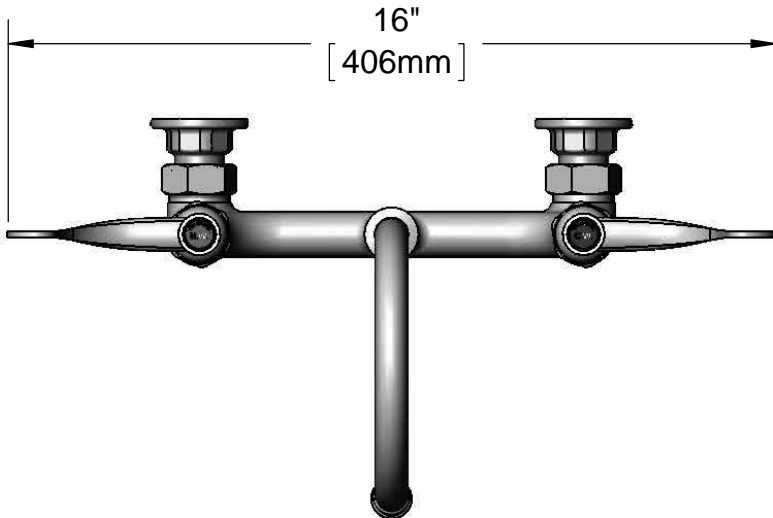
Job Name _____ Date _____

Model Specified _____ Quantity _____

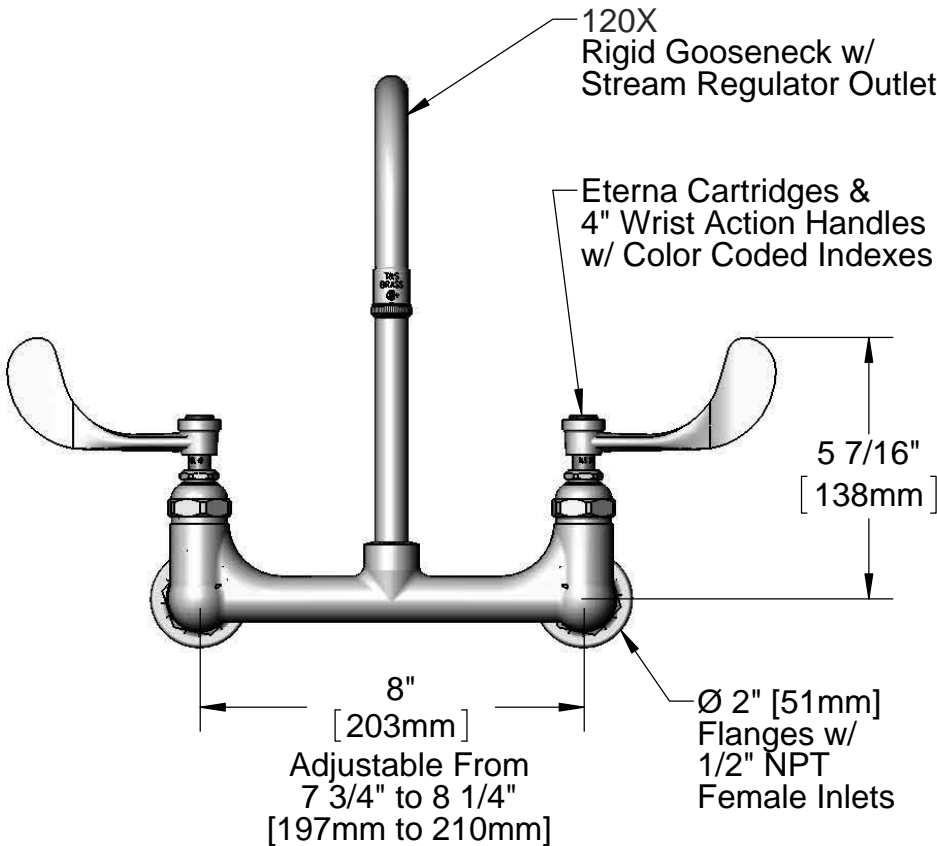
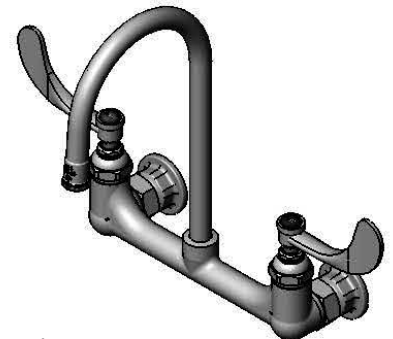
Customer/Wholesaler _____

Contractor _____

Architect/Engineer _____



16"
[406mm]



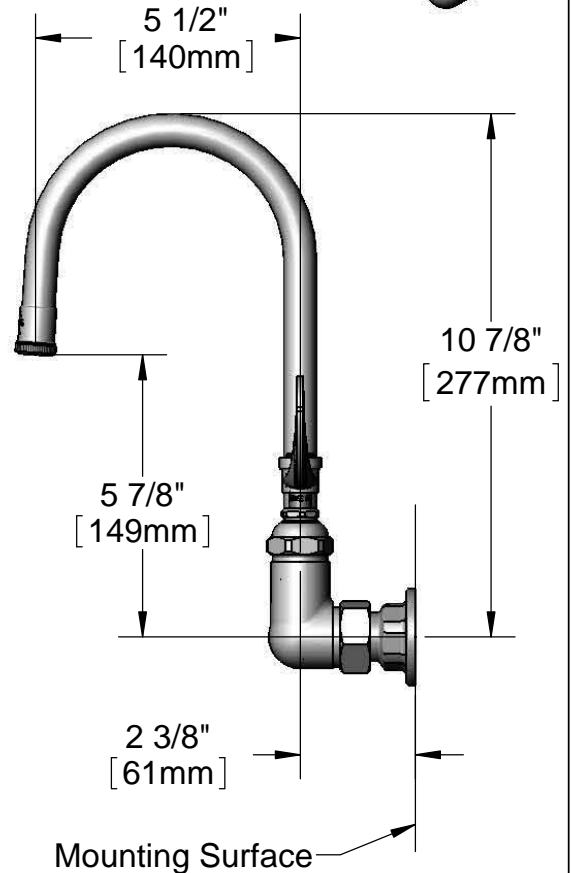
120X Rigid Gooseneck w/
Stream Regulator Outlet

Eterna Cartridges &
4" Wrist Action Handles
w/ Color Coded Indexes

5 7/16"
[138mm]

8"
[203mm]
Adjustable From
7 3/4" to 8 1/4"
[197mm to 210mm]

Ø 2" [51mm]
Flanges w/
1/2" NPT
Female Inlets



5 1/2"
[140mm]

10 7/8"
[277mm]

5 7/8"
[149mm]

2 3/8"
[61mm]

Mounting Surface

Product Specifications:

8" Wall Mount Mixing Faucet, Eterna Cartridges, 4" Wrist Action Handles, 5 1/2" Rigid Gooseneck w/ Stream Regulator Outlet & 1/2" NPT Female Inlets

Product Compliance:

ASME A112.18.1 / CSA B125.1
NSF 61 - Section 9
NSF 372 (Low Lead Content)
ANSI A117.1 (ADA)



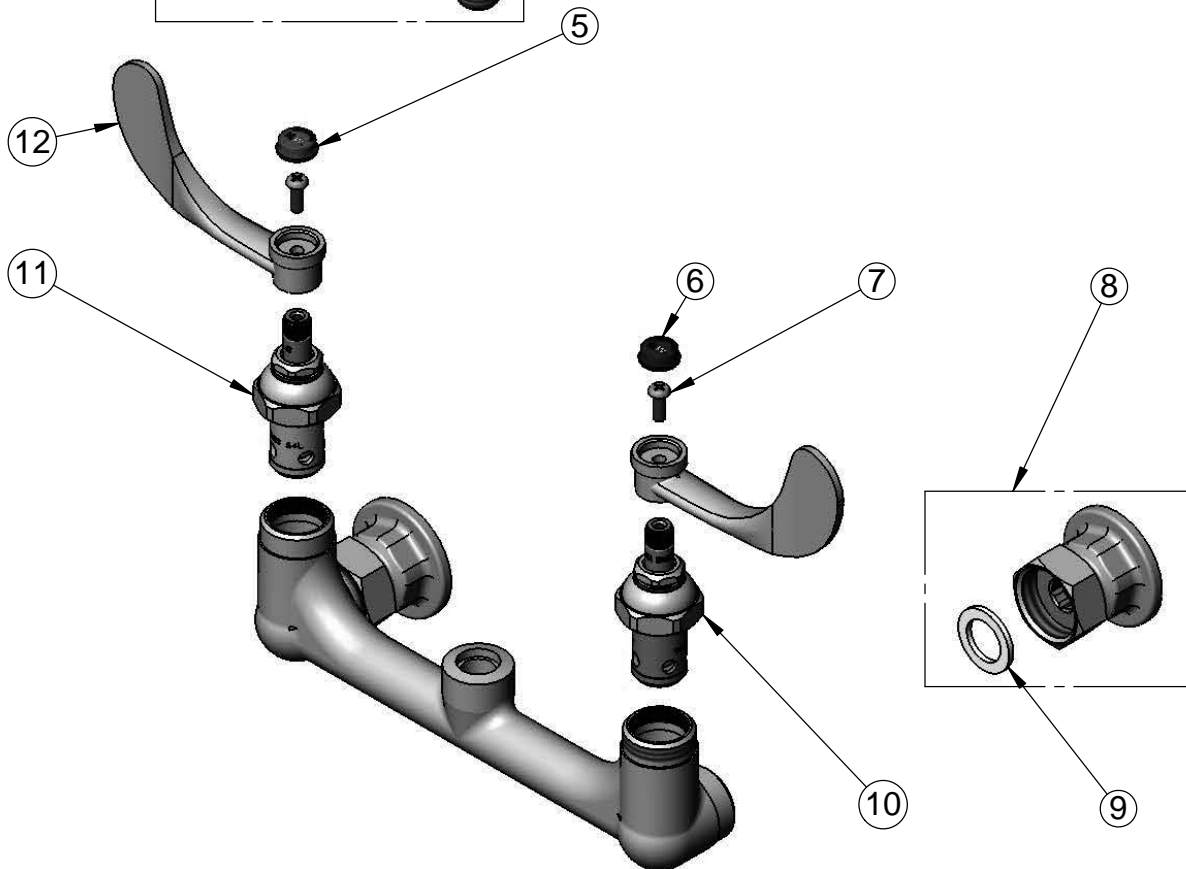
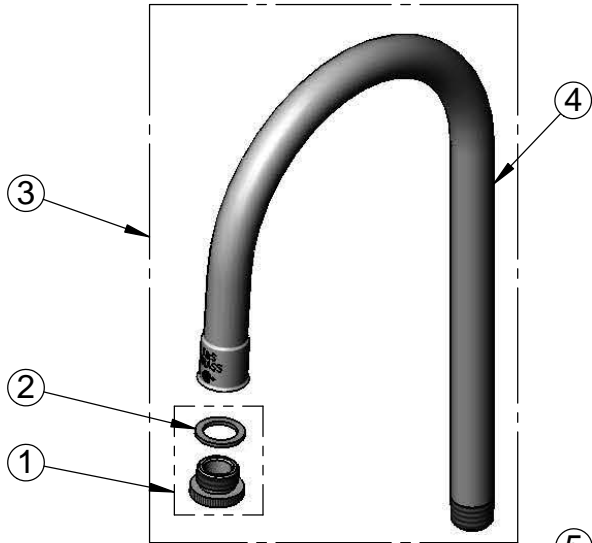
T&S BRASS AND BRONZE WORKS, INC.
 2 Saddleback Cove / P.O. Box 1088
 Travelers Rest, SC 29690

Model No.
B-0330-04

Item No.

Travelers Rest, SC: 800-476-4103 • Simi Valley, CA: 800-423-0150 • Fax: 864-834-3518 • www.tsbrass.com

ITEM NO.	SALES NO.	DESCRIPTION
1	B-LT	Stream Regulator Outlet
2	001043-45	Washer
3	120X	Rigid Gooseneck
4	000398-40	Rigid Gooseneck, 3/8" NPSM Male Inlet
5	001194-45	Red HW Index
6	001686-45	Blue CW Index
7	000925-45	Lab Handle Screw </td
8	00AA	1/2" NPT Female Eccentric Flange
9	001019-45	Coupling Nut Washer
10	006009-40	Eterna Cartridge, LTC (Teflon)
11	006010-40	Eterna Cartridge, RTC (Teflon)
12	B-WH4	4" Wrist Action Handle



Product Specifications:

8" Wall Mount Mixing Faucet, Eterna Cartridges, 4" Wrist Action Handles, 5 1/2" Rigid Gooseneck w/ Stream Regulator Outlet & 1/2" NPT Female Inlets

Product Compliance:

ASME A112.18.1 / CSA B125.1
 NSF 61 - Section 9
 NSF 372 (Low Lead Content)
 ANSI A117.1 (ADA)