

T&S BRASS AND BRONZE WORKS, INC.

2 Saddleback Cove / P.O. Box 1088
Travelers Rest, SC 29690

Model No.

B-0330

Item No.

Travelers Rest, SC: 800-476-4103 • Simi Valley, CA: 800-423-0150 • Fax: 864-834-3518 • www.tsbrass.com



ADA Compliant

This Space for Architect/Engineer Approval

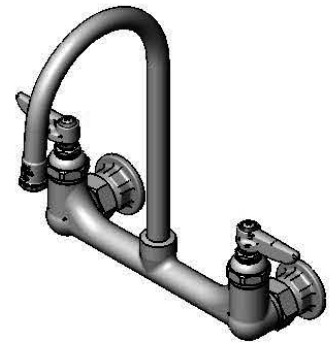
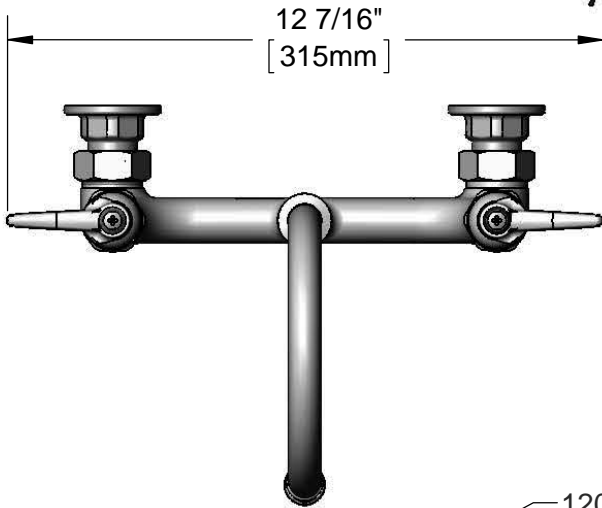
Job Name _____ Date _____

Model Specified _____ Quantity _____

Customer/Wholesaler _____

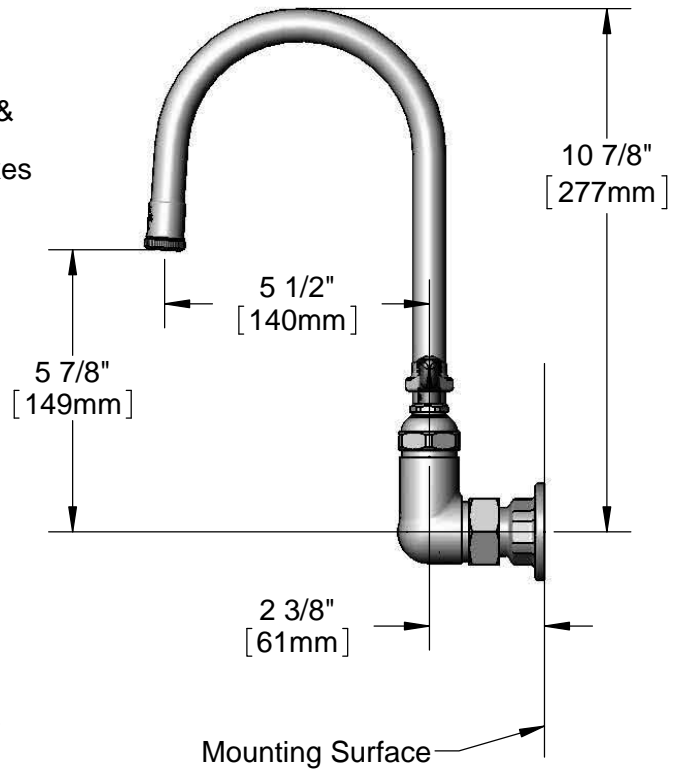
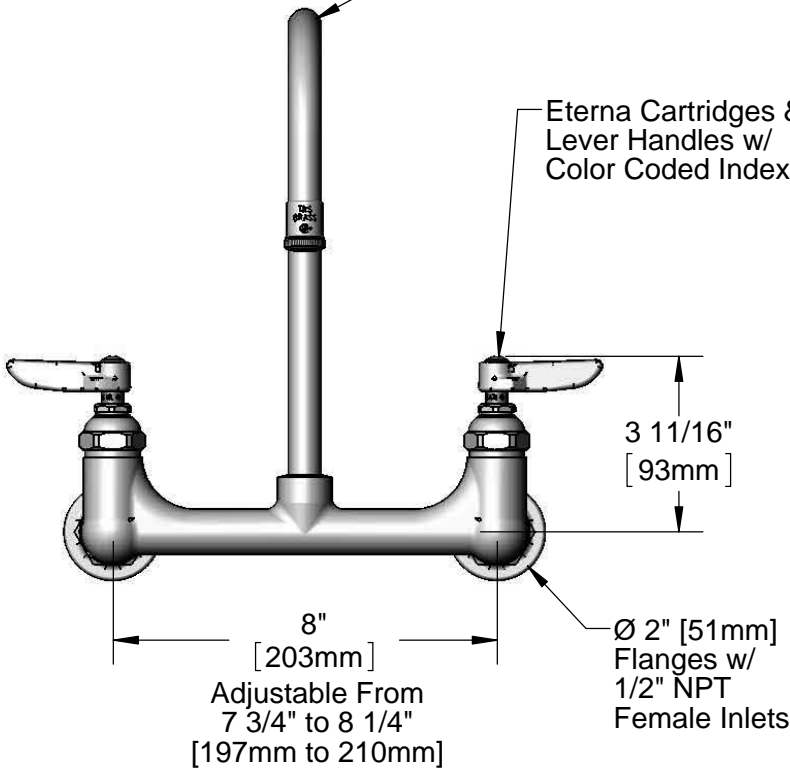
Contractor _____

Architect/Engineer _____



120X
Rigid Gooseneck w/
Stream Regulator Outlet

Eterna Cartridges &
Lever Handles w/
Color Coded Indexes



Product Specifications:

8" Wall Mount Mixing Faucet, Eterna Cartridges, Lever Handles, 5 1/2" Rigid Gooseneck w/ Stream Regulator Outlet & 1/2" NPT Female Inlets

Product Compliance:

ASME A112.18.1 / CSA B125.1
NSF 61 - Section 9
NSF 372 (Low Lead Content)
ANSI A117.1 (ADA)



T&S BRASS AND BRONZE WORKS, INC.

2 Saddleback Cove / P.O. Box 1088
Travelers Rest, SC 29690

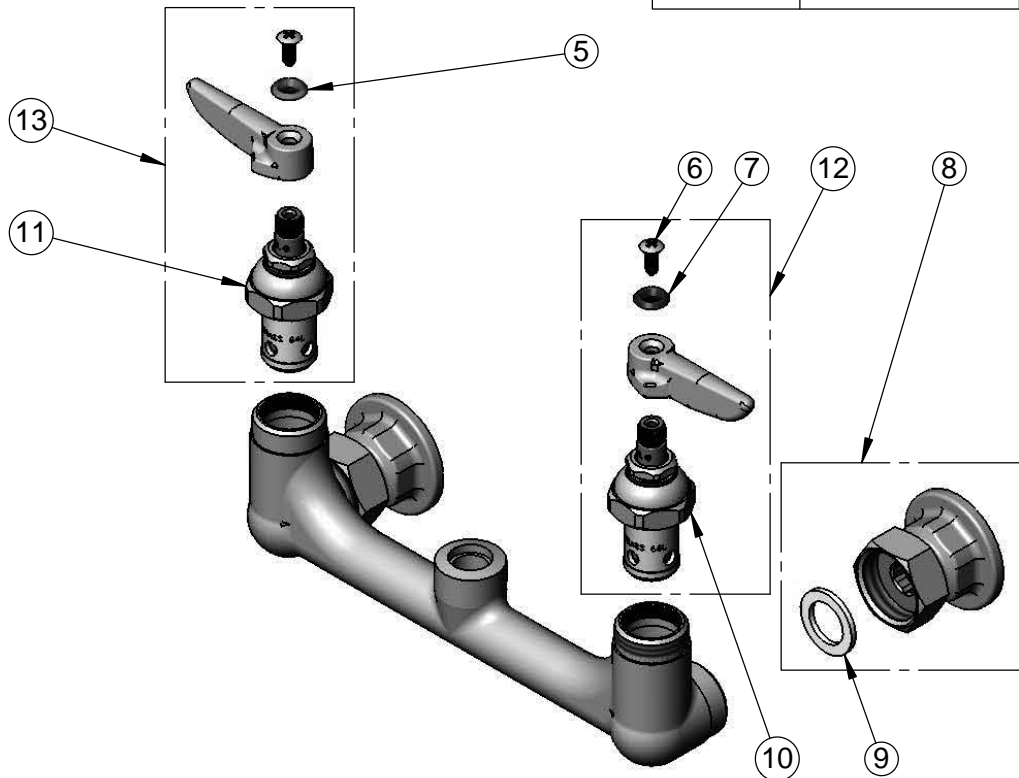
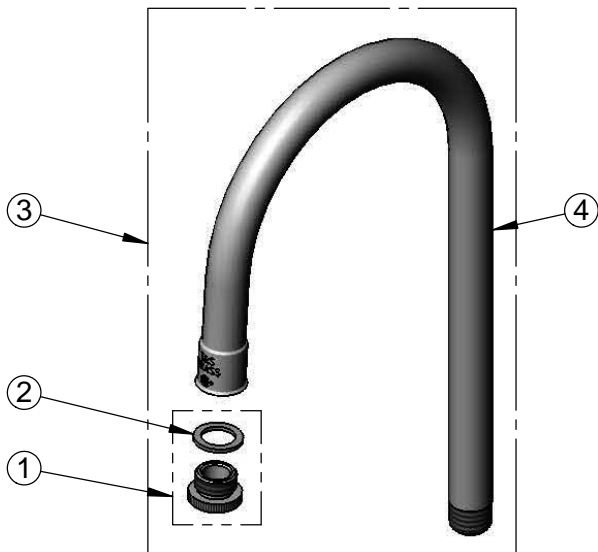
Model No.

B-0330

Item No.

Travelers Rest, SC: 800-476-4103 • Simi Valley, CA: 800-423-0150 • Fax: 864-834-3518 • www.tsbrass.com

ITEM NO.	SALES NO.	DESCRIPTION
1	B-LT	Stream Regulator Outlet
2	001043-45	Washer
3	120X	Rigid Gooseneck
4	000398-45	Rigid Gooseneck, 3/8" NPSM Male Inlet
5	001661-45	Red Index-HW
6	000922-45	Lever Handle Screw
7	001660-45	Blue Index-CW
8	00AA	1/2" NPT Female Eccentric Flange
9	001019-45	Coupling Nut Washer
10	005959-40	Eterna Cartridge - LTC
11	005960-40	Eterna Cartridge - RTC
12	002713-40	Eterna Cartridge, LTC w/ Handle, Index & Screw
13	002714-40	Eterna Cartridge, RTC w/ Handle, Index & Screw



Product Specifications:
8" Wall Mount Mixing Faucet, Eterna Cartridges, Lever Handles,
5 1/2" Rigid Goosneck w/ Stream Regulator Outlet & 1/2" NPT
Female Inlets

Product Compliance:
ASME A112.18.1 / CSA B125.1
NSF 61 - Section 9
NSF 372 (Low Lead Content)
ANSI A117.1 (ADA)