



T&S BRASS AND BRONZE WORKS, INC.
 2 Saddleback Cove / P.O. Box 1088
 Travelers Rest, SC 29690

Model No.

B-0331-CR

Item No.

Travelers Rest, SC: 800-476-4103 • Simi Valley, CA: 800-423-0150 • Fax: 864-834-3518 • www.tsbrass.com



ADA Compliant

This Space for Architect/Engineer Approval

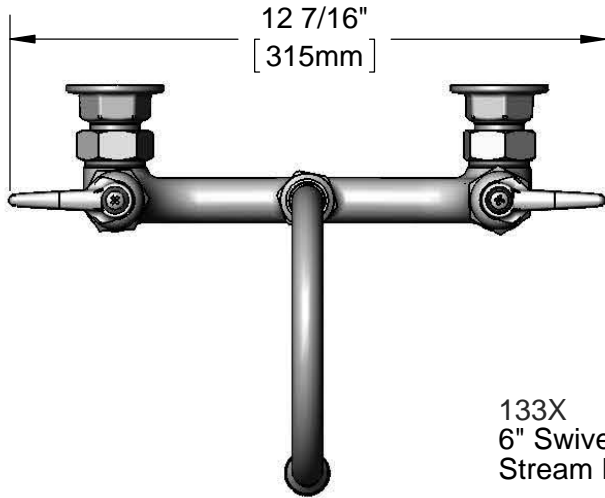
Job Name _____ Date _____

Model Specified _____ Quantity _____

Customer/Wholesaler _____

Contractor _____

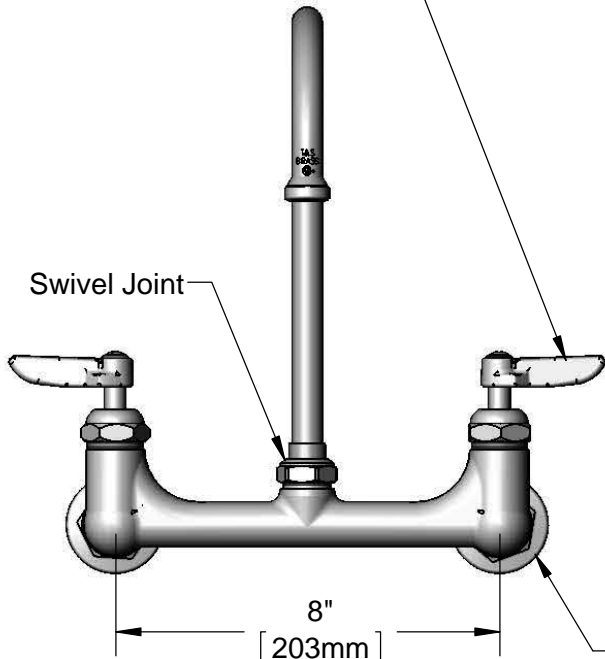
Architect/Engineer _____



133X
6" Swivel Gooseneck w/
Stream Regulator Outlet

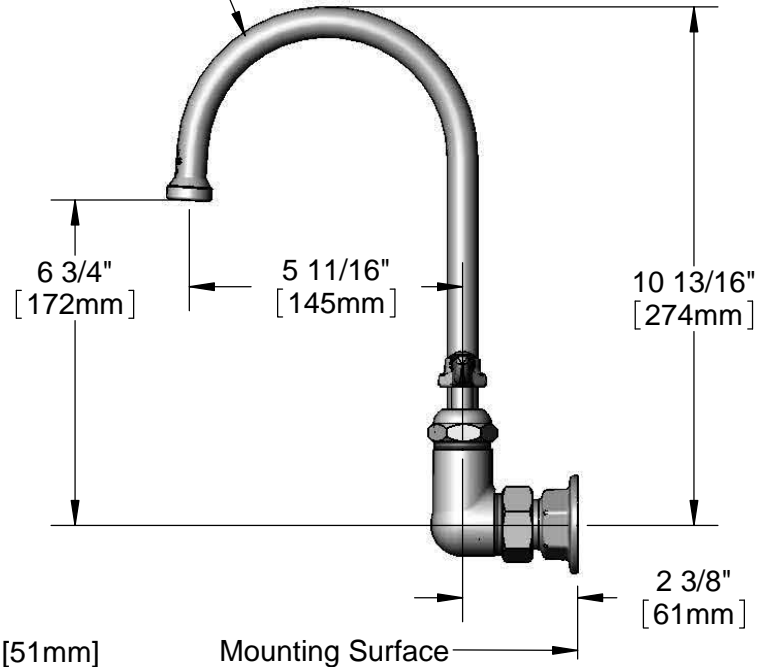


Quarter-Turn Cerama
Cartridges & Lever Handles
w/ Color Coded Indexes



Adjustable From
7 3/4" to 8 1/4"
[197mm to 210mm]

Ø 2" [51mm]
Flanges w/
1/2" NPT
Female Inlets



Product Specifications:

8" Wall Mount Mixing Faucet, Quarter-Turn Cerama Cartridges, Lever Handles, 6" Swivel Gooseneck & 1/2" NPT Female Inlets

Product Compliance:

ASME A112.18.1 / CSA B125.1
 NSF 61 - Section 9
 NSF 372 (Low Lead Content)
 ANSI A117.1 (ADA)



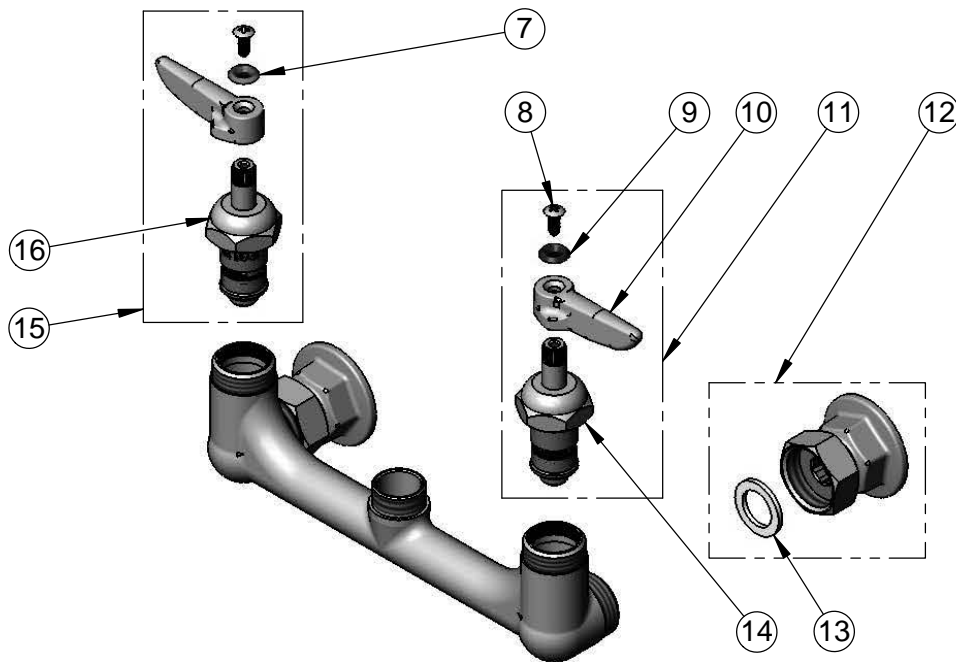
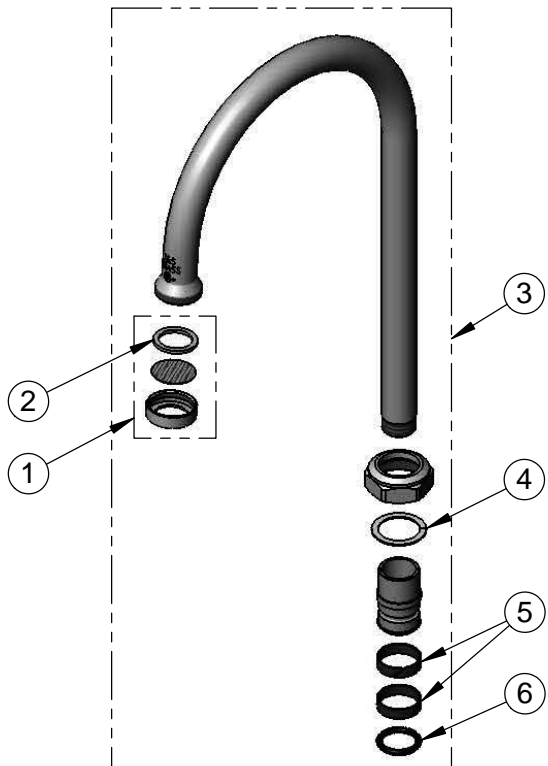
T&S BRASS AND BRONZE WORKS, INC.
 2 Saddleback Cove / P.O. Box 1088
 Travelers Rest, SC 29690

Model No.
B-0331-CR

Item No.

Travelers Rest, SC: 800-476-4103 • Simi Valley, CA: 800-423-0150 • Fax: 864-834-3518 • www.tsbrass.com

| ITEM NO. | SALES NO. | DESCRIPTION |
|----------|-----------|---|
| 1 | B-PT | Stream Regulator Outlet |
| 2 | 001048-45 | Nozzle Tip Washer |
| 3 | 133X | 6" Swivel Gooseneck |
| 4 | 009538-45 | Swivel Washer |
| 5 | 011429-45 | Swivel Sleeves (2) |
| 6 | 001074-45 | O-Ring |
| 7 | 001661-45 | Red Index-HW |
| 8 | 000922-45 | Lever Handle Screw |
| 9 | 001660-45 | Blue Index-CW |
| 10 | 001638-45 | Lever Handle |
| 11 | 012445-25 | Quarter-Turn Cerama Cartridge, LTC w/ Handle, Index & Screw |
| 12 | 00AA | 1/2" NPT Female Eccentric Flange |
| 13 | 001019-45 | Coupling Nut Washer |
| 14 | 011279-25 | Quarter-Turn Cerama Cartridge, LTC |
| 15 | 012444-25 | Quarter-Turn Cerama Cartridge, RTC w/ Handle, Index & Screw |
| 16 | 011278-25 | Quarter-Turn Cerama Cartridge, RTC |



Product Specifications:

8" Wall Mount Mixing Faucet, Quarter-Turn Cerama Cartridges, Lever Handles, 6" Swivel Gooseneck & 1/2" NPT Female Inlets

Product Compliance:

ASME A112.18.1 / CSA B125.1
 NSF 61 - Section 9
 NSF 372 (Low Lead Content)
 ANSI A117.1 (ADA)