



T&S BRASS AND BRONZE WORKS, INC.

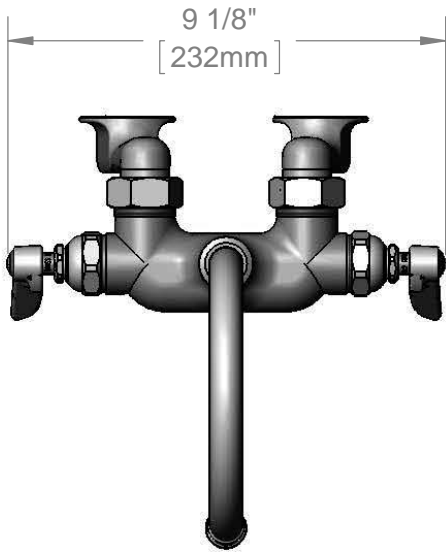
2 Saddleback Cove / P.O. Box 1088
Travelers Rest, SC 29690

Model No.

B-0340

Item No.

Travelers Rest, SC: 800-476-4103 • Simi Valley, CA: 800-423-0150 • Fax: 864-834-3518 • www.tsbrass.com



ADA Compliant

This Space for Architect/Engineer Approval

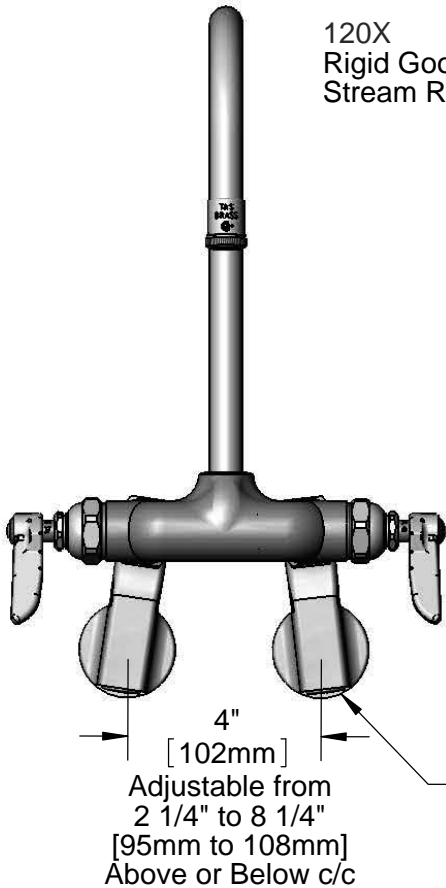
Job Name _____ Date _____

Model Specified _____ Quantity _____

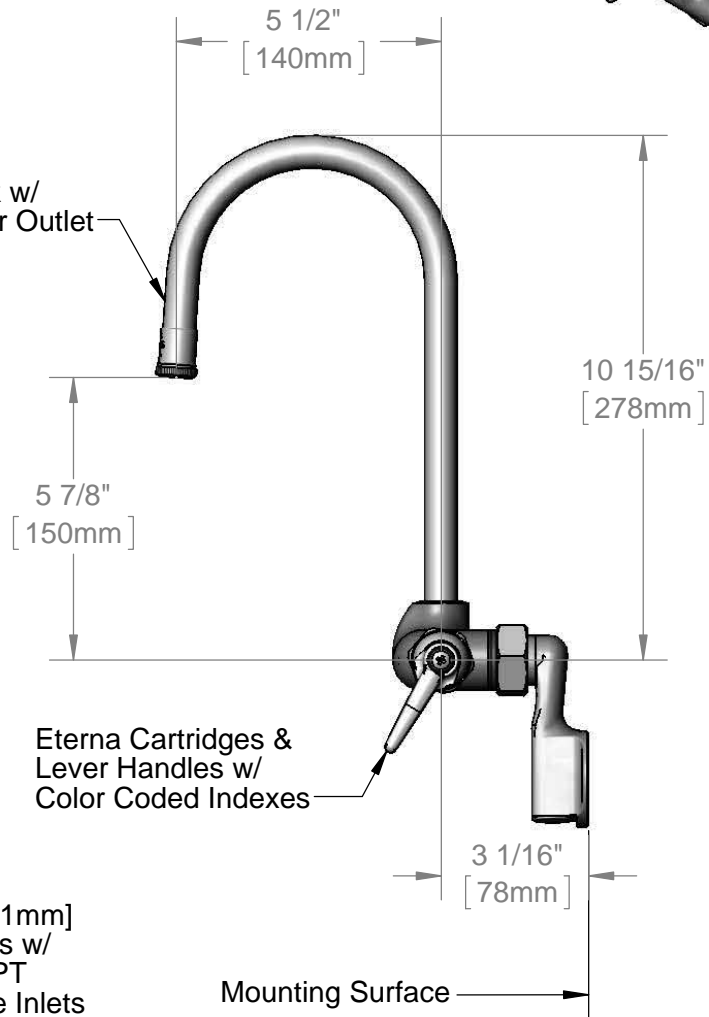
Customer/Wholesaler _____

Contractor _____

Architect/Engineer _____



120X Rigid Gooseneck w/
Stream Regulator Outlet



Eterna Cartridges &
Lever Handles w/
Color Coded Indexes

Mounting Surface

Product Specifications:

Wall Mount Combination Sink Mixing Faucet w/ Eterna Cartridges, Lever Handles, Rigid Gooseneck w/ Stream Regulator Outlet, & 1/2" NPT Adjustable Inlet

Drawn

DHL

Checked

KJG

Approved

JHB

Scale:

1:4

Date:

11/04/13



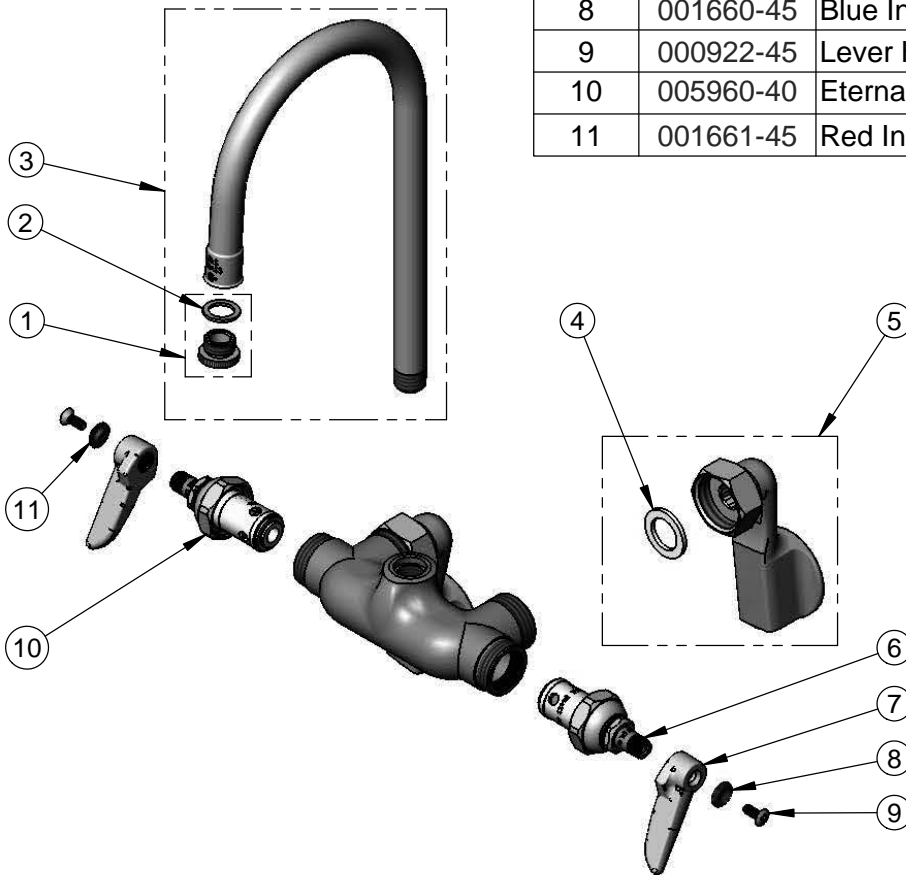
T&S BRASS AND BRONZE WORKS, INC.
 2 Saddleback Cove / P.O. Box 1088
 Travelers Rest, SC 29690

Model No.
B-0340

Item No.

Travelers Rest, SC: 800-476-4103 • Simi Valley, CA: 800-423-0150 • Fax: 864-834-3518 • www.tsbrass.com

ITEM NO.	SALES NO.	DESCRIPTION
1	B-LT	Stream Regulator Outlet
2	001043-45	Washer
3	120X	Rigid Gooseneck w/ B-LT Stream Regulator
4	001019-45	Coupling Nut Washer
5	00GG	1/2" NPT Female Adjustable Arm Inlet Flange
6	005959-40	Eterna Cartridge, LTC
7	001638-45	Lever Handle
8	001660-45	Blue Index-CW
9	000922-45	Lever Handle Screw
10	005960-40	Eterna Cartridge, RTC
11	001661-45	Red Index-HW



Product Specifications:
 Wall Mount Combination Sink Mixing Faucet w/ Eterna Cartridges,
 Lever Handles, Rigid Gooseneck w/ Stream Regulator Outlet,
 & 1/2" NPT Adjustable Inlet

Drawn DHL	Checked KJG	Approved JHB
Scale: NTS		Date: 11/04/13