



T&S BRASS AND BRONZE WORKS, INC.

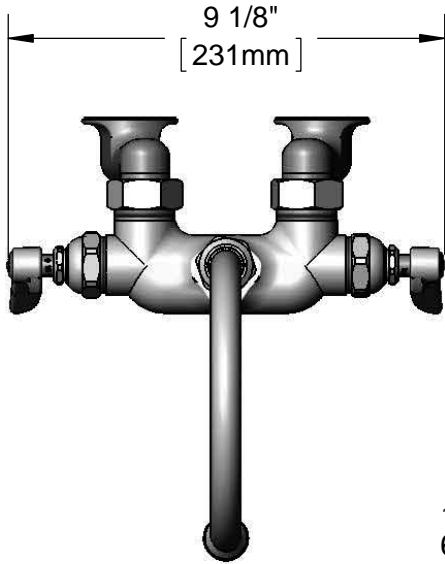
2 Saddleback Cove / P.O. Box 1088
Travelers Rest, SC 29690

Model No.

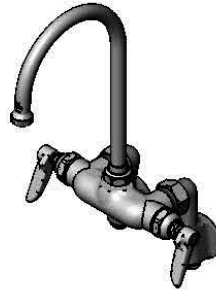
B-0343

Item No.

Travelers Rest, SC: 800-476-4103 • Simi Valley, CA: 800-423-0150 • Fax: 864-834-3518 • www.tsbrass.com



ADA Compliant



This Space for Architect/Engineer Approval

Job Name _____ Date _____

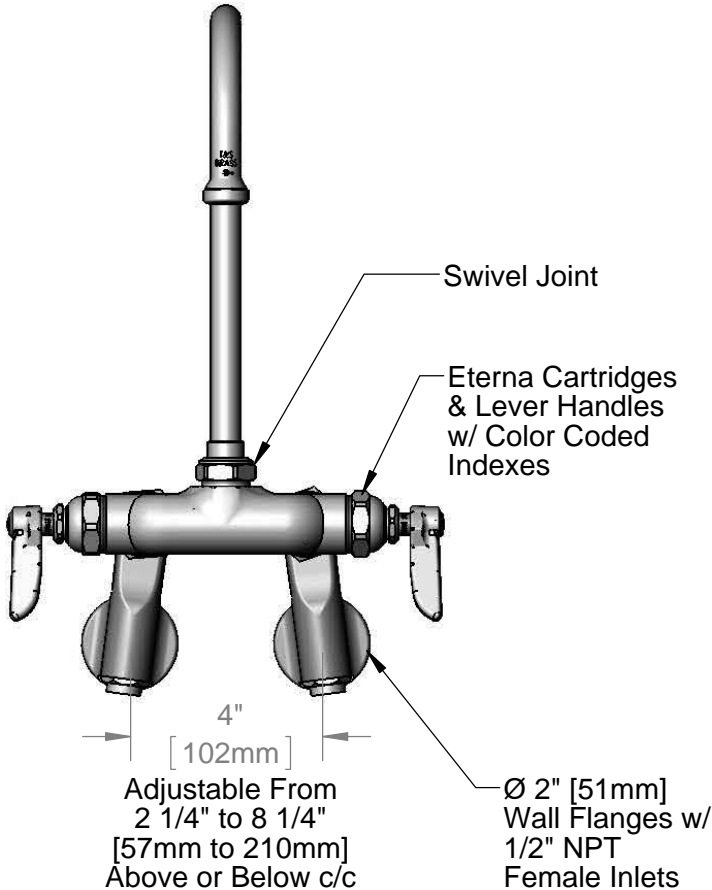
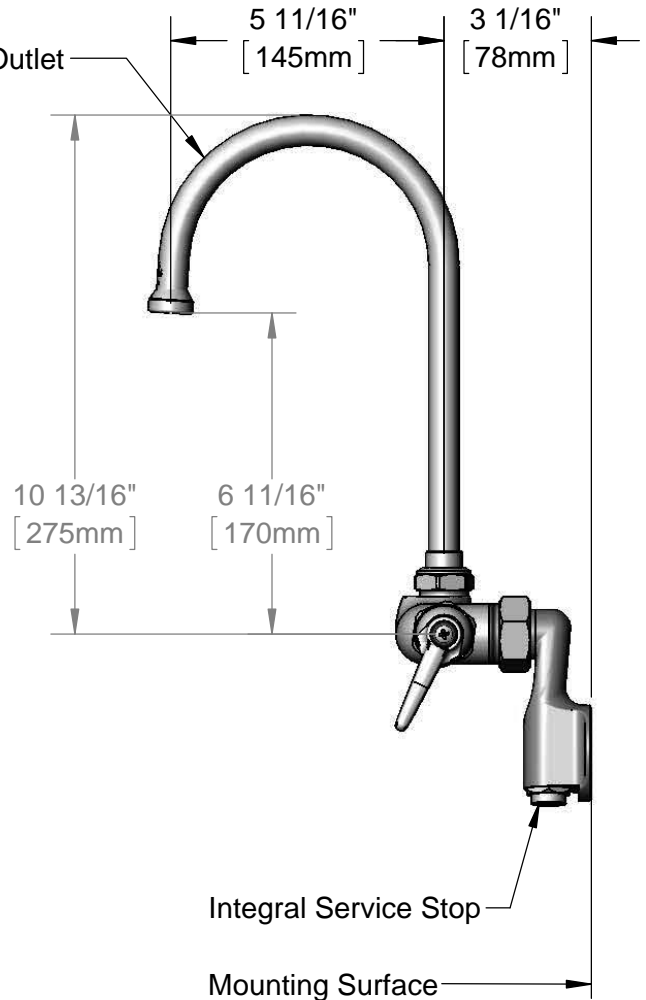
Model Specified _____ Quantity _____

Customer/Wholesaler _____

Contractor _____

Architect/Engineer _____

133X
6" Swivel Gooseneck
w/ Stream Regulator Outlet



Product Specifications:
Wall Mount Mixing Faucet, Eterna Cartridges, Lever Handles,
12" Swivel Gooseneck & 1/2" NPT Female Inlet Adjustable
Wall Flanges w/ Integral Service Stops

Drawn DHL	Checked DMH	Approved JHB
Scale: 1:4		Date: 02/04/14



T&S BRASS AND BRONZE WORKS, INC.

2 Saddleback Cove / P.O. Box 1088
Travelers Rest, SC 29690

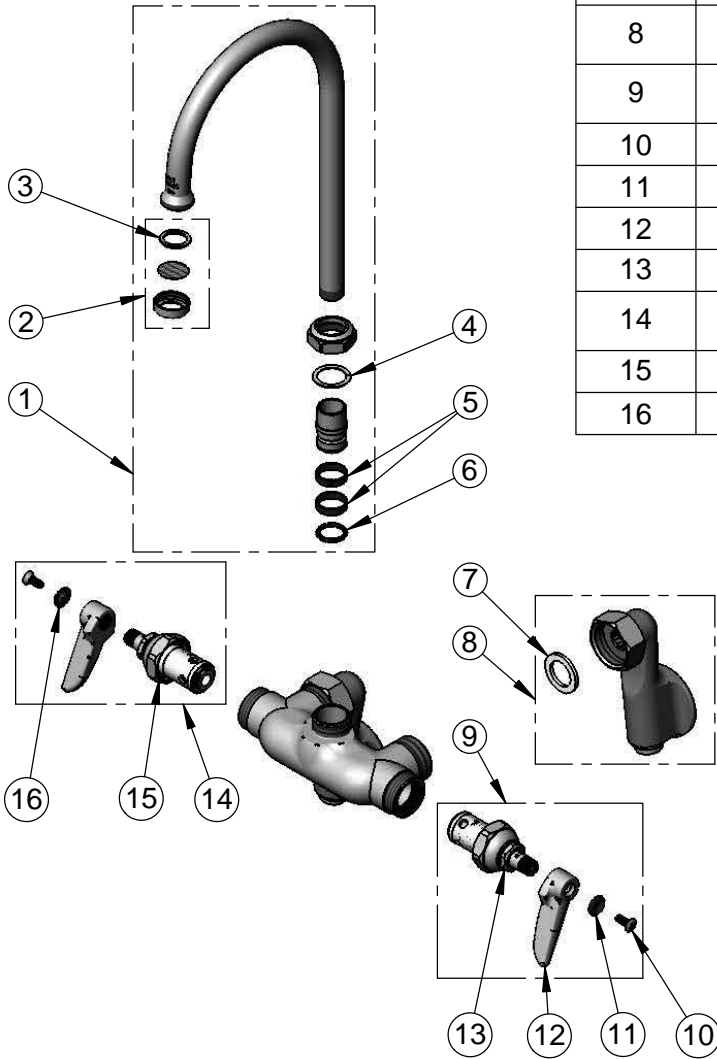
Model No.

B-0343

Item No.

Travelers Rest, SC: 800-476-4103 • Simi Valley, CA: 800-423-0150 • Fax: 864-834-3518 • www.tsbrass.com

ITEM NO.	SALES NO.	DESCRIPTION
1	133X	6" Swivel Gooseneck
2	B-PT	Stream Regulator Outlet
3	001048-45	Nozzle Tip Washer
4	009538-45	Swivel Washer
5	011429-45	Swivel Sleeves (2)
6	001074-45	O-Ring
7	001019-45	Coupling Nut Washer
8	00XX	1/2" NPT Female Inlet Adjustable Wall Flange w/ Screwdriver Stop
9	002713-40	Eterna Cartridge, LTC w/ Handle, Index & Screw
10	000922-45	Lever Handle Screw
11	001660-45	Blue Index-CW
12	001638-45	Lever Handle
13	005959-40	Eterna Cartridge, LTC
14	002714-40	Eterna Cartridge, RTC w/ Handle, Index & Screw
15	005960-40	Eterna Cartridge, RTC
16	001661-45	Red Index-HW



Product Specifications:

Wall Mount Mixing Faucet, Eterna Cartridges, Lever Handles, 12" Swivel Gooseneck & 1/2" NPT Female Inlet Adjustable Wall Flanges w/ Integral Service Stops

Drawn

DHL

Checked

DMH

Approved

JHB

Scale:

NTS

Date:

02/04/14