



T&S BRASS AND BRONZE WORKS, INC.
 2 Saddleback Cove / P.O. Box 1088
 Travelers Rest, SC 29690

Model No.
B-0355-04

Item No.

Travelers Rest, SC: 800-476-4103 • Simi Valley, CA: 800-423-0150 • Fax: 864-834-3518 • www.tsbrass.com



ADA Compliant

This Space for Architect/Engineer Approval

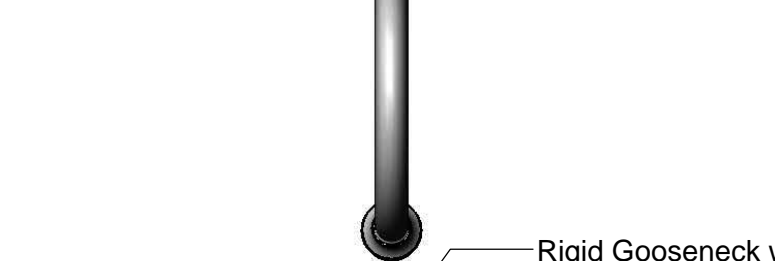
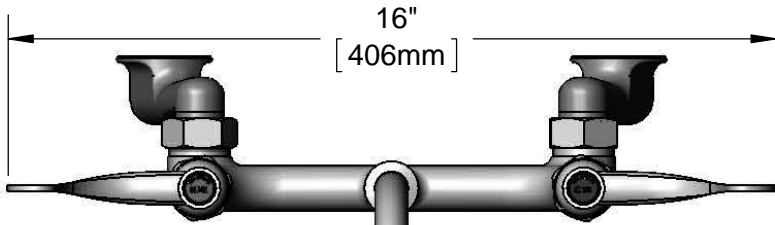
Job Name _____ Date _____

Model Specified _____ Quantity _____

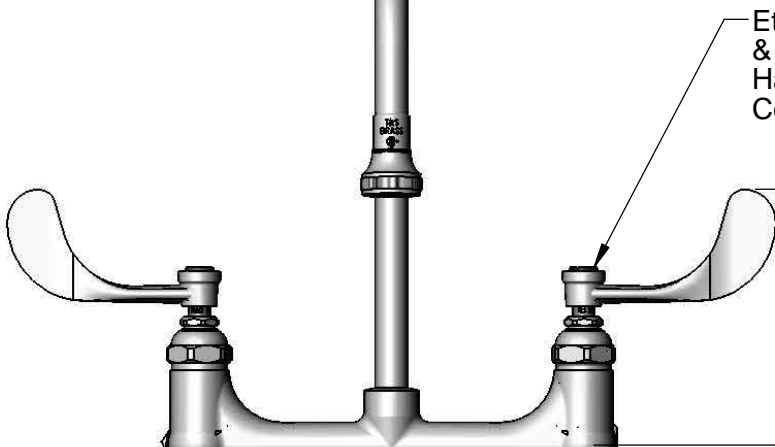
Customer/Wholesaler _____

Contractor _____

Architect/Engineer _____



Rigid Gooseneck w/
 B-0103
 Rosespray Outlet



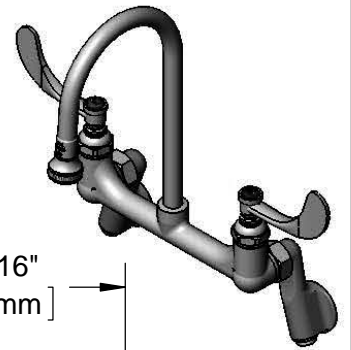
Eterna Cartridges
 & 4" Wrist Action
 Handles w/ Color
 Coded Indexes

5 5/16"
 [135mm]

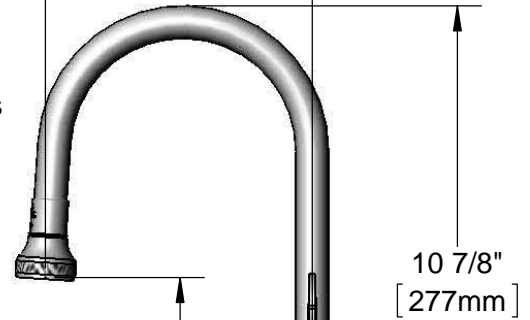
Ø 2" [51mm]
 Flanges w/
 1/2" NPT
 Female Inlets

Inlets Adjustable
 from 3 1/4" [83mm]
 to 12 3/4" [324mm]
 Below or Above
 Centerline

Built-in
 Service Stop



5 9/16"
 [141mm]



10 7/8"
 [277mm]

5 1/4"
 [133mm]

2 3/4"
 [70mm]

Mounting Surface

Product Specifications:

8" Wall Mount Mixing Faucet, Eterna Cartridges, 4" Wrist Action Handles, 5 1/2" Rigid Gooseneck w/ Rosespray Outlet & 1/2" NPT Adjustable Arm Female Inlets

Product Compliance:

ASME A112.18.1 / CSA B125.1
 NSF 61 - Section 9
 NSF 372 (Low Lead Content)
 ANSI A117.1 (ADA)



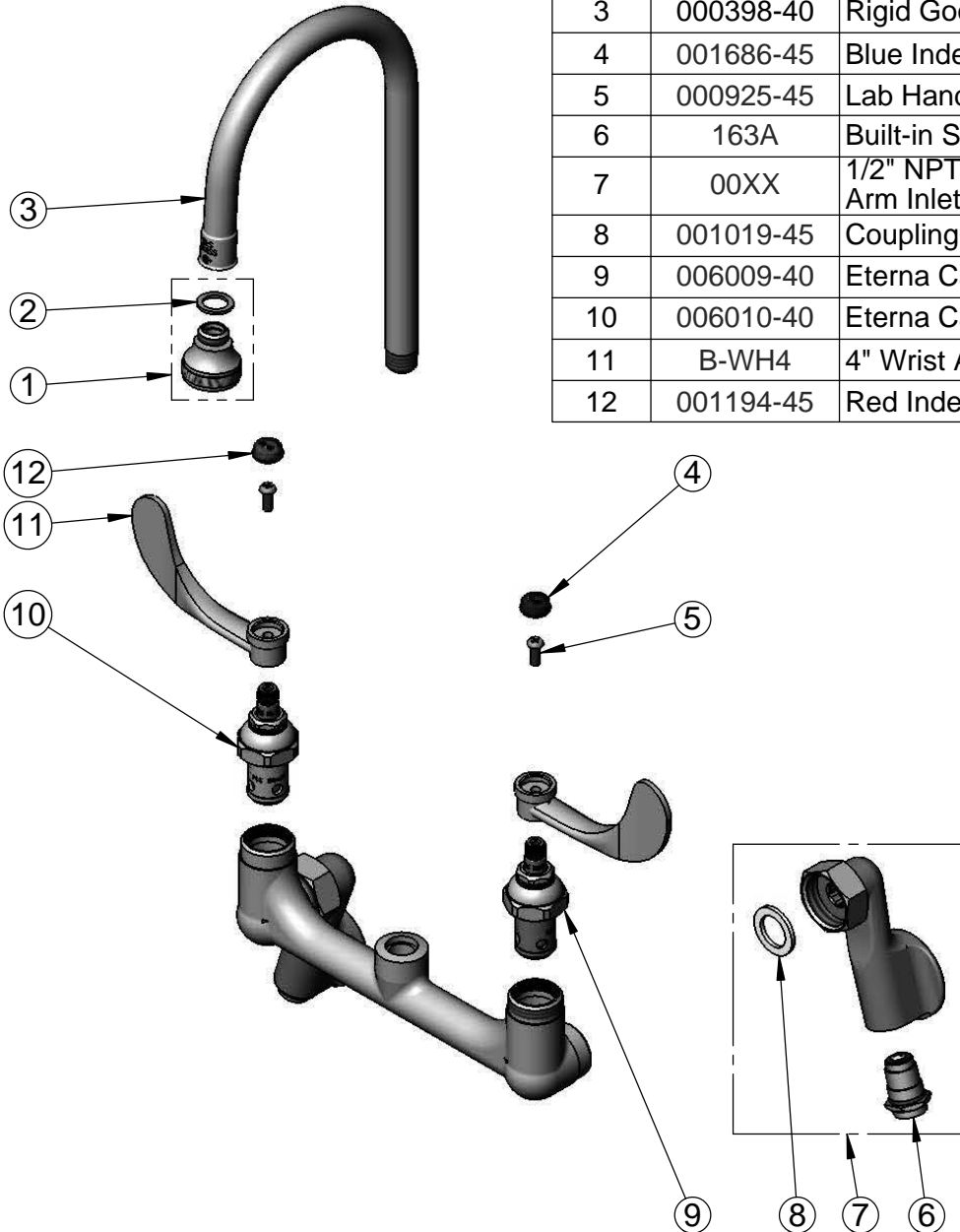
T&S BRASS AND BRONZE WORKS, INC.
 2 Saddleback Cove / P.O. Box 1088
 Travelers Rest, SC 29690

Model No.
B-0355-04

Item No.

Travelers Rest, SC: 800-476-4103 • Simi Valley, CA: 800-423-0150 • Fax: 864-834-3518 • www.tsbrass.com

ITEM NO.	SALES NO.	DESCRIPTION
1	B-0103	Rosespray Outlet, 3/8" NPSM Male
2	001043-45	Washer
3	000398-40	Rigid Gooseneck
4	001686-45	Blue Index - CW
5	000925-45	Lab Handle Screw
6	163A	Built-in Service Stop
7	00XX	1/2" NPT Female Adjustment Arm Inlet w/ Screwdriver Stop
8	001019-45	Coupling Nut Washer
9	006009-40	Eterna Cartridge, LTC (Teflon)
10	006010-40	Eterna Cartridge, RTC (Teflon)
11	B-WH4	4" Wrist Action Handle
12	001194-45	Red Index - HW



Product Specifications:

8" Wall Mount Mixing Faucet, Eterna Cartridges, 4" Wrist Action Handles, 5 1/2" Rigid Goosneck w/ Rosespray Outlet & 1/2" NPT Adjustable Arm Female Inlets

Product Compliance:

ASME A112.18.1 / CSA B125.1
 NSF 61 - Section 9
 NSF 372 (Low Lead Content)
 ANSI A117.1 (ADA)