



T&S BRASS AND BRONZE WORKS, INC.

2 Saddleback Cove / P.O. Box 1088
Travelers Rest, SC 29690



REG. #A2601
ISO #9001

Model No.
B-0362

Item No.

Travelers Rest, SC: 800-476-4103 Simi Valley, CA: 800-423-0150 Fax: 864-834-3518 www.tsbrass.com

This Space for Architect/Engineer Approval

Job Name _____ Date _____

Model Specified _____ Quantity _____

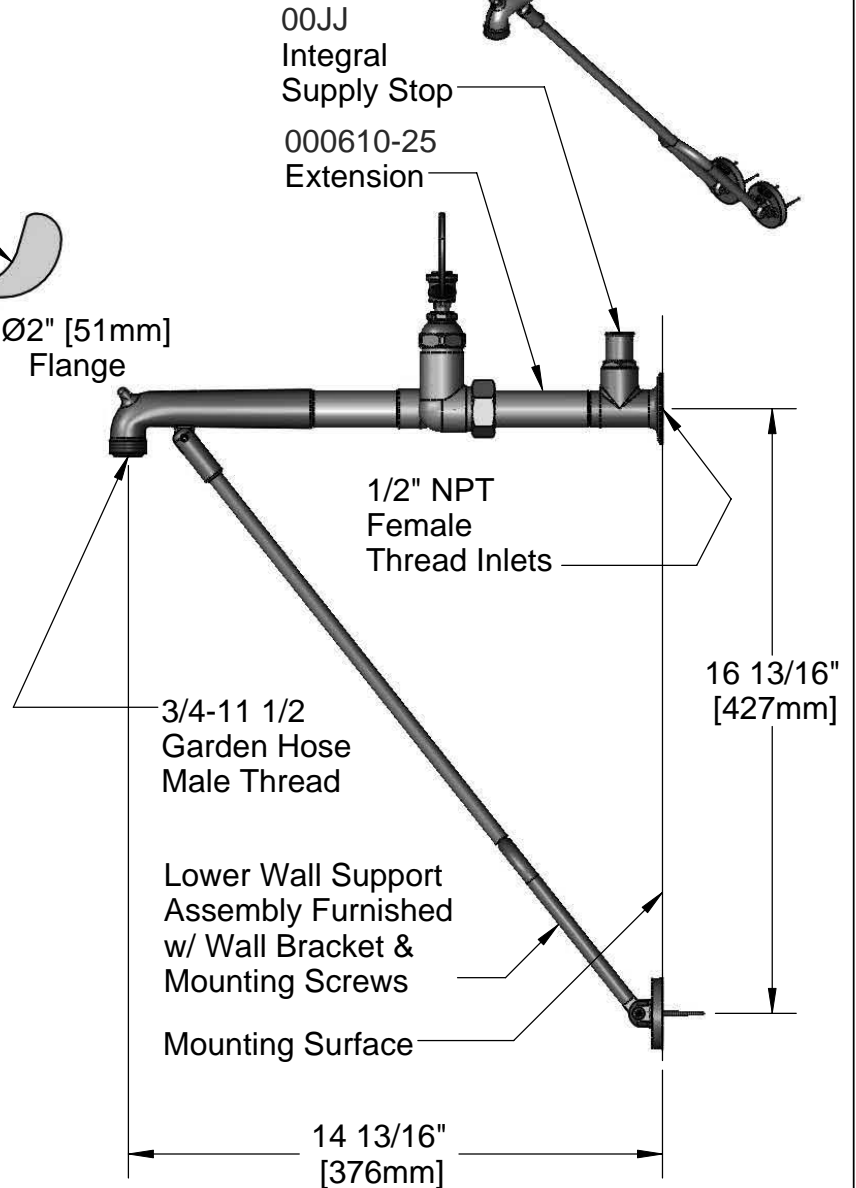
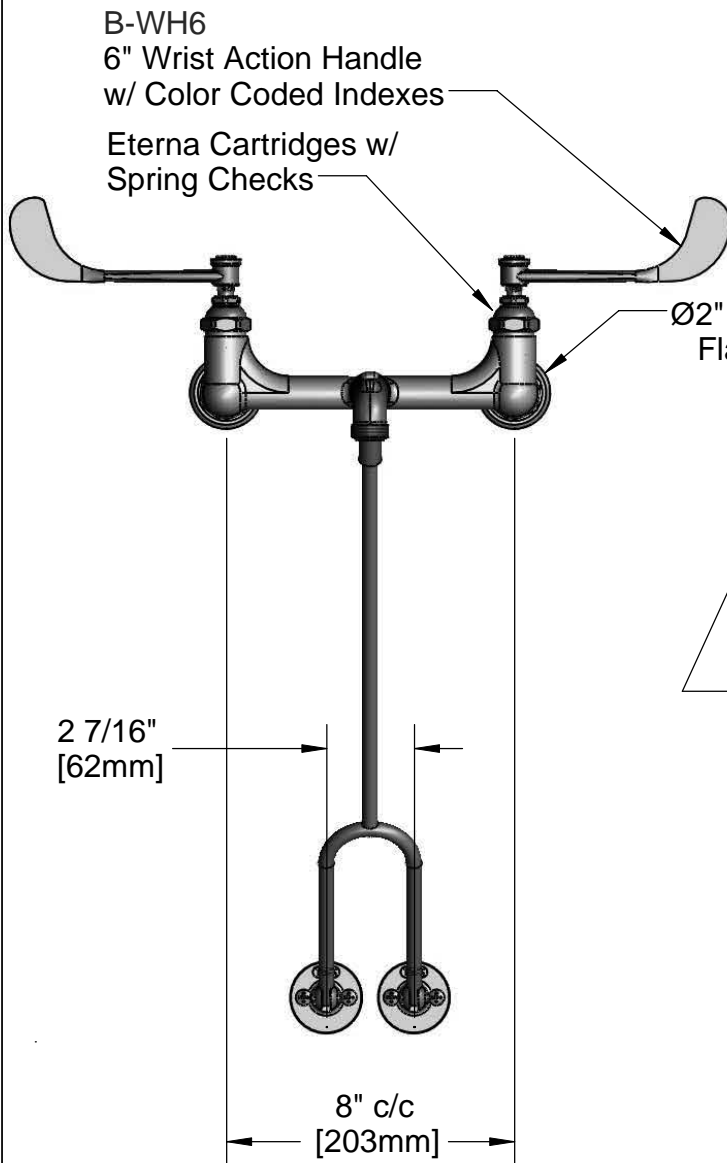
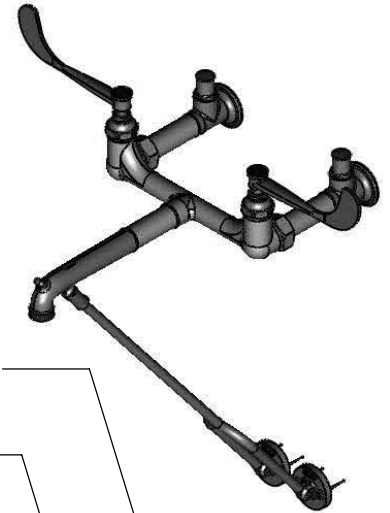
Customer/Wholesaler _____

Contractor _____

Architect/Engineer _____



ADA Compliant



Product Specifications:
8" Centers Service Sink w/ Spout, Lower Wall Support,
6" Wrist Action Handles, 1/2" Female Inlets w/ Integral
Stops & Extensions

Drawn DHL	Checked KJG	Approved JHB
Scale: NTS		Date: 02/10/09



T&S BRASS AND BRONZE WORKS, INC.

2 Saddleback Cove / P.O. Box 1088
Travelers Rest, SC 29690



REG. #A2601
ISO #9001

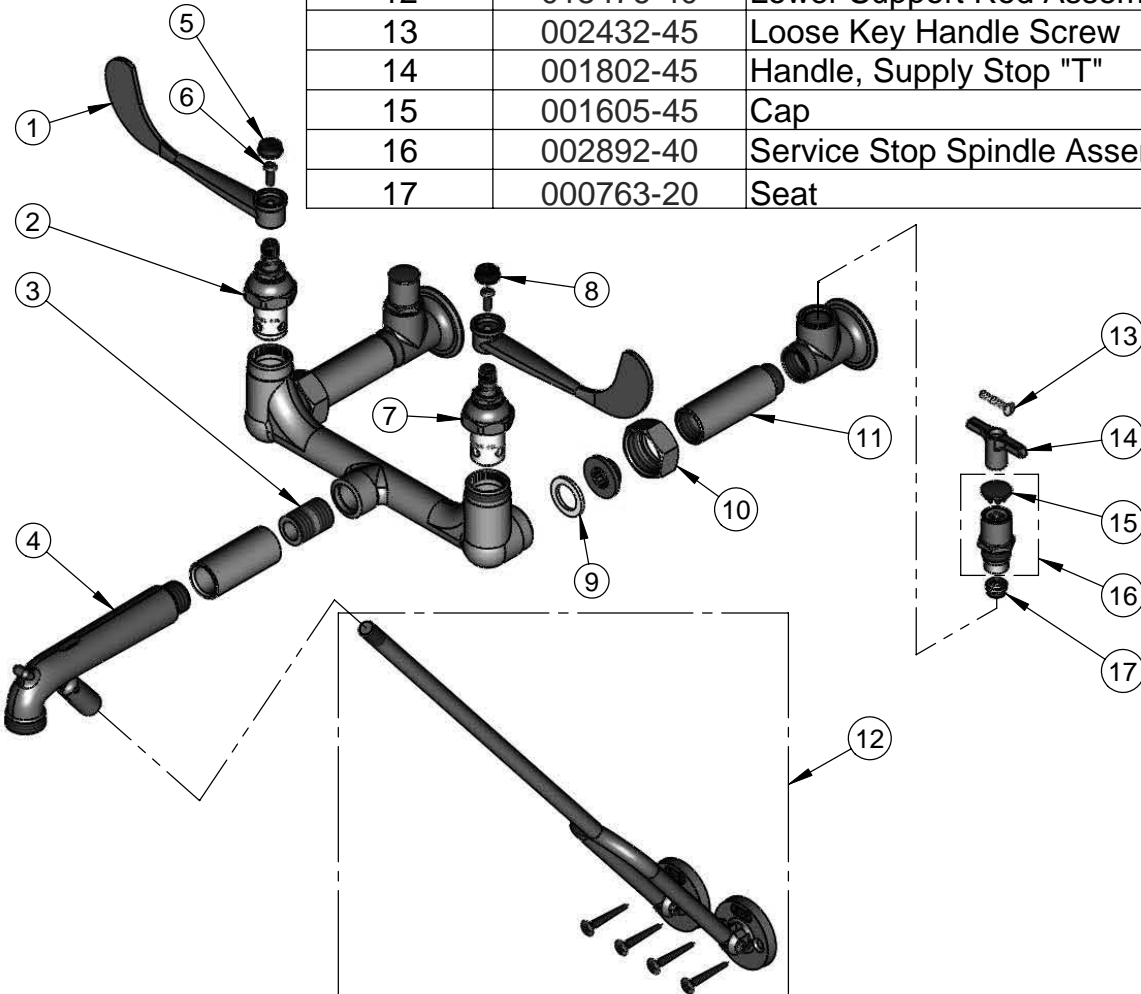
Model No.

B-0362

Item No.

Travelers Rest, SC: 800-476-4103 Simi Valley, CA: 800-423-0150 Fax: 864-834-3518 www.tsbrass.com

ITEM NO.	SALES NO.	DESCRIPTION
1	B-WH6	6" Wrist Action Handle
2	012443-40	Hot Eterna Spindle Assembly w/ Spring Check
3	002534-25	Close Nipple, 1/2" x 1 5/32" Lg Rough Chrome
4	016450-40	Spout Assembly, Polish Chrome w/ Bottom Support
5	001194-45	Red HW Index
6	000925-45	Lab Handle Screw
7	012442-40	Cold Eterna Spindle Assembly w/ Spring Check
8	001686-45	Blue CW Index
9	001019-45	Coupling Nut Washer
10	000721-25	Flange Coupling Nut
11	000610-25	Extension, 2 3/4" Long
12	015476-40	Lower Support Rod Assembly w/ Mounting Screws
13	002432-45	Loose Key Handle Screw
14	001802-45	Handle, Supply Stop "T"
15	001605-45	Cap
16	002892-40	Service Stop Spindle Assembly w/ Cap
17	000763-20	Seat



Product Specifications:

8" Centers Service Sink w/ Spout, Lower Wall Support,
6" Wrist Action Handles, 1/2" Female Inlets w/ Integral
Stops & Extensions

Drawn DHL	Checked KJG	Approved JHB
Scale: NTS		Date: 02/10/09