



# T&S BRASS AND BRONZE WORKS, INC.

2 Saddleback Cove / P.O. Box 1088  
Travelers Rest, SC 29690

Model No.

**B-0490-01**

Item No.

Travelers Rest, SC: 800-476-4103 • Simi Valley, CA: 800-423-0150 • Fax: 864-834-3518 • www.tsbrass.com

This Space for Architect/Engineer Approval

Job Name \_\_\_\_\_ Date \_\_\_\_\_

Model Specified \_\_\_\_\_ Quantity \_\_\_\_\_

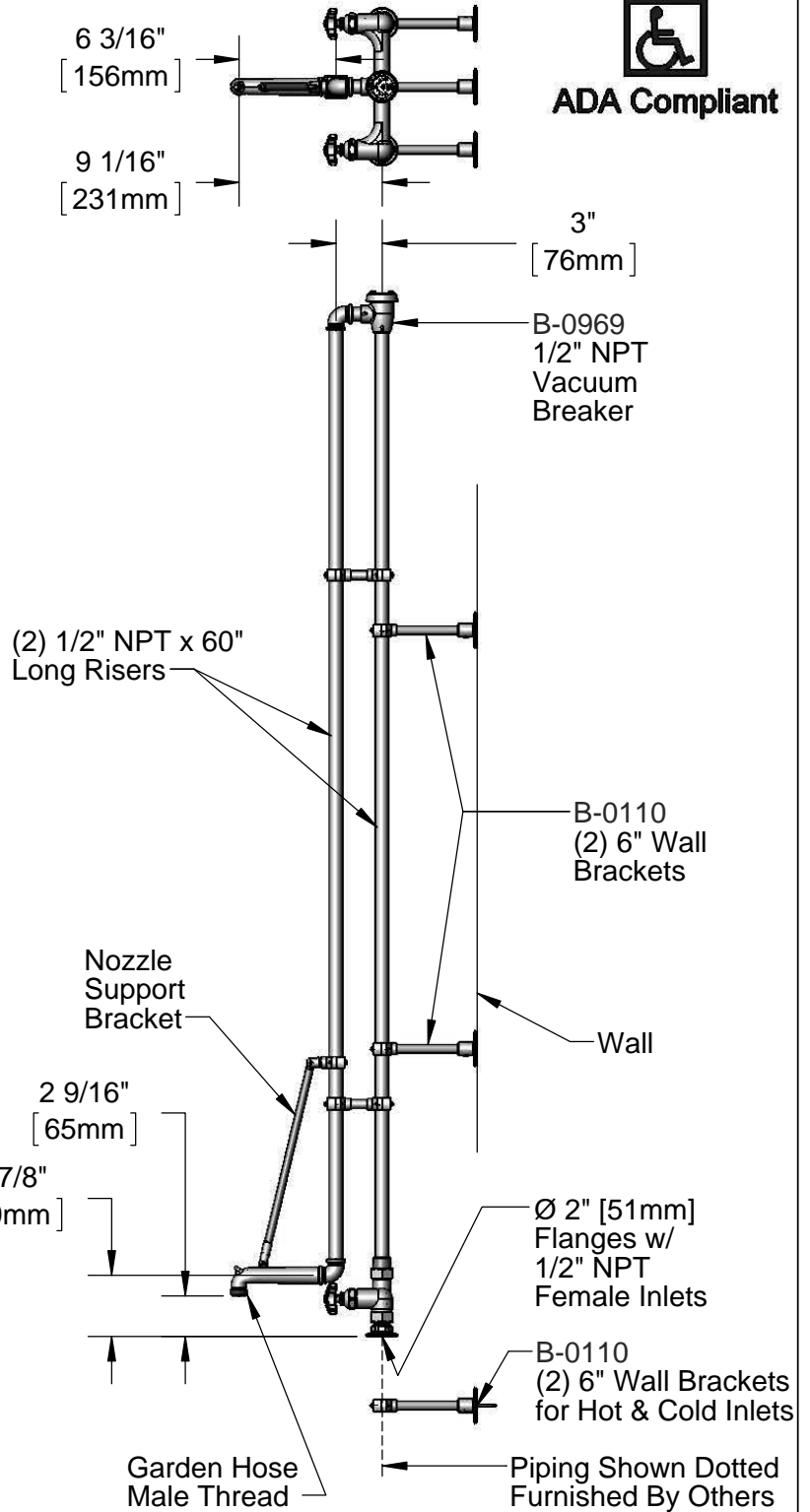
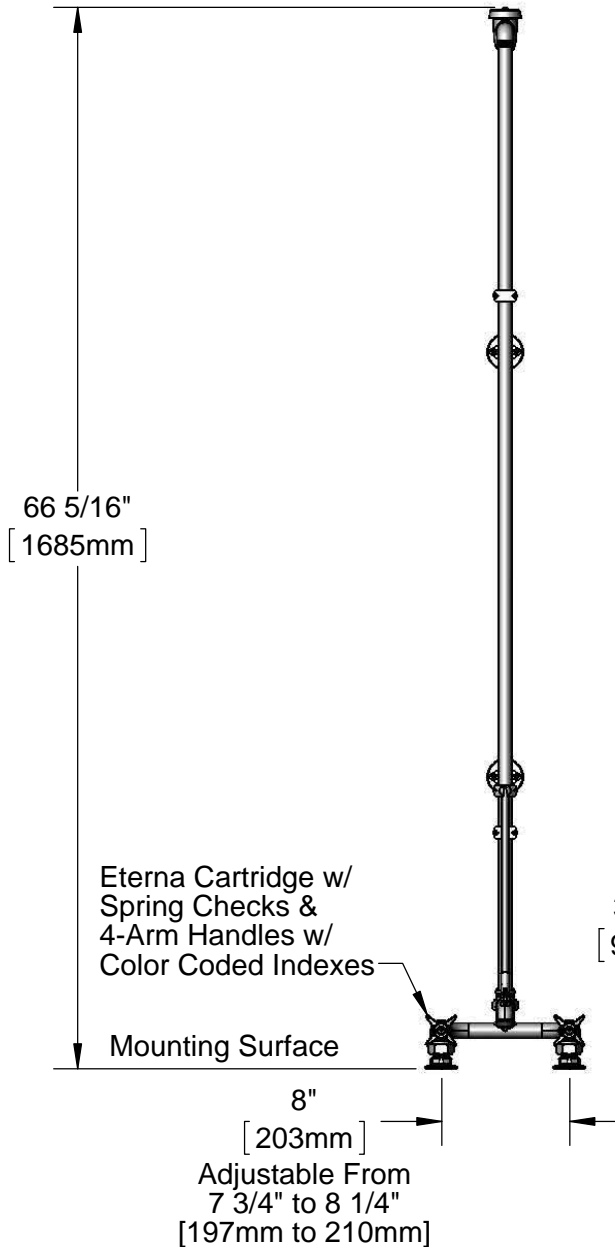
Customer/Wholesaler \_\_\_\_\_

Contractor \_\_\_\_\_

Architect/Engineer \_\_\_\_\_



**ADA Compliant**



Product Specifications:  
8" Deck Mount Service Sink Mixing Faucet w/ Elevated Vacuum Breaker, 6" Wall Brackets, Braced Nozzle & 4-Arm Handles

Drawn <b>DHL</b>	Checked <b>JRM</b>	Approved <b>JHB</b>
Scale: <b>1:12</b>		Date: <b>07/20/12</b>

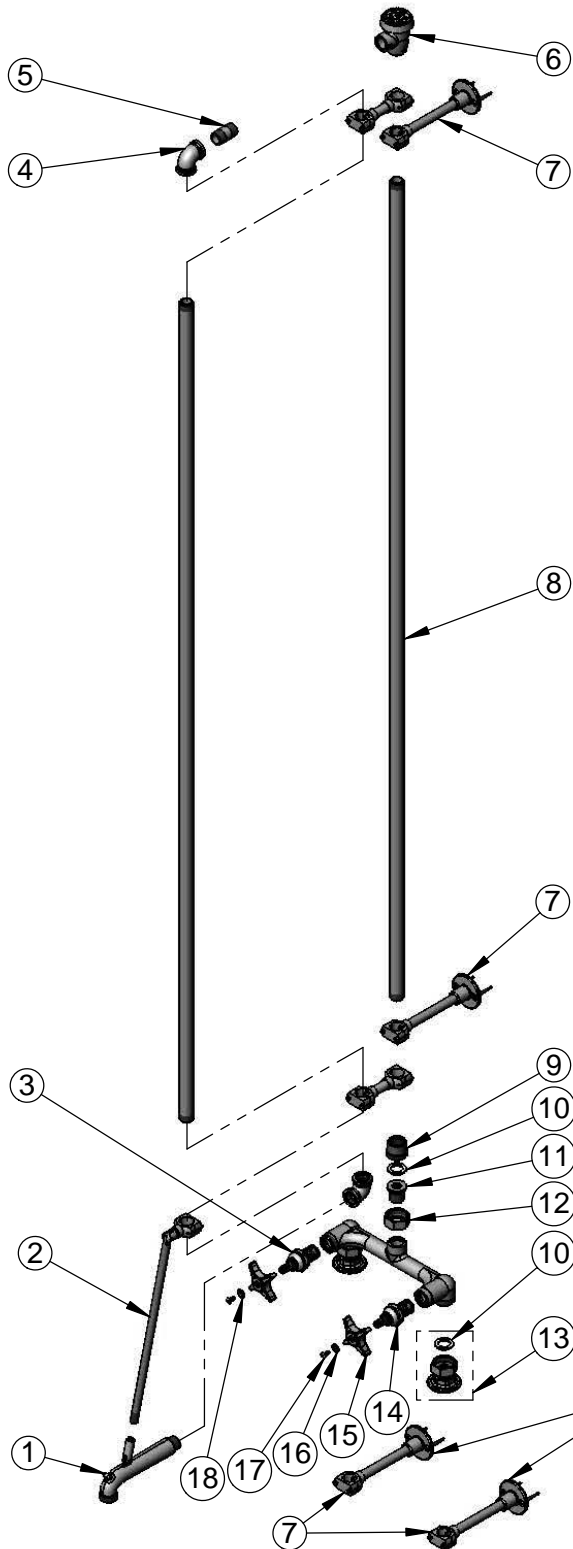


**T&S BRASS AND BRONZE WORKS, INC.**  
 2 Saddleback Cove / P.O. Box 1088  
 Travelers Rest, SC 29690

Model No.  
**B-0490-01**

Item No.

Travelers Rest, SC: 800-476-4103 • Simi Valley, CA: 800-423-0150 • Fax: 864-834-3518 • www.tsbrass.com



ITEM NO.	SALES NO.	DESCRIPTION
1	009545-40	Nozzle w/ Upper Clevis (Chrome Plated)
2	009541-40	Nozzle Upper Support
3	002712-40	Eterna Cartridge, RTC w/ Spring Checks
4	001357-40	1/2" NPT Cast Round Elbow
5	001509-40	1/2" NPT x 1 1/2" Long Nipple
6	B-0969	1/2" NPT Vacuum Breaker
7	B-0110	6" Wall Bracket
8	001678-40	1/2" NPT x 60" Long Nipple
9	000870-40	Union, Male Half (Plated)
10	001019-45	Coupling Nut Washer
11	000688-25	Insert, 1/2 NPT Male Union
12	000721-25	Flange Coupling Nut
13	00AA	1/2" NPT Female Inlet Flange
14	002711-40	Eterna Cartridge, LTC w/ Spring Checks
15	002521-45	4-Arm Handle
16	001660-45	Blue Index-CW
17	000922-45	Lever Handle Screw
18	001661-45	Red Index-HW

Wall Brackets for Hot & Cold Inlet Plumbing

Product Specifications:  
 8" Deck Mount Service Sink Mixing Faucet w/ Elevated Vacuum Breaker, 6" Wall Brackets, Braced Nozzle & 4-Arm Handles

Drawn <b>DHL</b>	Checked <b>JRM</b>	Approved <b>JHB</b>
Scale: <b>NTS</b>		Date: <b>07/20/12</b>