



**T&S BRASS AND BRONZE WORKS, INC.**  
 2 Saddleback Cove / P.O. Box 1088  
 Travelers Rest, SC 29690

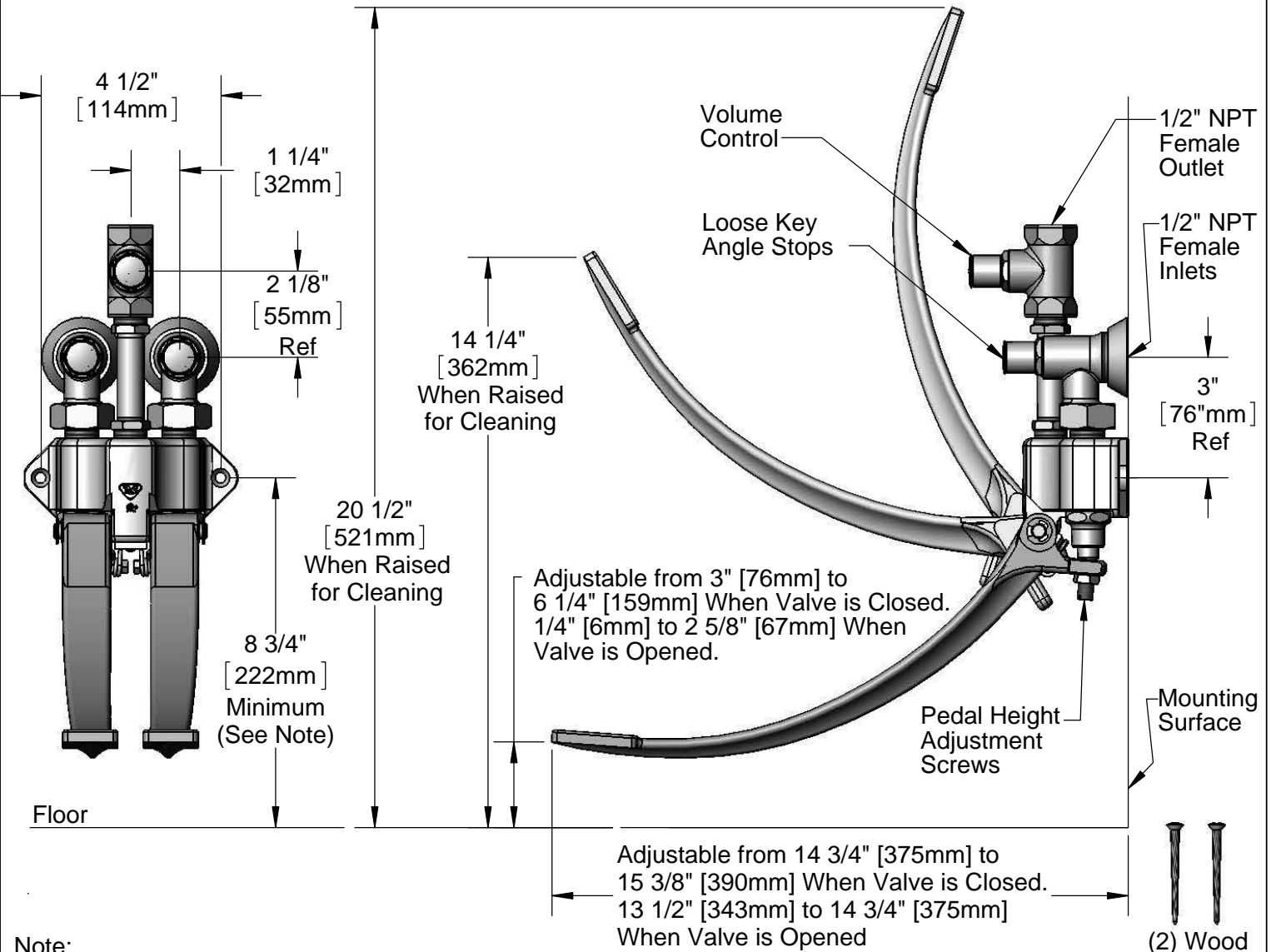
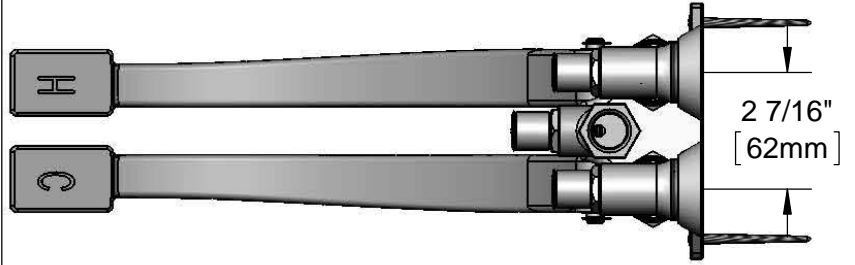
Model No.  
**B-0504-02**

Item No.

Travelers Rest, SC: 800-476-4103 • Simi Valley, CA: 800-423-0150 • Fax: 864-834-3518 • www.tsbrass.com

This Space for Architect/Engineer Approval

Job Name \_\_\_\_\_ Date \_\_\_\_\_  
 Model Specified \_\_\_\_\_ Quantity \_\_\_\_\_  
 Customer/Wholesaler \_\_\_\_\_  
 Contractor \_\_\_\_\_  
 Architect/Engineer \_\_\_\_\_



Note:  
 All Pedal Position Dimensions are Based on a Recommended Minimum Mounting Height of 8 3/4" [222mm] Above Finished Floor

Product Specifications:  
**Double Pedal Valve w/ Loose Key Angle Stop & Straight Volume Control**

Product Compliance:  
 ASME A112.18.1 / CSA B125.1  
 NSF 61 - Section 9  
 NSF 372 (Low Lead Content)



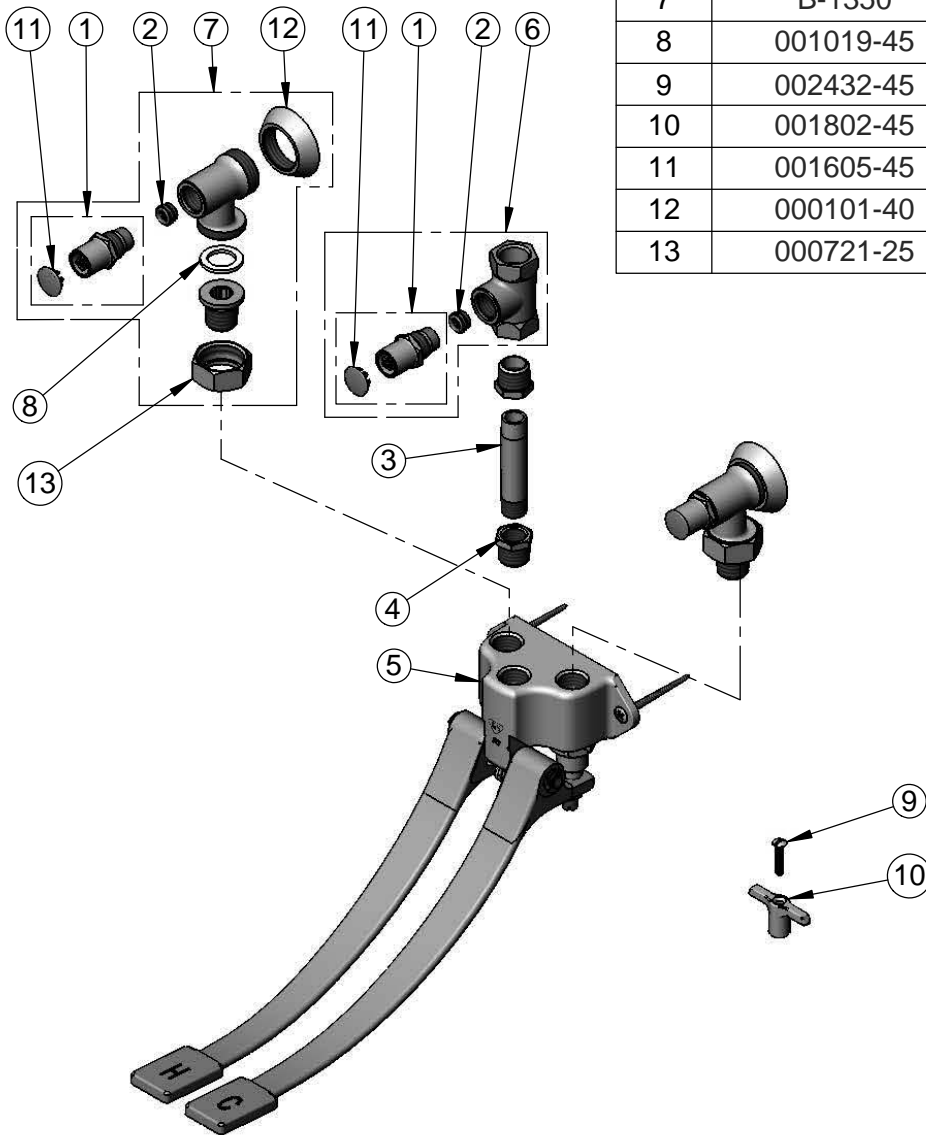
**T&S BRASS AND BRONZE WORKS, INC.**  
 2 Saddleback Cove / P.O. Box 1088  
 Travelers Rest, SC 29690

Model No.  
**B-0504-02**

Item No.

Travelers Rest, SC: 800-476-4103 • Simi Valley, CA: 800-423-0150 • Fax: 864-834-3518 • www.tsbrass.com

| ITEM NO. | SALES NO. | DESCRIPTION                              |
|----------|-----------|--|
| 1        | 166A      | Service Stop w/ Cap, T-Handle & Screw    |
| 2        | 000763-20 | Seat                                     |
| 3        | 010092-40 | Nipple, 3/8" NPT x 4 1/4" Long           |
| 4        | 001359-40 | Hex Bushing, 1/2" Male x 3/8" NPT Female |
| 5        | B-0504    | Double Pedal Valve Wall Mount            |
| 6        | B-0416    | Straight Loose Key Stop                  |
| 7        | B-1350    | Loose Key Angle Stop                     |
| 8        | 001019-45 | Coupling Nut Washer                      |
| 9        | 002432-45 | Screw, Tee Handle                        |
| 10       | 001802-45 | Handle, Supply Stop "T"                  |
| 11       | 001605-45 | Cap                                      |
| 12       | 000101-40 | Flange                                   |
| 13       | 000721-25 | Flange Coupling Nut                      |



Product Specifications:  
**Double Pedal Valve w/ Loose Key Angle Stop & Straight Volume Control**

Product Compliance:  
 ASME A112.18.1 / CSA B125.1  
 NSF 61 - Section 9  
 NSF 372 (Low Lead Content)