



T&S BRASS AND BRONZE WORKS, INC.

2 Saddleback Cove / P.O. Box 1088
Travelers Rest, SC 29690



REG. #A2601
ISO #9001

Model No.
B-0507-SL

Item No.

Travelers Rest, SC: 800-476-4103 Simi Valley, CA: 800-423-0150 Fax: 864-834-3518 www.tsbrass.com

This Space for Architect/Engineer Approval

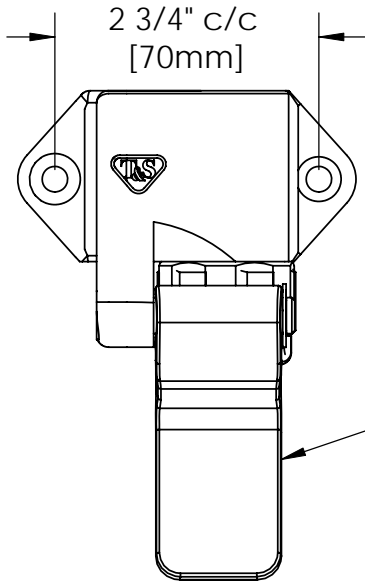
Job Name _____ Date _____

Model Specified _____ Quantity _____

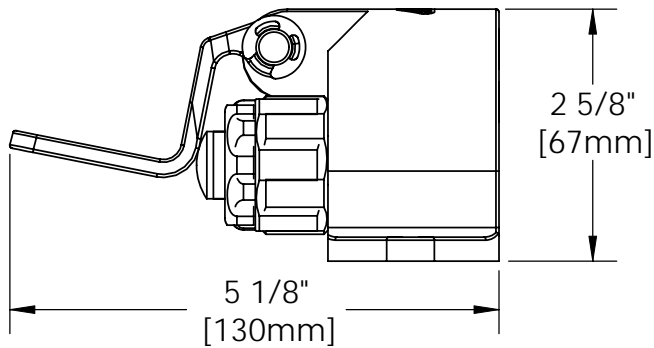
Customer/Wholesaler _____

Contractor _____

Architect/Engineer _____

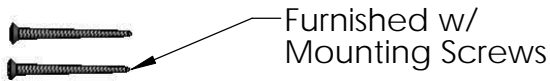
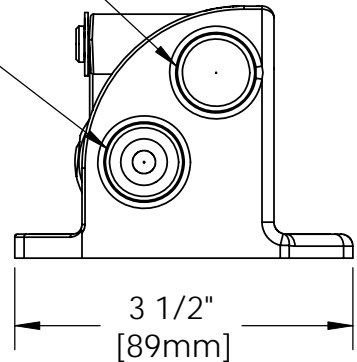


Solid Brass Pedal



1/2" NPT
Female
Outlet

1/2" NPT
Female Inlet



Product Specifications:
Single Foot Pedal Valve w/ Metering Cartridge,
1/2" NPT Female Inlet & Outlet

Drawn KJG	Checked DHL	Approved JHB
Scale: 1:2		Date: 7/29/08



T&S BRASS AND BRONZE WORKS, INC.

2 Saddleback Cove / P.O. Box 1088
Travelers Rest, SC 29690



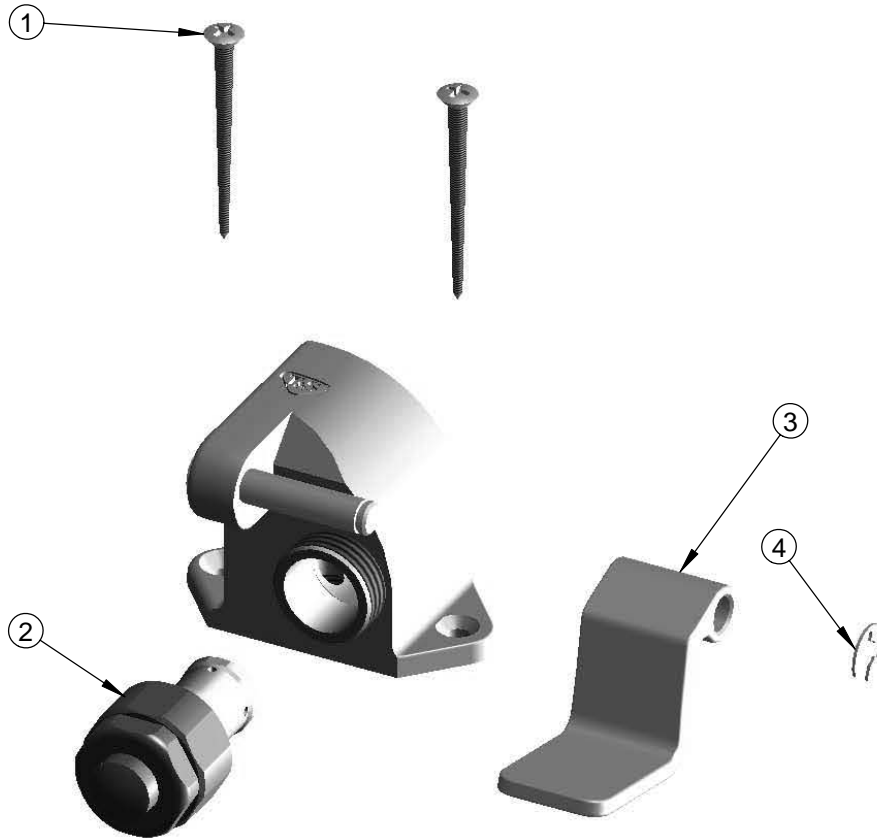
REG. #A2601
ISO #9001

Model No.
B-0507-SL

Item No.

Travelers Rest, SC: 800-476-4103 Simi Valley, CA: 800-423-0150 Fax: 864-834-3518 www.tsbrass.com

ITEM NO.	SALES NO.	DESCRIPTION
1	003749-45	Foot Pedal Mtg. Screw
2	011399-40	Metering Cartridge
3	000090-25	Foot Pedal
4	012512-45	Retaining Ring



Product Specifications:

Single Foot Pedal Valve w/ Metering Cartridge,
1/2" NPT Female Inlet & Outlet

Drawn KJG	Checked DHL	Approved JHB
Scale: NTS		Date: 7/29/08