



T&S BRASS AND BRONZE WORKS, INC.
 2 Saddleback Cove / P.O. Box 1088
 Travelers Rest, SC 29690

Model No.
B-0508-02

Item No.

Travelers Rest, SC: 800-476-4103 • Simi Valley, CA: 800-423-0150 • Fax: 864-834-3518 • www.tsbrass.com

This Space for Architect/Engineer Approval

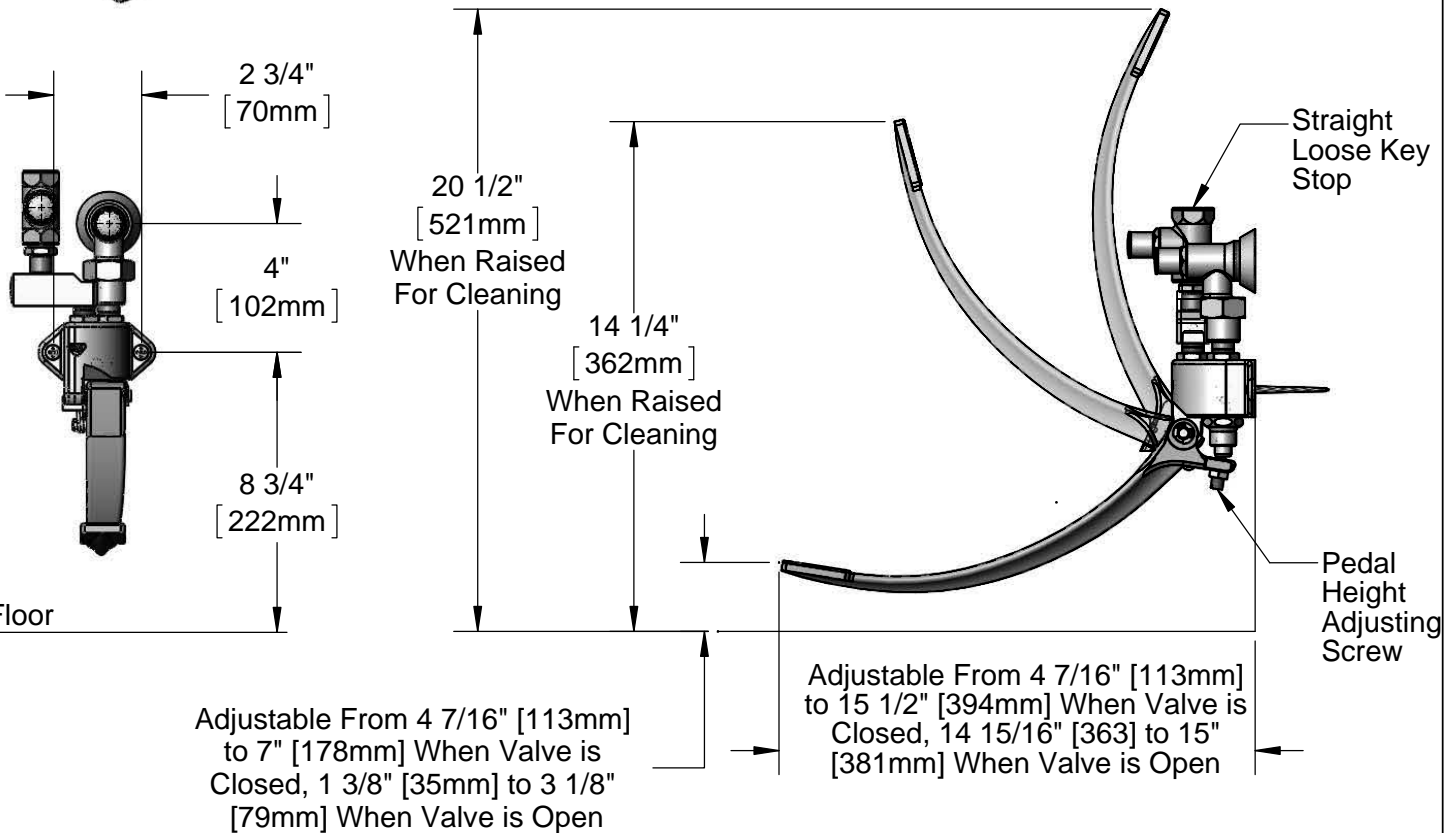
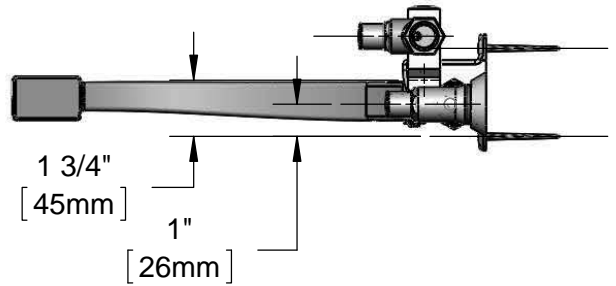
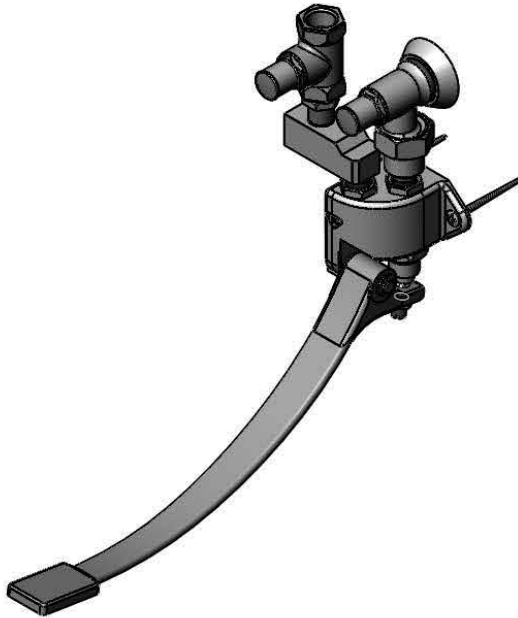
Job Name _____ Date _____

Model Specified _____ Quantity _____

Customer/Wholesaler _____

Contractor _____

Architect/Engineer _____



Product Specifications:
 Single Pedal Valve With Straight Stop & Volume Control

Product Compliance:
 ASME A112.18.1 / CSA B125.1
 NSF 61 - Section 9
 NSF 372 (Low Lead Content)



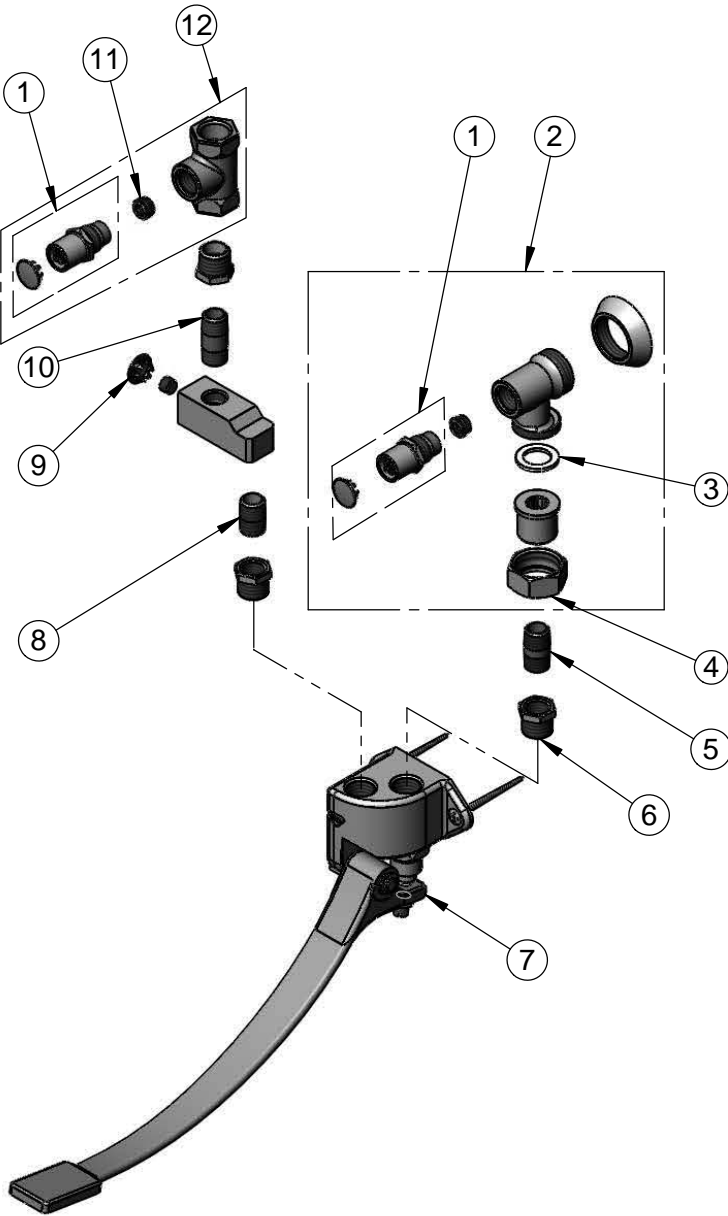
T&S BRASS AND BRONZE WORKS, INC.
 2 Saddleback Cove / P.O. Box 1088
 Travelers Rest, SC 29690

Model No.
B-0508-02

Item No.

Travelers Rest, SC: 800-476-4103 • Simi Valley, CA: 800-423-0150 • Fax: 864-834-3518 • www.tsbrass.com

| ITEM NO. | SALES NO. | DESCRIPTION |
|----------|-----------|--|
| 1 | 166A | Service Stop w/ Cap, T-Handle & Screw |
| 2 | B-1351 | Loose Key Angle Stop 3/8" NPT |
| 3 | 001019-45 | Coupling Nut Washer |
| 4 | 000721-25 | Flange Coupling Nut |
| 5 | 000355-40 | Nipple 3/8 NPT X 1 1/4" |
| 6 | 001359-40 | Hex Bushing, 1/2" NPT Male x 3/8" NPT Female |
| 7 | B-0508 | Single Pedal Valve |
| 8 | 002535-25 | 3/8" Close Nipple |
| 9 | 001605-45 | Cap |
| 10 | 002341-40 | Nipple, 3/8" NPT x 1-1/2" |
| 11 | 000763-20 | Seat |
| 12 | B-0416 | Loose Key Straight Stop Assembly |



Product Specifications:
Single Pedal Valve With Straight Stop & Volume Control

Product Compliance:
 ASME A112.18.1 / CSA B125.1
 NSF 61 - Section 9
 NSF 372 (Low Lead Content)