



**T&S BRASS AND BRONZE WORKS, INC.**  
 2 Saddleback Cove / P.O. Box 1088  
 Travelers Rest, SC 29690

Model No.  
**B-0512-0101-CV**

Item No.

Travelers Rest, SC: 800-476-4103 • Simi Valley, CA: 800-423-0150 • Fax: 864-834-3518 • www.tsbrass.com

This Space for Architect/Engineer Approval

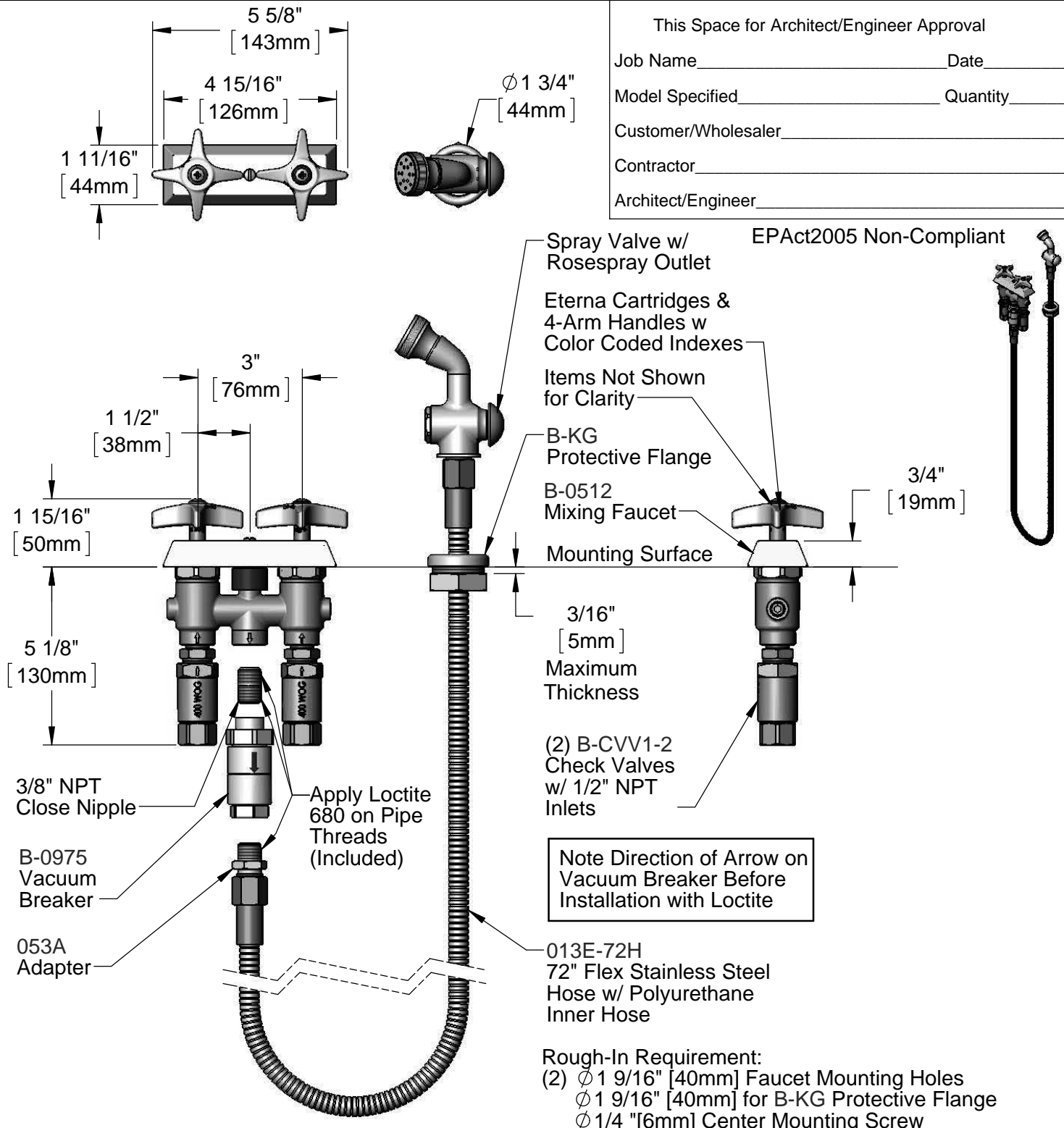
Job Name \_\_\_\_\_ Date \_\_\_\_\_

Model Specified \_\_\_\_\_ Quantity \_\_\_\_\_

Customer/Wholesaler \_\_\_\_\_

Contractor \_\_\_\_\_

Architect/Engineer \_\_\_\_\_



Rough-In Requirement:  
 (2) Ø 1 9/16" [40mm] Faucet Mounting Holes  
 Ø 1 9/16" [40mm] for B-KG Protective Flange  
 Ø 1/4" [6mm] Center Mounting Screw

Product Specifications:  
 3" Concealed Mixing Faucet w/ 4-Arm Handles, Vacuum Breaker, Check Valves, Protective Flange & Spray Valve w/ Rosespray Outlet

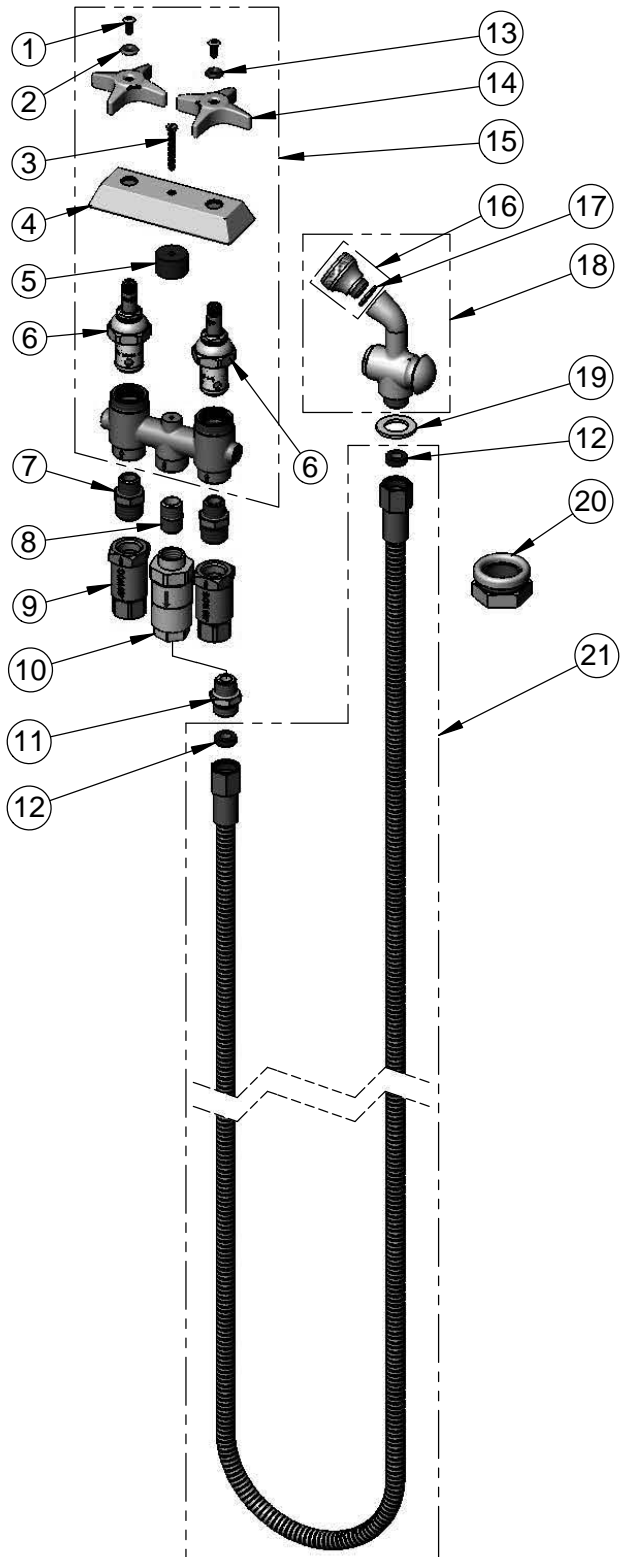
Drawn <b>KJG</b>	Checked <b>DMH</b>	Approved <b>JHB</b>
Scale: <b>1:4</b>		Date: <b>01/21/13</b>



**T&S BRASS AND BRONZE WORKS, INC.**  
 2 Saddleback Cove / P.O. Box 1088  
 Travelers Rest, SC 29690

Model No.  
**B-0512-0101-CV**  
 Item No.

Travelers Rest, SC: 800-476-4103 • Simi Valley, CA: 800-423-0150 • Fax: 864-834-3518 • www.tsbrass.com



ITEM NO.	SALES NO.	DESCRIPTION
1	000922-45	Lever Handle Screw
2	001661-45	Red Index-HW
3	002819-45	Screw
4	000020-40	Escutcheon
5	015986-45	Spacer
6	006020-40	Eterna Cartridge, RTC
7	062A	Adapter, 3/8" NPT Male x 1/2" NPT Male
8	002535-25	3/8" Close Nipple
9	B-CVV1-2	1/2" Check Valve
10	B-0975	Dual Check Valve Vacuum Breaker
11	053A	Adapter, 3/8" NPT x 3/4"-14UN
12	010476-45	#27 Washer
13	001660-45	Blue Index-CW
14	002521-45	4-Arm Handle
15	B-0512	Concealed Mixing Faucet
16	B-0103	Spray Head Assembly
17	001043-45	Washer
18	002857-40	Spray Valve w/ Rosespray Outlet
19	001010-40	Washer, Stainless Steel
20	B-KG	Protective Flange
21	013E-72H	72" Flex Stainless Steel Hose

Product Specifications:  
 3" Concealed Mixing Faucet w/ 4-Arm Handles, Vacuum Breaker, Check Valves, Protective Flange & Spray Valve w/ Rosespray Outlet

Drawn <b>KJG</b>	Checked <b>DMH</b>	Approved <b>JHB</b>
Scale: <b>NTS</b>		Date: <b>01/21/13</b>