



**T&S BRASS AND BRONZE WORKS, INC.**

2 Saddleback Cove / P.O. Box 1088  
Travelers Rest, SC 29690

Model No.

**B-0592-26-CH**

Item No.

Travelers Rest, SC: 800-476-4103 • Simi Valley, CA: 800-423-0150 • Fax: 864-834-3518 • www.tsbrass.com

This Space for Architect/Engineer Approval

Job Name \_\_\_\_\_ Date \_\_\_\_\_

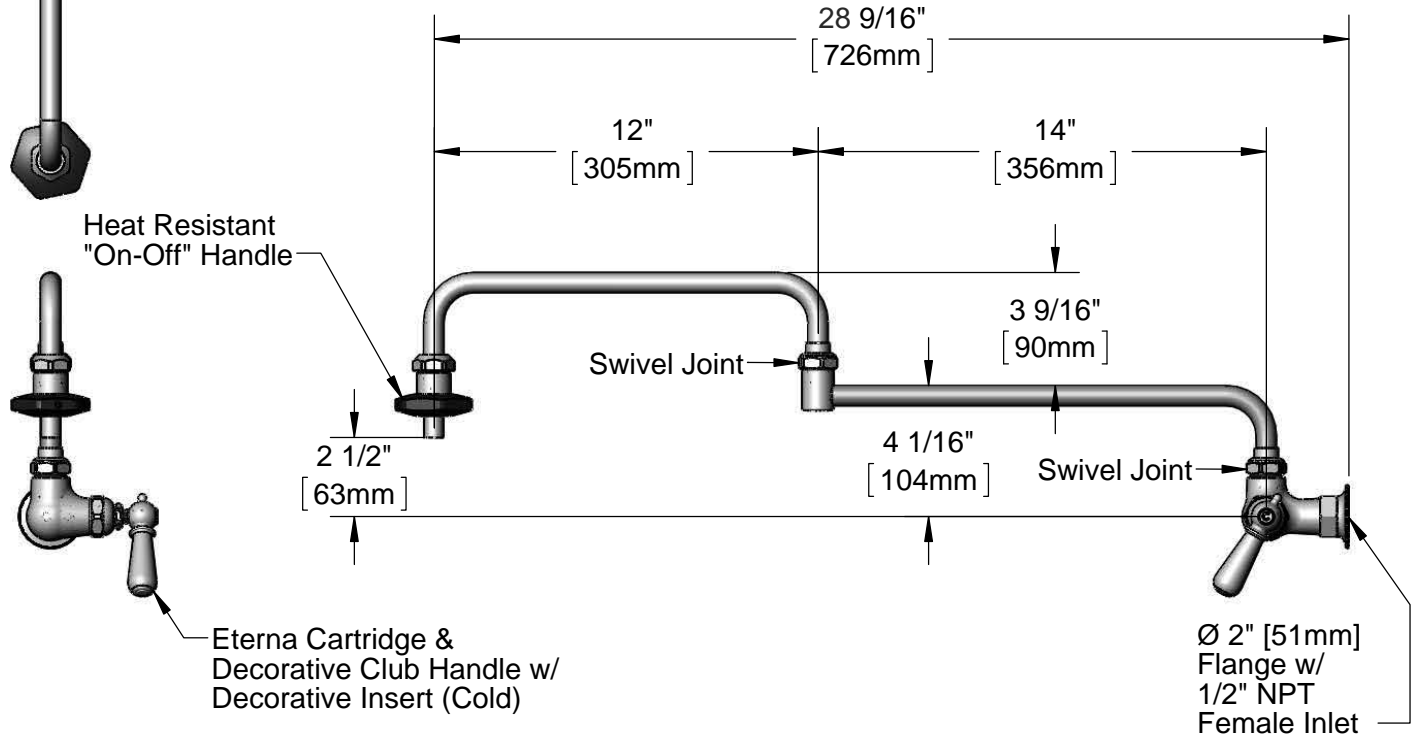
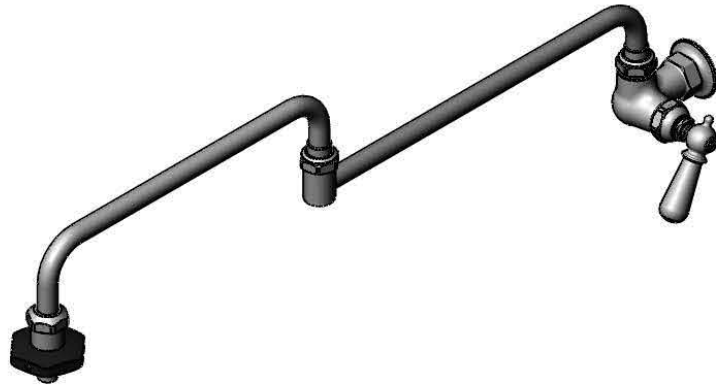
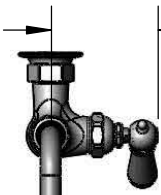
Model Specified \_\_\_\_\_ Quantity \_\_\_\_\_

Customer/Wholesaler \_\_\_\_\_

Contractor \_\_\_\_\_

Architect/Engineer \_\_\_\_\_

3 5/16"  
[85mm]



Product Specifications:

Pot Filler Wall Mount, Single Control w/ 26" Double Joint Swing Nozzle, Heat Resistant Handle, Eterna Cartridge, Decorative Club Handle w/ Decorative Insert "Cold" & 1/2" NPT Female Inlet

Drawn

**DHL**

Checked

**KJG**

Approved

**JHB**

Scale:

**1:6**

Date:

**05/31/13**



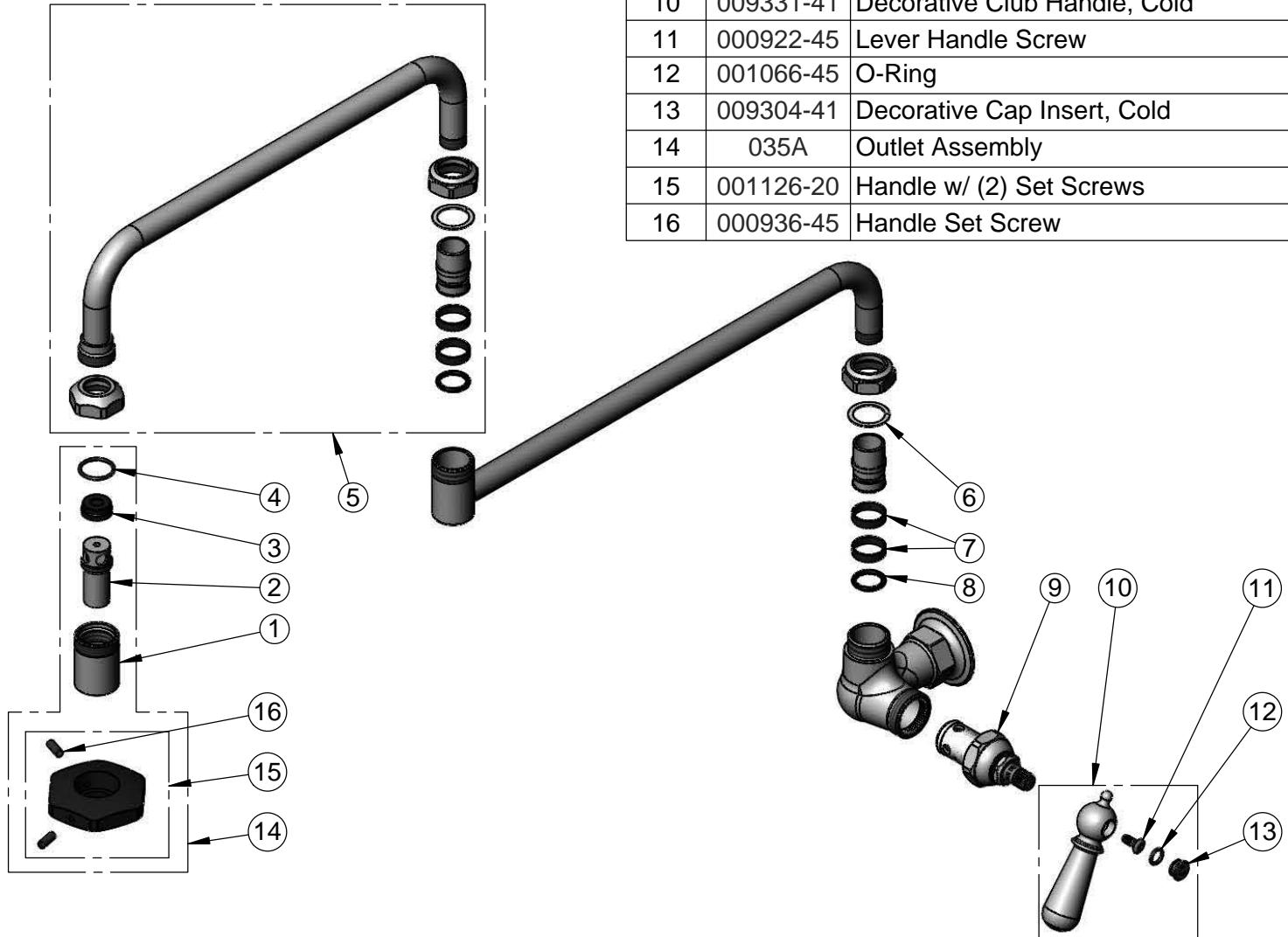
**T&S BRASS AND BRONZE WORKS, INC.**  
 2 Saddleback Cove / P.O. Box 1088  
 Travelers Rest, SC 29690

Model No.  
**B-0592-26-CH**

Item No.

Travelers Rest, SC: 800-476-4103 • Simi Valley, CA: 800-423-0150 • Fax: 864-834-3518 • www.tsbrass.com

ITEM NO.	SALES NO.	DESCRIPTION
1	000587-25	Spout Body
2	001498-25	Spout
3	001089-45	Seal
4	003426-45	O-Ring
5	002869-40	12" Front Section, DJN
6	009538-45	Swivel Washer
7	011429-45	Swivel Sleeves (2)
8	001074-45	O-Ring
9	005960-40	Eterna Cartridge, RTC
10	009331-41	Decorative Club Handle, Cold
11	000922-45	Lever Handle Screw
12	001066-45	O-Ring
13	009304-41	Decorative Cap Insert, Cold
14	035A	Outlet Assembly
15	001126-20	Handle w/ (2) Set Screws
16	000936-45	Handle Set Screw



Product Specifications:  
 Pot Filler Wall Mount, Single Control w/ 26" Double Joint  
 Swing Nozzle, Heat Resistant Handle, Eterna Cartridge,  
 Decorative Club Handle w/ Decorative Insert "Cold" &  
 1/2" NPT Female Inlet

Drawn <b>DHL</b>	Checked <b>KJG</b>	Approved <b>JHB</b>
Scale: <b>NTS</b>		Date: <b>05/31/13</b>