



T&S BRASS AND BRONZE WORKS, INC.
 2 Saddleback Cove / P.O. Box 1088
 Travelers Rest, SC 29690

Model No.
B-0594

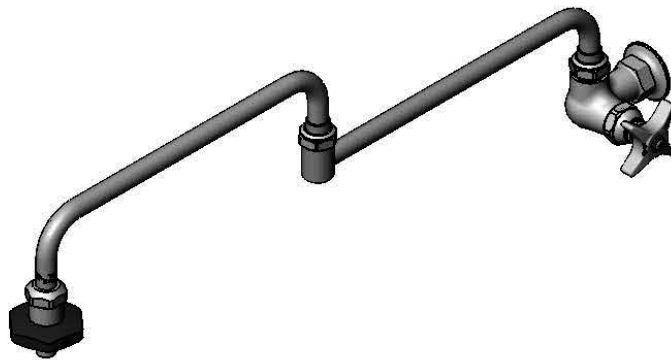
Item No.

Travelers Rest, SC: 800-476-4103 • Simi Valley, CA: 800-423-0150 • Fax: 864-834-3518 • www.tsbrass.com

This Space for Architect/Engineer Approval

Job Name _____ Date _____
 Model Specified _____ Quantity _____
 Customer/Wholesaler _____
 Contractor _____
 Architect/Engineer _____

3 1/8"
 [80mm]



7 11/16"
 [195mm]

Heat Resistant
 "On-Off"
 Handle

2 1/2"
 [64mm]

3 5/16"
 [84mm]

Swivel Joint

Swivel Joint

Eterna Cartridge &
 4-Arm Handle w/
 Blue (CW) Index

Ø 2" [51mm]
 Flange w/
 1/2" NPT
 Female Inlet

26 9/16"
 [675mm]

12"
 [305mm]

12"
 [305mm]

Product Specifications:

Pot Filler Faucet w/ 4-Arm Handle & Blue (CW) Index, Double Joint Swing Nozzle, Heat Resistant Handle & 1/2" NPT Female Inlet

Product Compliance:

ASME A112.18.1 / CSA B125.1
 NSF 61 - Section 9
 NSF 372 (Low Lead Content)



T&S BRASS AND BRONZE WORKS, INC.

2 Saddleback Cove / P.O. Box 1088
Travelers Rest, SC 29690

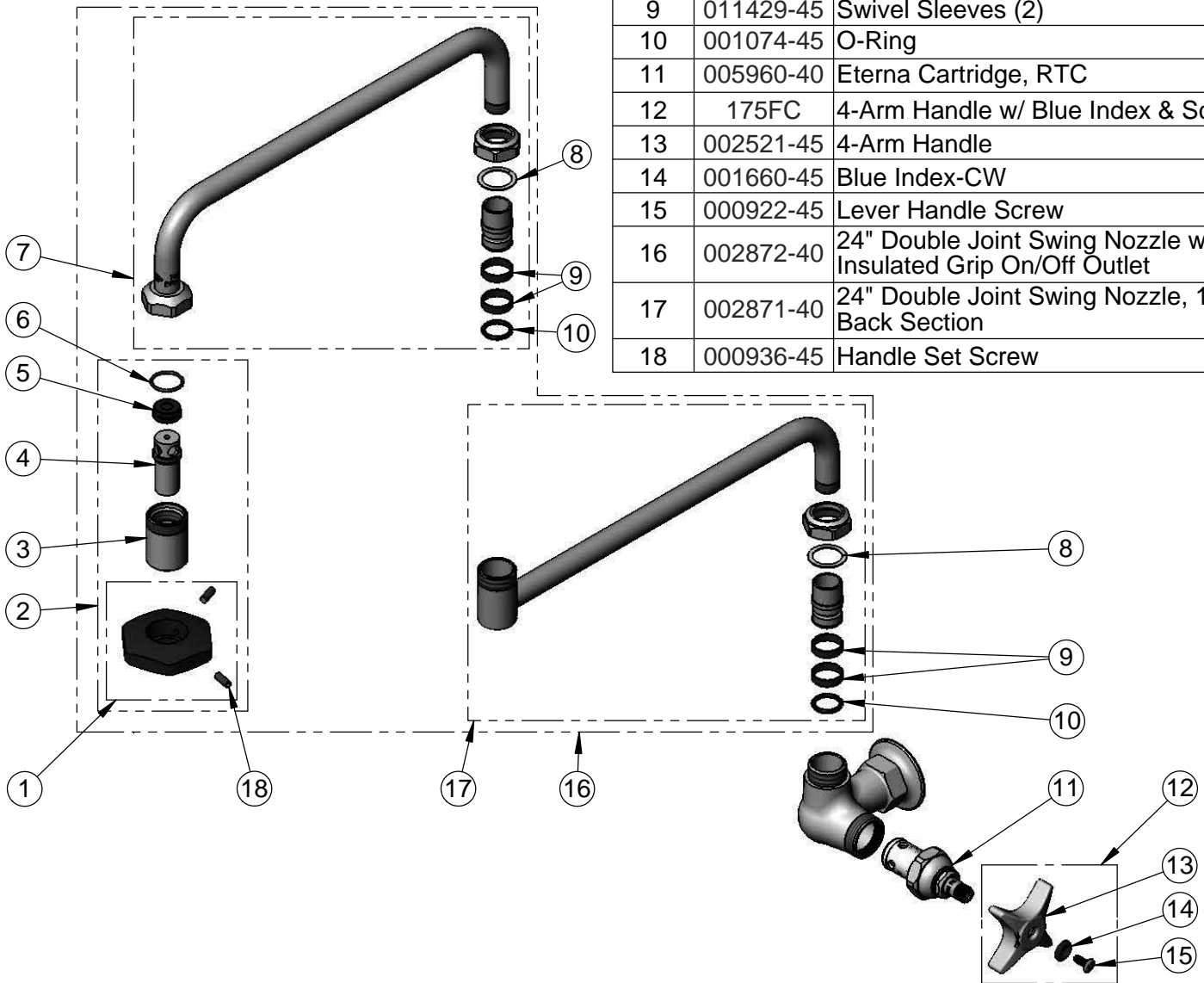
Model No.

B-0594

Item No.

Travelers Rest, SC: 800-476-4103 • Simi Valley, CA: 800-423-0150 • Fax: 864-834-3518 • www.tsbrass.com

ITEM NO.	SALES NO.	DESCRIPTION
1	001126-20	Handle w/ (2) Set Screws
2	035A	Outlet
3	000587-25	Spout Body
4	001498-25	Spout
5	001089-45	Seal
6	003426-45	O-Ring
7	002869-40	24" Double Joint Swing Nozzle, 12" Front Section
8	009538-45	Swivel Washer
9	011429-45	Swivel Sleeves (2)
10	001074-45	O-Ring
11	005960-40	Eterna Cartridge, RTC
12	175FC	4-Arm Handle w/ Blue Index & Screw
13	002521-45	4-Arm Handle
14	001660-45	Blue Index-CW
15	000922-45	Lever Handle Screw
16	002872-40	24" Double Joint Swing Nozzle w/ Insulated Grip On/Off Outlet
17	002871-40	24" Double Joint Swing Nozzle, 12" Back Section
18	000936-45	Handle Set Screw



Product Specifications:

Pot Filler Faucet w/ 4-Arm Handle & Blue (CW) Index, Double Joint Swing Nozzle, Heat Resistant Handle & 1/2" NPT Female Inlet

Product Compliance:

ASME A112.18.1 / CSA B125.1
NSF 61 - Section 9
NSF 372 (Low Lead Content)