

T&S BRASS AND BRONZE WORKS, INC.

2 Saddleback Cove / P.O. Box 1088
Travelers Rest, SC 29690

Model No.

B-0597-CR

Item No.

Travelers Rest, SC: 800-476-4103 • Simi Valley, CA: 800-423-0150 • Fax: 864-834-3518 • www.tsbrass.com

This Space for Architect/Engineer Approval

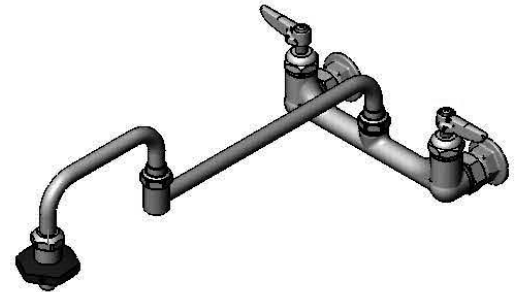
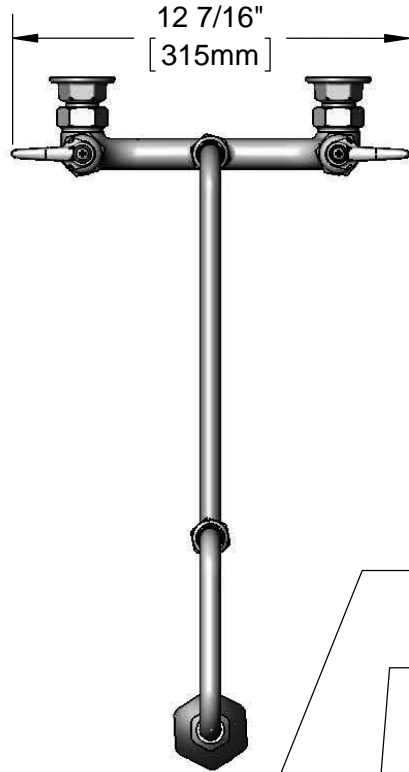
Job Name _____ Date _____

Model Specified _____ Quantity _____

Customer/Wholesaler _____

Contractor _____

Architect/Engineer _____



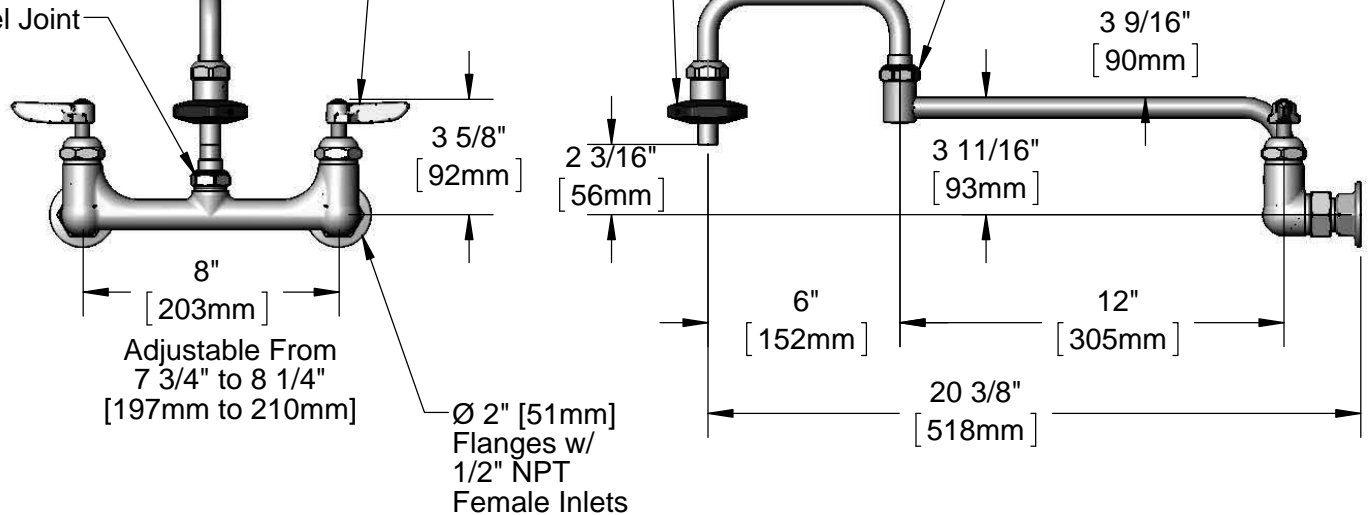
18" Double Joint Swing Nozzle w/ Heat Resistant Handle

Cerama Cartridges w/ Check Valves & Lever Handles w/ Color Coded Indexes

Heat Resistant "On-Off" Handle

Swivel Joint

Swivel Joint



Product Specifications:

8" Wall Mount Mixing Faucet, Cerama Cartridges w/ Check Valves, Lever Handles, 18" Double Joint Swing Nozzle w/ Heat Resistant Handle & 1/2" NPT Inlet Wall Flanges

Product Compliance:

ASME A112.18.1 / CSA B125.1
NSF 61 - Section 9
NSF 372 (Low Lead Content)



T&S BRASS AND BRONZE WORKS, INC.

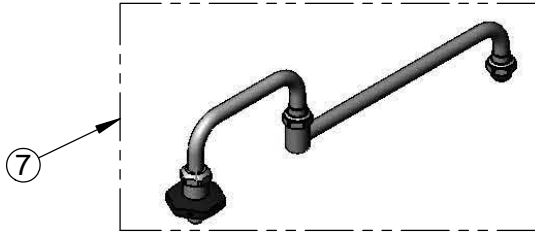
2 Saddleback Cove / P.O. Box 1088
Travelers Rest, SC 29690

Model No.

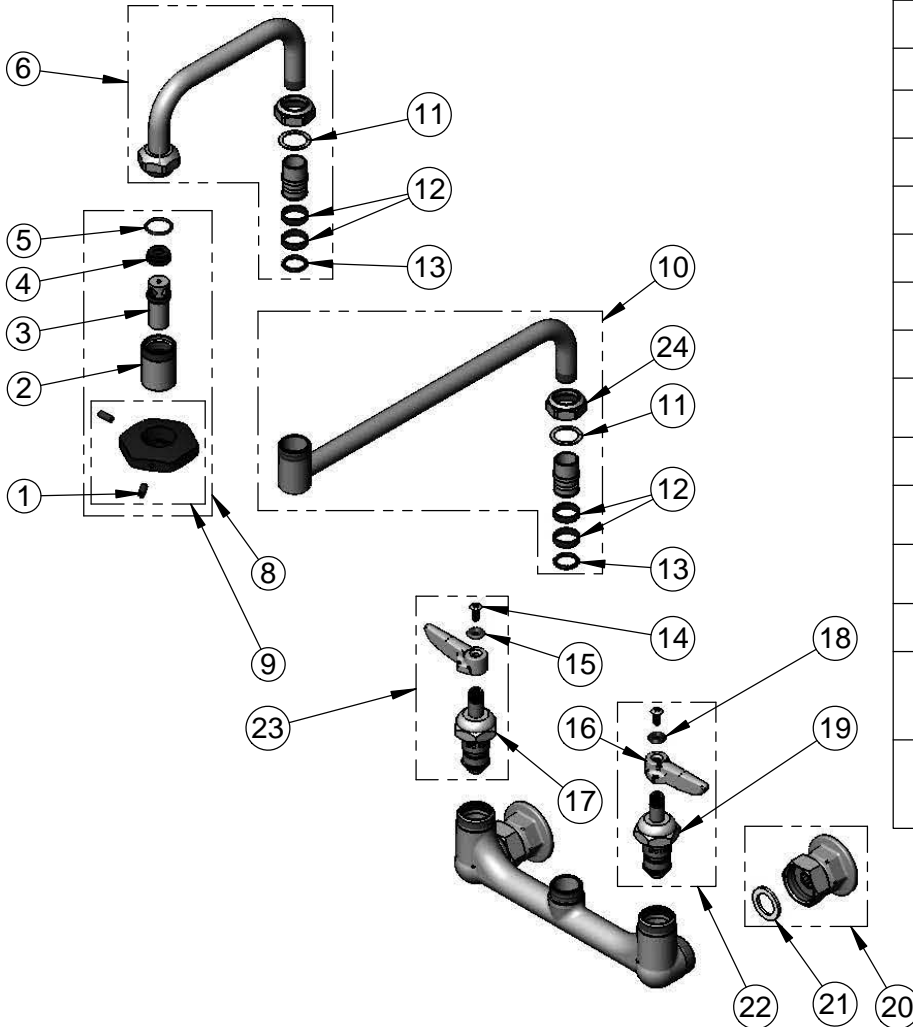
B-0597-CR

Item No.

Travelers Rest, SC: 800-476-4103 • Simi Valley, CA: 800-423-0150 • Fax: 864-834-3518 • www.tsbrass.com



Additional View for Bill of Material Clarification w/o Faucet



ITEM NO.	SALES NO.	DESCRIPTION
1	000936-45	Handle Set Screw
2	000587-25	Spout Body
3	001498-25	Spout
4	001089-45	Seal
5	003426-45	O-Ring
6	002870-40	6" Front Section
7	002848-40	18" Double Joint Nozzle
8	035A	Outlet
9	001126-20	Handle w/ (2) Set Screws
10	002871-40	12" Back Section
11	009538-45	Swivel Washer
12	011429-45	Swivel Sleeves (2)
13	001074-45	O-Ring
14	000922-45	Lever Handle Screw
15	001661-45	Red Index-HW
16	001638-45	Lever Handle
17	012394-25	Cerama Cartridge, RTC w/ Check Valve
18	001660-45	Blue Index-CW
19	012395-25	Cerama Cartridge, LTC w/ Check Valve
20	00AA	1/2" NPT Female Eccentric Flange
21	001019-45	Coupling Nut Washer
22	012447-25	Cerama Cartridge, LTC w/ Check Valve, Lever Handle, Index & Screw
23	012446-25	Cerama Cartridge, RTC w/ Check Valve, Lever Handle, Index & Screw

Product Specifications:

8" Wall Mount Mixing Faucet, Cerama Cartridges w/ Check Valves, Lever Handles, 18" Double Joint Swing Nozzle w/ Heat Resistant Handle & 1/2" NPT Inlet Wall Flanges

Product Compliance:

ASME A112.18.1 / CSA B125.1
NSF 61 - Section 9
NSF 372 (Low Lead Content)