



T&S BRASS AND BRONZE WORKS, INC.

2 Saddleback Cove / P.O. Box 1088
Travelers Rest, SC 29690

Model No.

B-0597-EE

Item No.

Travelers Rest, SC: 800-476-4103 • Simi Valley, CA: 800-423-0150 • Fax: 864-834-3518 • www.tsbrass.com

This Space for Architect/Engineer Approval

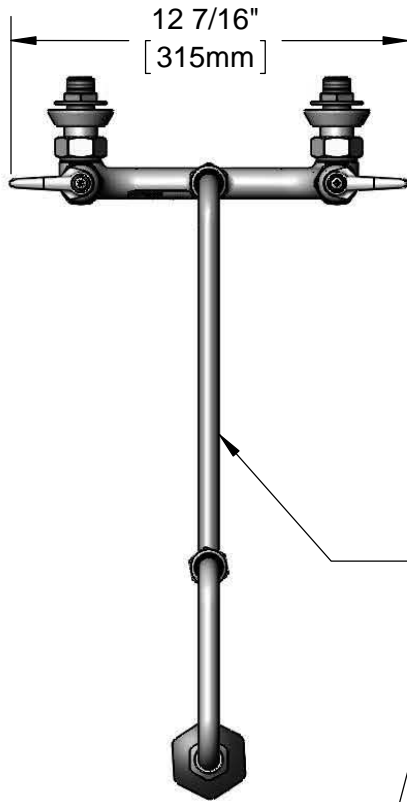
Job Name _____ Date _____

Model Specified _____ Quantity _____

Customer/Wholesaler _____

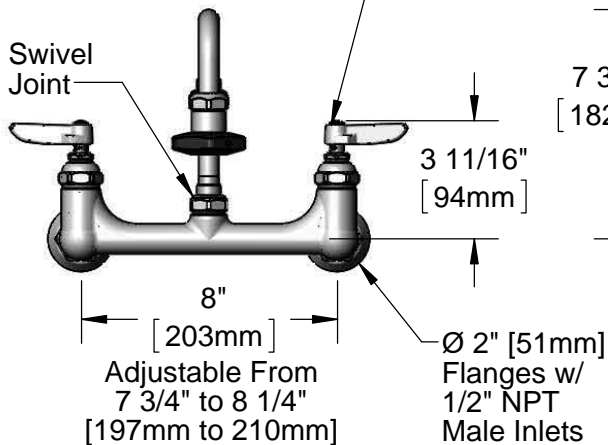
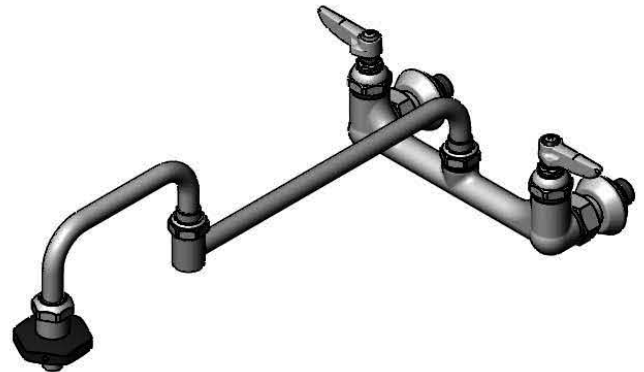
Contractor _____

Architect/Engineer _____



18" Double Joint Swing Nozzle w/ Heat Resistant "On-Off" Handle

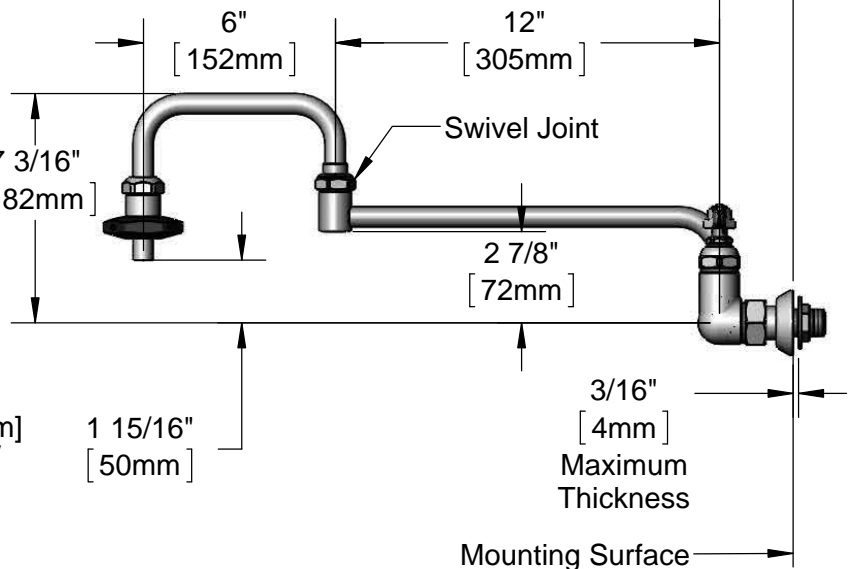
Quarter-Turn Eterna Cartridges w/ Spring Checks & Lever Handles w/ Color Coded Indexes



Swivel Joint

Adjustable From 7 3/4" to 8 1/4" [197mm to 210mm]

Ø 2" [51mm] Flanges w/ 1/2" NPT Male Inlets



Swivel Joint

3/16" [4mm] Maximum Thickness

Mounting Surface

Rough-In Requirement:
(2) Ø 1" [25mm] Mounting Holes

Product Specifications:
8" Pot Filler Mixing Faucet, Quarter-Turn Eterna Cartridges w/ Spring Checks, Lever Handles, 18" Double Joint Swing Nozzle, Heat Resistant Handle & 1/2" NPT Male Inlets

Product Compliance:
ASME A112.18.1 / CSA B125.1
NSF 61 - Section 9
NSF 372 (Low Lead Content)



T&S BRASS AND BRONZE WORKS, INC.

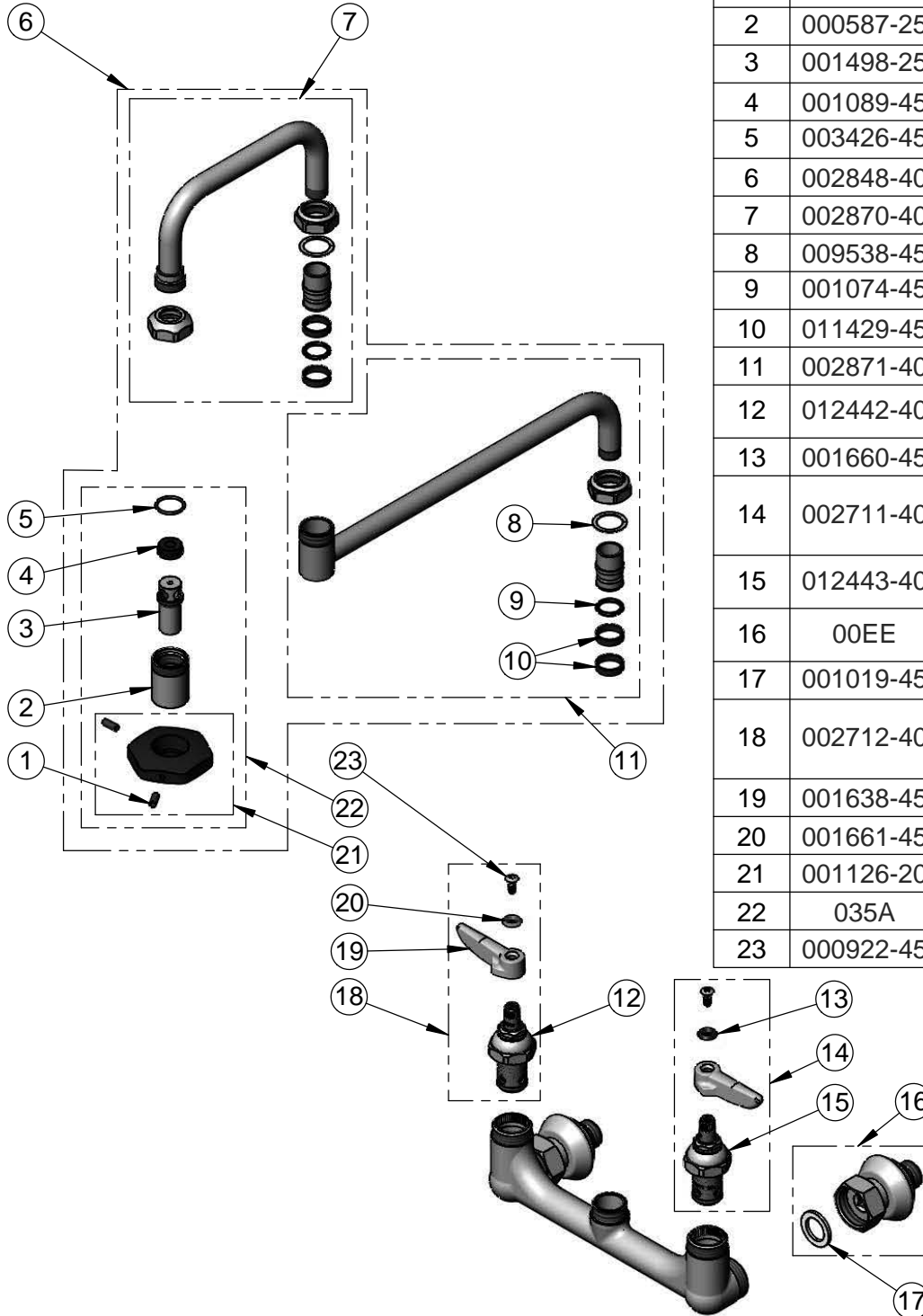
2 Saddleback Cove / P.O. Box 1088
Travelers Rest, SC 29690

Model No.

B-0597-EE

Item No.

Travelers Rest, SC: 800-476-4103 • Simi Valley, CA: 800-423-0150 • Fax: 864-834-3518 • www.tsbrass.com



ITEM NO.	SALES NO.	DESCRIPTION
1	000936-45	Handle Set Screw
2	000587-25	Spout Body
3	001498-25	Spout
4	001089-45	Seal
5	003426-45	O-Ring
6	002848-40	18" Double Joint Nozzle
7	002870-40	6" Front Section
8	009538-45	Swivel Washer
9	001074-45	O-Ring
10	011429-45	Swivel Sleeves (2)
11	002871-40	12" Back Section
12	012442-40	Quarter-Turn Eterna Cartridge, LTC w/ Spring Check
13	001660-45	Blue Index-CW
14	002711-40	Quarter-Turn Eterna Cartridge, LTC w/ Spring Check, Handle, Index & Screw
15	012443-40	Quarter-Turn Eterna Cartridge, RTC w/ Spring Check
16	00EE	1/2" NPT Male Inlet w/ Adjustable Flange
17	001019-45	Coupling Nut Washer
18	002712-40	Quarter-Turn Eterna Cartridge, RTC w/ Spring Check, Handle, Index & Screw
19	001638-45	Lever Handle
20	001661-45	Red Index-HW
21	001126-20	Handle w/ (2) Set Screws
22	035A	Outlet
23	000922-45	Lever Handle Screw

Product Specifications:

8" Pot Filler Mixing Faucet, Quarter-Turn Eterna Cartridges w/ Spring Checks, Lever Handles, 18" Double Joint Swing Nozzle, Heat Resistant Handle & 1/2" NPT Male Inlets

Product Compliance:

ASME A112.18.1 / CSA B125.1
NSF 61 - Section 9
NSF 372 (Low Lead Content)