



T&S BRASS AND BRONZE WORKS, INC.

2 Saddleback Cove / P.O. Box 1088
Travelers Rest, SC 29690

Model No.

B-0597-LF20

Item No.

Travelers Rest, SC: 800-476-4103 • Simi Valley, CA: 800-423-0150 • Fax: 864-834-3518 • www.tsbrass.com

This Space for Architect/Engineer Approval

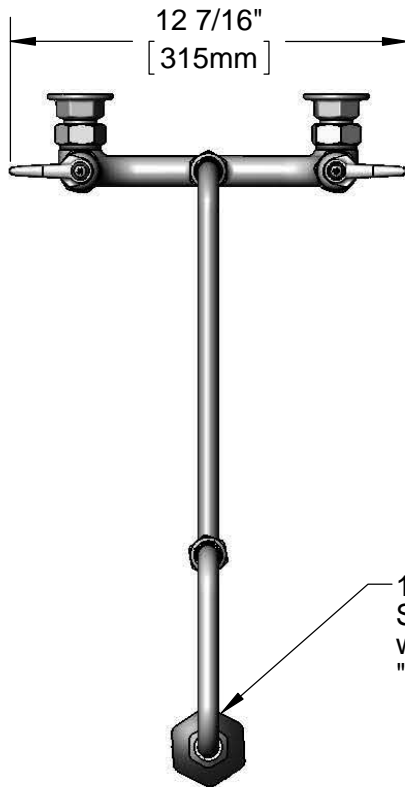
Job Name _____ Date _____

Model Specified _____ Quantity _____

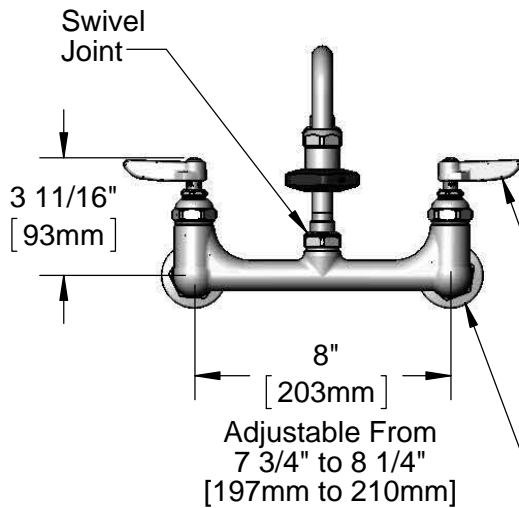
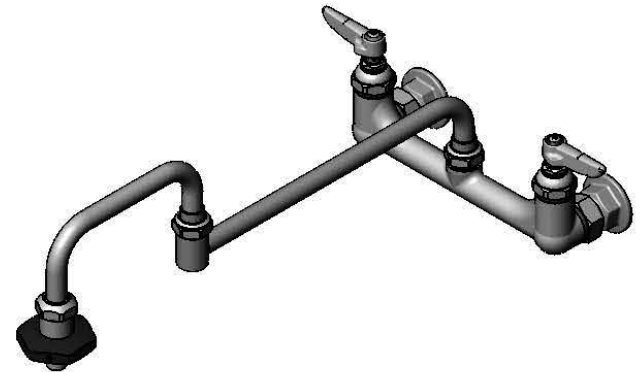
Customer/Wholesaler _____

Contractor _____

Architect/Engineer _____

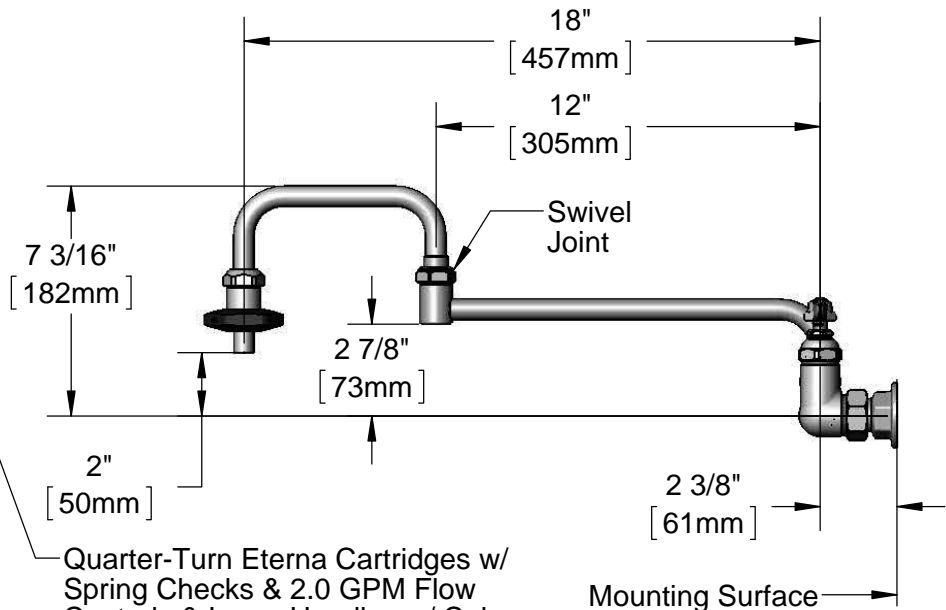


18" Double Joint
Swing Nozzle
w/ Heat Resistant
"On-Off" Handle



Swivel
Joint

Adjustable From
7 3/4" to 8 1/4"
[197mm to 210mm]



Quarter-Turn Eterna Cartridges w/
Spring Checks & 2.0 GPM Flow
Controls & Lever Handles w/ Color
Coded Indexes

Ø2" [51mm]
Flanges w/
1/2" NPT
Female Inlets

Product Specifications:

8" Wall Mount Mixing Faucet, Quarter-Turn Eterna Cartridges w/ Spring Checks & 2.0 GPM Flow Controls, Lever Handle, 18" Double Joint Swing Nozzle w/ Heat Resistant Handle & 1/2" NPT Female Inlets

Product Compliance:

ASME A112.18.1 / CSA B125.1
NSF 61 - Section 9
NSF 372 (Low Lead Content)



T&S BRASS AND BRONZE WORKS, INC.

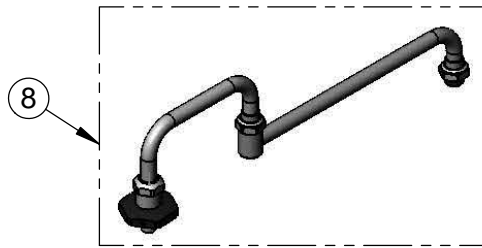
2 Saddleback Cove / P.O. Box 1088
Travelers Rest, SC 29690

Model No.

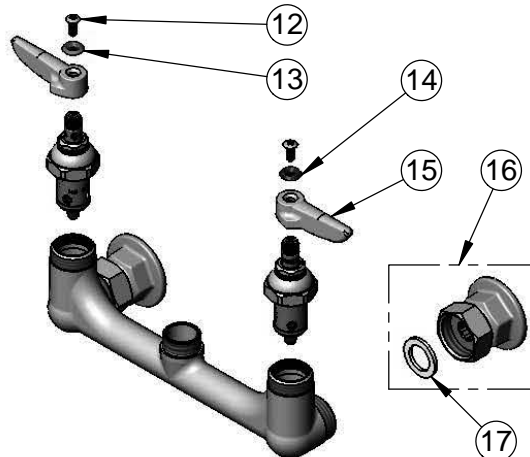
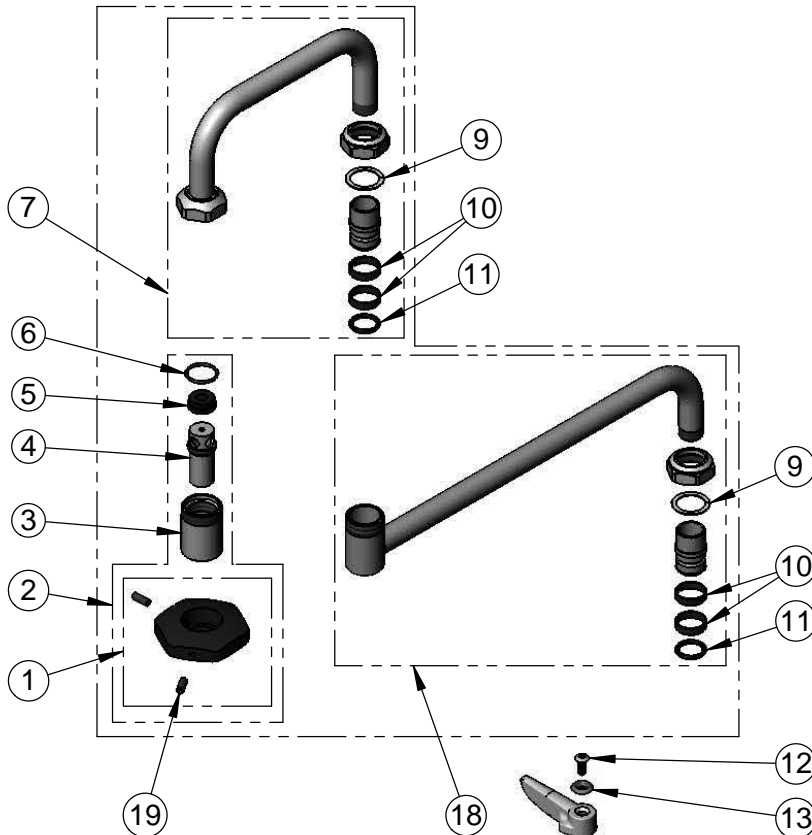
B-0597-LF20

Item No.

Travelers Rest, SC: 800-476-4103 • Simi Valley, CA: 800-423-0150 • Fax: 864-834-3518 • www.tsbrass.com



Additional View for Bill of Material Clarification w/o Faucet



ITEM NO.	SALES NO.	DESCRIPTION
1	001126-20	Handle w/ (2) Set Screws
2	035A	Outlet
3	000587-25	Spout Body
4	001498-25	Spout
5	001089-45	Seal
6	003426-45	O-Ring
7	002870-40	6" Front Section
8	002848-40	18" Double Joint Swing Nozzle w/ Heat Resistant Handle
9	009538-45	Swivel Washer
10	011429-45	Swivel Sleeves (2)
11	001074-45	O-Ring
12	000922-45	Lever Handle Screw
13	001661-45	Red Index-HW
14	001660-45	Blue Index-CW
15	001638-45	Lever Handle
16	00AA	1/2" NPT Female Eccentric Flange
17	001019-45	Coupling Nut Washer
18	002871-40	12" Back Section
19	000936-45	Handle Set Screw

Product Specifications:

8" Wall Mount Mixing Faucet, Quarter-Turn Eterna Cartridges w/ Spring Checks & 2.0 GPM Flow Controls, Lever Handle, 18" Double Joint Swing Nozzle w/ Heat Resistant Handle & 1/2" NPT Female Inlets

Product Compliance:

ASME A112.18.1 / CSA B125.1
NSF 61 - Section 9
NSF 372 (Low Lead Content)