



T&S BRASS AND BRONZE WORKS, INC.

2 Saddleback Cove / P.O. Box 1088
Travelers Rest, SC 29690

Model No.

B-0598

Item No.

Travelers Rest, SC: 800-476-4103 • Simi Valley, CA: 800-423-0150 • Fax: 864-834-3518 • www.tsbrass.com

This Space for Architect/Engineer Approval

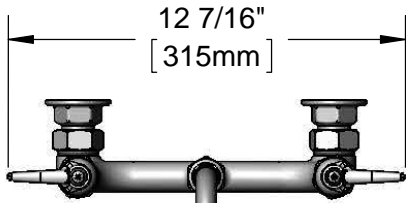
Job Name _____ Date _____

Model Specified _____ Quantity _____

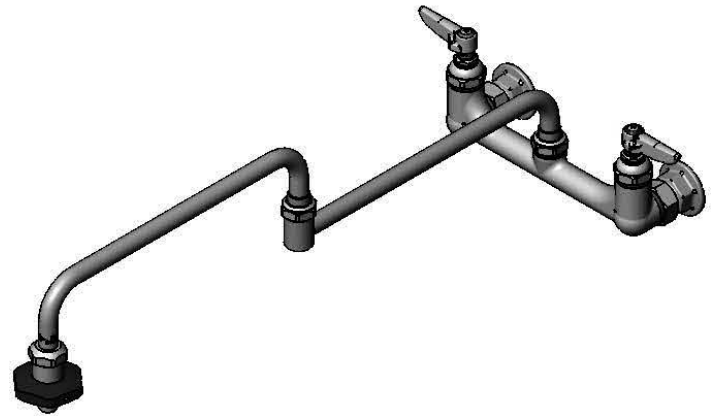
Customer/Wholesaler _____

Contractor _____

Architect/Engineer _____



12 7/16"
[315mm]



Quarter-Turn Eterna
Cartridges w/ Spring
Checks & Lever Handles
w/ Color Coded Indexes

Swivel
Joint

3 11/16"
[94mm]

8"
[203mm]
Adjustable From
7 3/4" to 8 1/4"
[197mm to 210mm]

Ø 2" [51mm]
Flanges w/
1/2" NPT
Female Inlets

Heat Resistant
"On-Off" Handle

24"
[610mm]

12"
[305mm]

2 1/16"
[53mm]

Swivel Joint

7 1/4"
[183mm]

2 7/8"
[72mm]

2 3/8"
[61mm]

Mounting Surface

Product Specifications:

8" Wall Mount Pot Filler Mixing Faucet, Quarter-Turn Eterna Cartridges w/ Spring Checks, Lever Handles, 24" Double Joint Swing Nozzle, Heat Resistant Handle & 1/2" NPT Female Inlets

Product Compliance:

ASME A112.18.1 / CSA B125.1
NSF 61 - Section 9
NSF 372 (Low Lead Content)



T&S BRASS AND BRONZE WORKS, INC.

2 Saddleback Cove / P.O. Box 1088
Travelers Rest, SC 29690

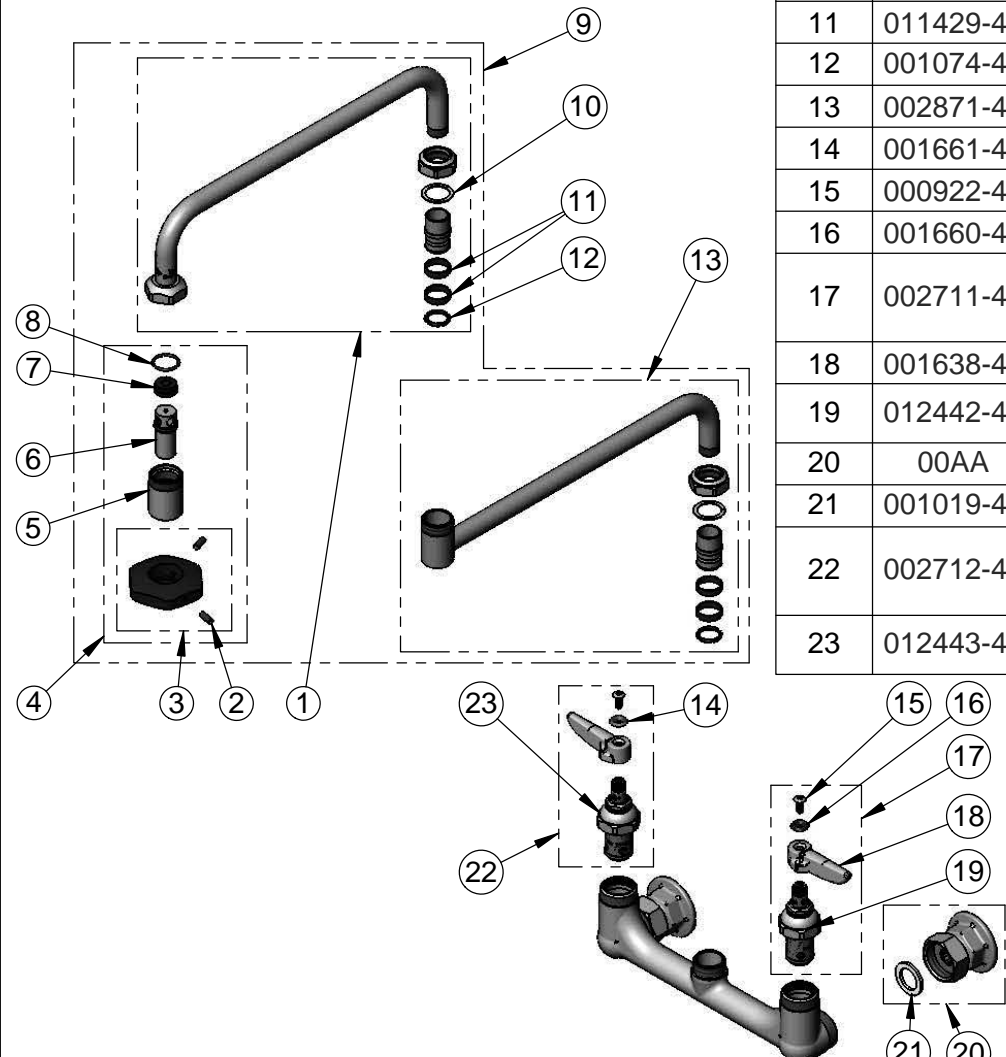
Model No.

B-0598

Item No.

Travelers Rest, SC: 800-476-4103 • Simi Valley, CA: 800-423-0150 • Fax: 864-834-3518 • www.tsbrass.com

ITEM NO.	SALES NO.	DESCRIPTION
1	002869-40	12" Front Section
2	000936-45	Handle Set Screw
3	001126-20	Handle w/ (2) Set Screws
4	035A	Outlet
5	000587-25	Spout Body
6	001498-25	Spout
7	001089-45	Seal
8	003426-45	O-Ring
9	002872-40	24" Double Joint Nozzle
10	009538-45	Swivel Washer
11	011429-45	Swivel Sleeves (2)
12	001074-45	O-Ring
13	002871-40	12" Back Section
14	001661-45	Red Index-HW
15	000922-45	Lever Handle Screw
16	001660-45	Blue Index-CW
17	002711-40	Quarter-Turn Eterna Cartridge, LTC w/ Spring Check, Handle, Index & Screw
18	001638-45	Lever Handle
19	012442-40	Quarter-Turn Eterna Cartridge, LTC w/ Spring Check
20	00AA	1/2" NPT Female Eccentric Flange
21	001019-45	Coupling Nut Washer
22	002712-40	Quarter-Turn Eterna Cartridge, RTC w/ Spring Check, Handle, Index & Screw
23	012443-40	Quarter-Turn Eterna Cartridge, RTC w/ Spring Check



Product Specifications:
8" Wall Mount Pot Filler Mixing Faucet, Quarter-Turn Eterna Cartridges w/ Spring Checks, Lever Handles, 24" Double Joint Swing Nozzle, Heat Resistant Handle & 1/2" NPT Female Inlets

Product Compliance:
ASME A112.18.1 / CSA B125.1
NSF 61 - Section 9
NSF 372 (Low Lead Content)