



T&S BRASS AND BRONZE WORKS, INC.
 2 Saddleback Cove / P.O. Box 1088
 Travelers Rest, SC 29690

Model No.
B-0600-36H

Item No.

Travelers Rest, SC: 800-476-4103 • Simi Valley, CA: 800-423-0150 • Fax: 864-834-3518 • www.tsbrass.com

This Space for Architect/Engineer Approval

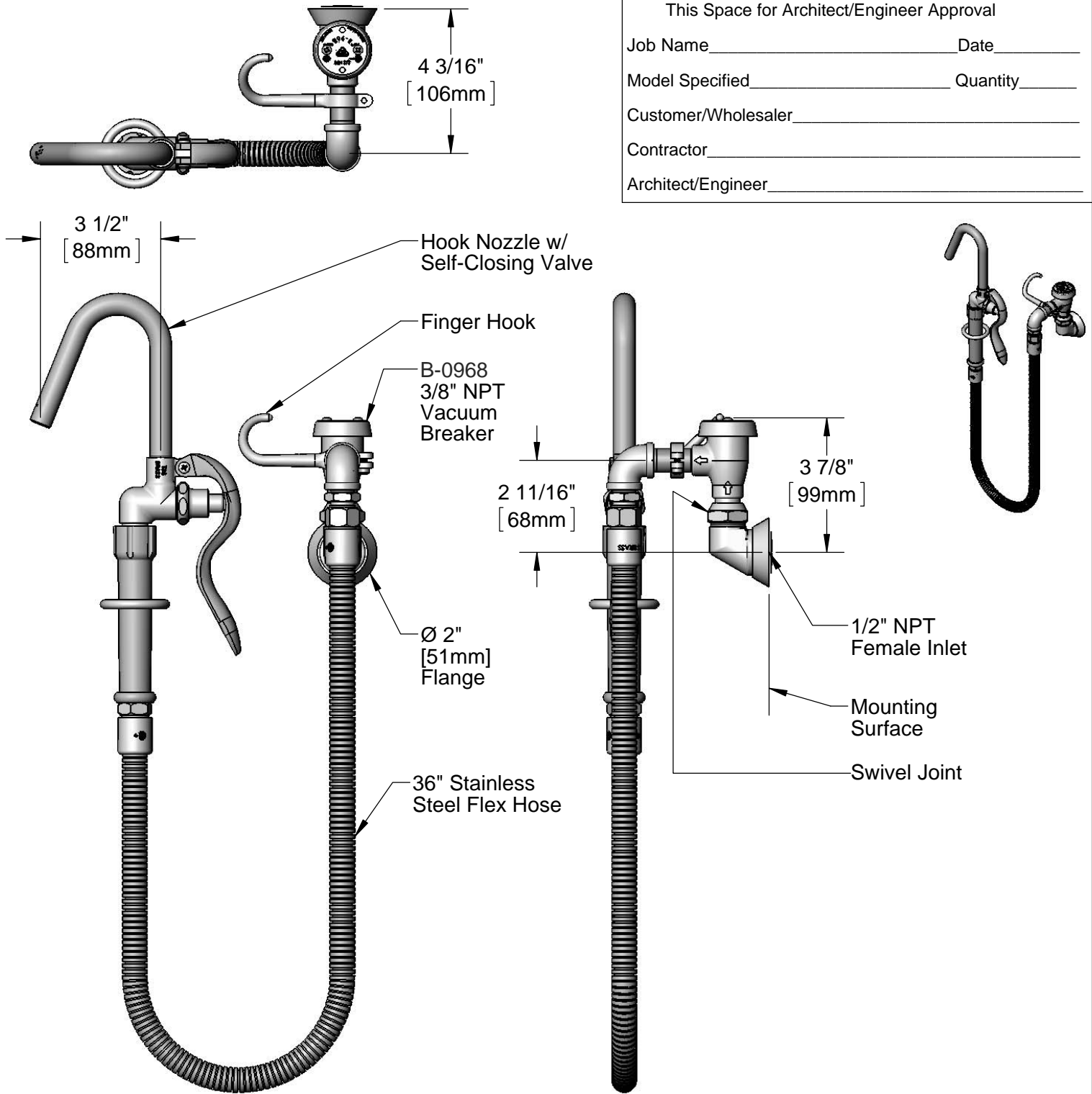
Job Name _____ Date _____

Model Specified _____ Quantity _____

Customer/Wholesaler _____

Contractor _____

Architect/Engineer _____



Product Specifications:
 Wall Mount Swivel Pot Filler w/ 36" Stainless Steel Flex Hose,
 Hook Nozzle, 3/8" Vacuum Breaker & 1/2" NPT Female Inlet

Drawn KJG	Checked JRM	Approved JHB
Scale: 1:4		Date: 03/01/13



T&S BRASS AND BRONZE WORKS, INC.

2 Saddleback Cove / P.O. Box 1088
Travelers Rest, SC 29690

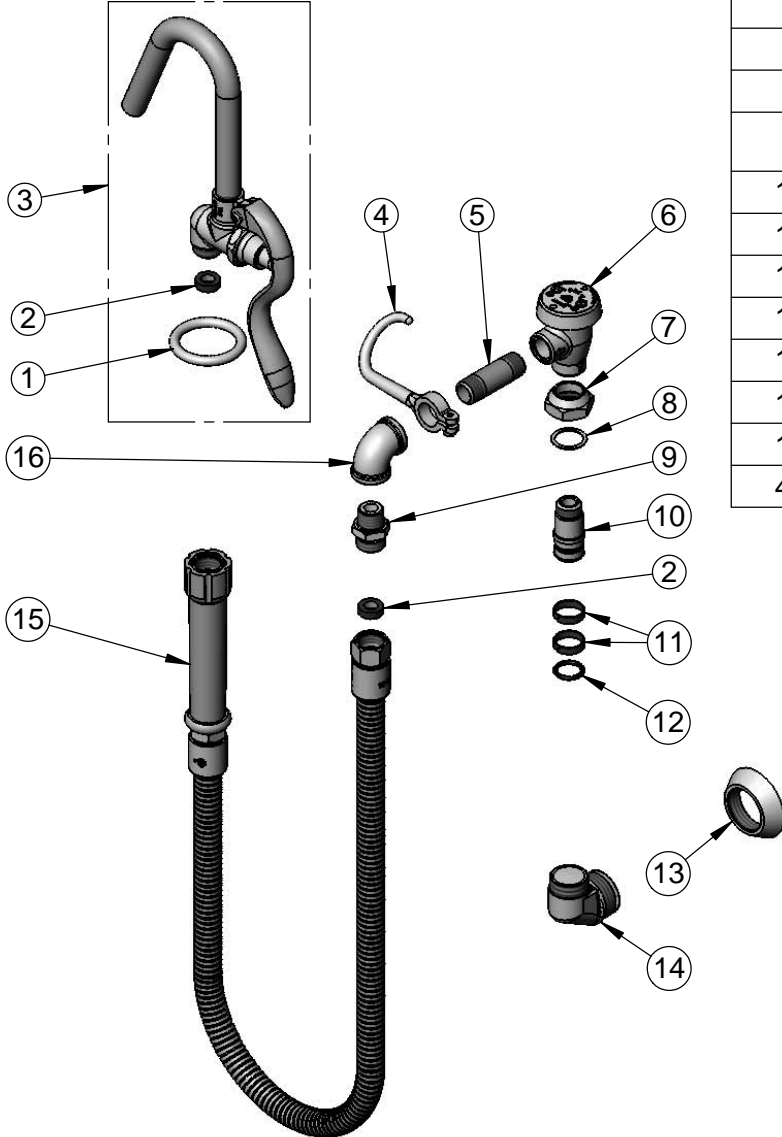
Model No.

B-0600-36H

Item No.

Travelers Rest, SC: 800-476-4103 • Simi Valley, CA: 800-423-0150 • Fax: 864-834-3518 • www.tsbrass.com

ITEM NO.	SALES NO.	DESCRIPTION
1	000907-45	Spray Valve Hold Down Ring
2	010476-45	#27 Washer
3	002851-40	Hook Nozzle & Spray Valve
4	004R	Finger Hook
5	000357-40	Nipple, 3/8" NPT x 2"
6	B-0968	3/8" NPT Vacuum Breaker
7	000711-40	Swivel Nut
8	009E	Plastic Washer
9	053A	Adapter, 3/8" NPT x 3/4"-14 UNS
10	000843-25	Swivel Body
11	011429-45	Swivel Sleeves (2)
12	001074-45	O-Ring
13	000101-40	Flange
14	000181-40	B-0580 Body
15	B-0036-H	36" Flex Stainless Steel Hose
16	001355-40	Elbow, 3/8 NPT
45		



Product Specifications:

Wall Mount Swivel Pot Filler w/ 36" Stainless Steel Flex Hose,
Hook Nozzle, 3/8" Vacuum Breaker & 1/2" NPT Female Inlet

Drawn

KJG

Checked

JRM

Approved

JHB

Scale:

NTS

Date:

03/01/13